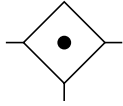


# Compressed Air Filters

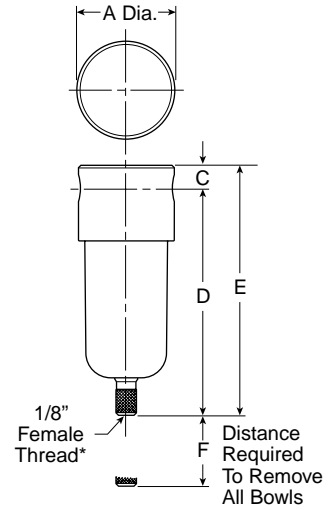
## Air Preparation Units

### FF501 Coalescing Filter - Miniature



#### Features

- Stainless steel construction handles most corrosive environments.
- Meets NACE specifications MR-01-75/ISO 15156.
- 1/8" female threaded drain\*.
- High Flow: 1/4" - 16 SCFM<sup>§</sup>



Port Size	NPT
	Manual Twist Drain
1/4"	<b>FF501-02DHSS</b>

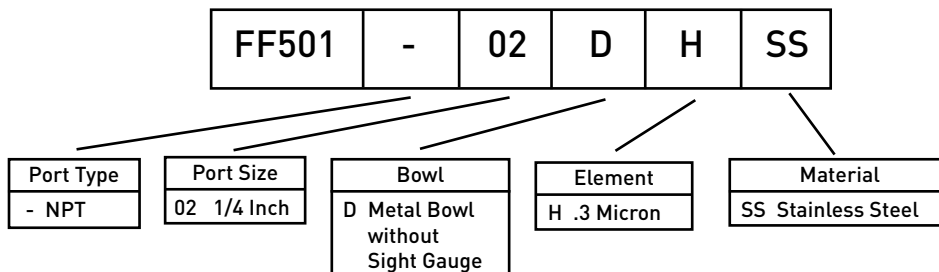
Standard part numbers shown bold. For other models refer to ordering information below.

SCFM = Standard cubic feet per minute at 90 PSIG inlet and 5 PSIG pressure drop.

F501 Coalescing Filter Dimensions		
<b>A</b>	<b>C</b>	<b>D</b>
1.56 (40)	0.31 (8)	3.69 (94)
<b>E</b>	<b>F</b>	
4.00 (102)	1.58 (40)	

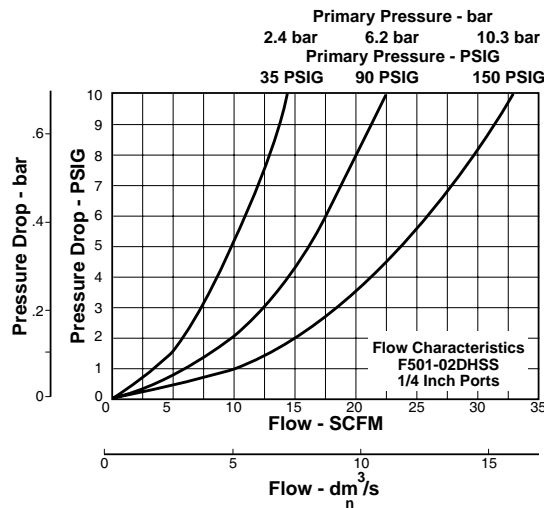
inches  
(mm)

#### Ordering Information



# Compressed Air Filters

## Air Preparation Units - F501 Series Technical Information



### FF501 Filter Kits & Accessories

Filter Element Kits -	
0.3 Micron .....	EKF31
Manual Twist Drain -	
Small (Old) .....	SA600Y7-1SS
Large (New) .....	SAP05481
Pipe Nipple -	
1/4" 316 Stainless Steel .....	616Y28-SS

### Specifications

Bowl Capacity .....	1.0 Ounces
Filter Rating .....	0.3 Micron
Port Threads .....	1/4 Inch
Pressure & Temperature Ratings -	
Manual Twist Drain .....	0 to 300 PSIG (0 to 20.7 bar)

0°F to 180°F (-18°C to 82°C)

Note: Air must be dry enough to avoid ice formation at temperatures below 32°F (2°C)  
 Sump Capacity ..... 0.4 Ounce  
 Weight ..... 0.6 lb. (0.27 kg)

### Materials of Construction

Body .....	316 Stainless Steel
Bowls .....	316 Stainless Steel
Drain .....	316 Stainless Steel
Element Holder .....	Acetal
Filter Element .....	Borosilicate Fiber
Seals .....	Fluorocarbon