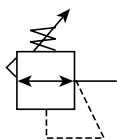


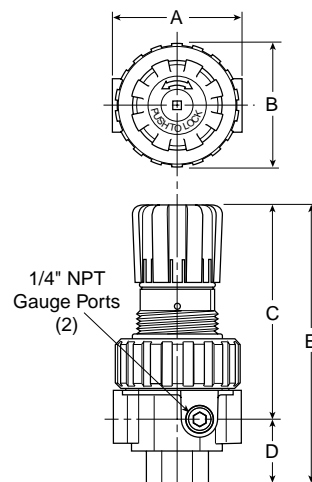
Compressed Air Filters

Air Preparation Units - 07R Regulators - Standard 3/8", 1/2", 3/4" NPT - Basic 1/2" Body



Features

- Secondary aspiration plus balanced poppet provides quick response and accurate pressure regulation.
- Rolling diaphragm for extended life.
- Two high flow 1/4" gauge ports can be used as additional outlets.
- Easily serviced.
- Removable non-rising knob for panel mounting and tamper resistance.
- High Flow: 3/8" - 70 SCFM[§]
1/2" - 90 SCFM[§]
3/4" - 90 SCFM[§]



| Port Size | NPT |
|---------------|----------|
| Without Gauge | |
| 3/8" | 07R213A* |
| 1/2" | 07R313A* |
| 3/4" | 07R413A* |

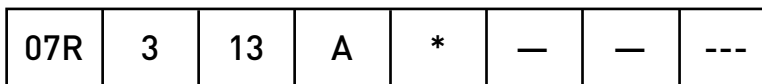
| 07R Regulator Dimensions | | |
|--------------------------|---------------|---------------|
| A | B | C |
| 3.24 (82) | 2.74 (70) | 4.79 (122) |
| D | E | |
| 1.61 (41) | 6.40 (163) | |

NOTE: 2.00 Dia. (51mm) hole required for panel mounting.

§ SCFM = Standard cubic feet per minute at 100 PSIG inlet, 90 PSIG no flow secondary setting and 10 PSIG pressure drop.

| |
|---|
| ⚠ WARNING |
| Product rupture can cause serious injury. Do not connect regulator to bottled gas. Do not exceed maximum primary pressure rating. |

Ordering Information



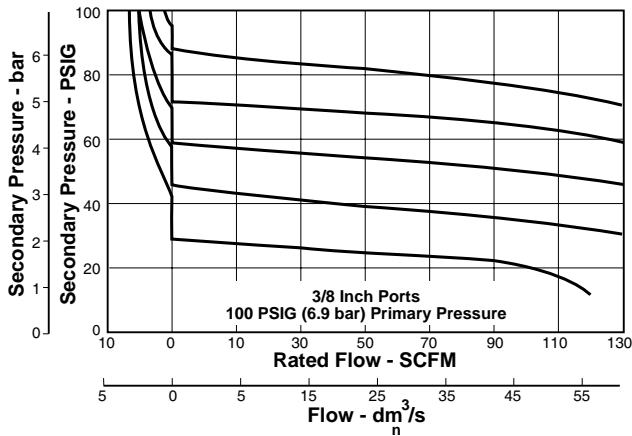
| | | | | | | |
|--|---|------------------------------|--|--|--|--|
| Port Size 2 3/8 Inch 3 1/2 Inch 4 3/4 Inch | Pressure Range Without Gauge 13 125 PSIG | Relief A Relieving | Engineering Level * Will be Entered at Factory | Port Type Blank NPT <small>* 3/8 & 1/2 inch meet ISO 1179-1 Standard.</small> | Options Blank No Options <small>† Inlet Pressure is 100 PSIG. For other pressures, contact factory.</small> | Preset / Pressure Limited Blank None |
|--|---|------------------------------|--|--|--|--|

Compressed Air Filters

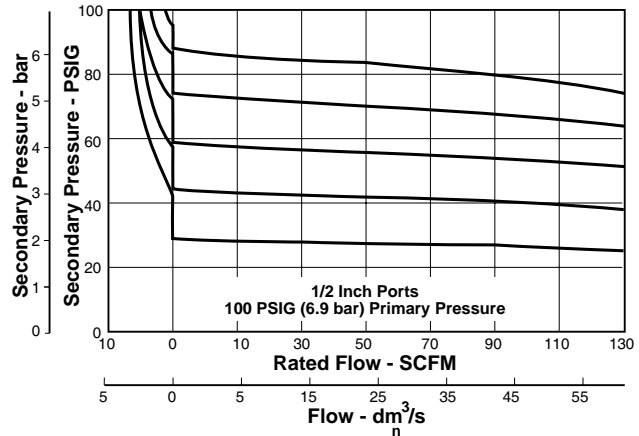
Air Preparation Units 07R Air Line Regulators

Technical Information

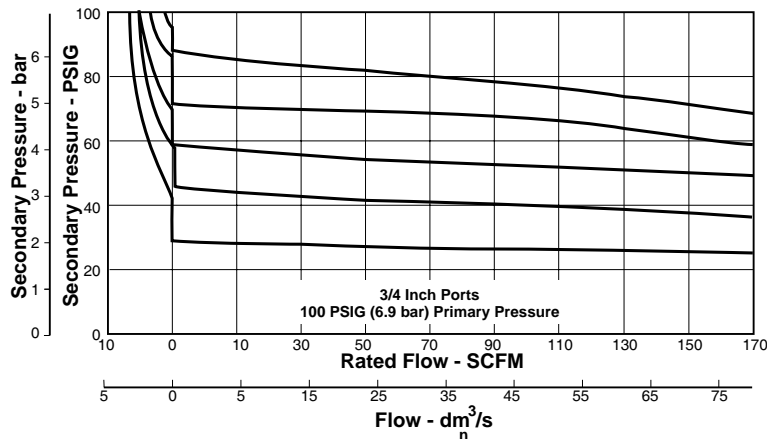
Relief And Flow Characteristics
07R213A*



Relief And Flow Characteristics
07R313A*



Relief And Flow Characteristics
07R413A*



CAUTION:

REGULATOR PRESSURE ADJUSTMENT -

The working range of knob adjustment is designed to permit outlet pressures within their full range. Pressure adjustment beyond this range is also possible because the knob is not a limiting device. This is a common characteristic of most industrial regulators, and limiting devices may be obtained only by special design.

For best performance, regulated pressure should always be set by increasing the pressure up to the desired setting.

07R Regulator Kits & Accessories

| | |
|---|-------------|
| Bonnet Assembly Kit | PS715P |
| Control Knob | P04069B |
| Gauges - 60 PSIG (0 to 4.1 bar) | K4520N14060 |
| 160 PSIG (0 to 11.0 bar) | K4520N14160 |
| Mounting Bracket Kit (Includes Panel Mount Nut) | PS807P |
| Panel Mount Nut - Plastic | P04082 |
| Metal | P04079B |
| Service Kit - Relieving (Includes Poppet) | PS808P |
| Springs - 2-125 PSIG Range | P04063 |
| Tamperproof Kit | PS737P |

Specifications

| | |
|---|------------------------------|
| Gauge Ports (2) | 1/4 Inch |
| [Can be used as additional High Flow 1/4 Inch Outlet Ports] | |
| Port Threads | 3/8, 1/2, 3/4 Inch |
| Primary Pressure Rating - | |
| Maximum Primary Pressure | 250 PSIG (17.2 bar) |
| Secondary Pressure Range - | |
| Standard Pressure | 2 to 125 PSIG (0 to 8.6 bar) |
| Temperature Rating | 32°F to 175°F (0°C to 80°C) |
| Weight | 2.5 lb. (1.1 kg) |

Materials of Construction

| | |
|---|-----------|
| Adjusting Stem | Steel |
| Body | Zinc |
| Bonnet, Piston Stem, Valve Poppet & Cap | Plastic |
| Collar, Knob | Plastic |
| Diaphragm | Nitrile |
| Seals | Nitrile |
| Springs - Poppet | Stainless |
| Control | Steel |

