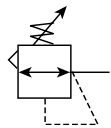


Compressed Air Filters

Air Preparation Units - FR364 Regulator -Miniature 1/4" Ports

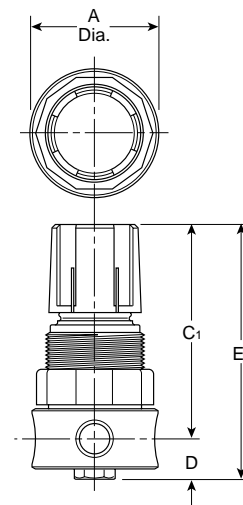


Features

- Stainless steel construction handles most corrosive environments.
- Large diaphragm to valve area ratio for precise regulation and high flow capacity.
- Meets NACE specifications MR-01-75/ISO 15156.
- High Flow: 1/4" – 12 SCFM[§]



R364



R364

Series	Adjustment Type	Port Size	NPT
FR364	Knob	1/4"	R364-02CSS

[§] SCFM = Standard cubic feet per minute at 100 PSIG inlet, 75 PSIG no flow secondary setting and 15 PSIG pressure drop.

R364 Regulator Dimensions	
A 1.56 (40)	C₁ 2.56 (65)
D 0.50 (13)	E₁ 3.06 (78)

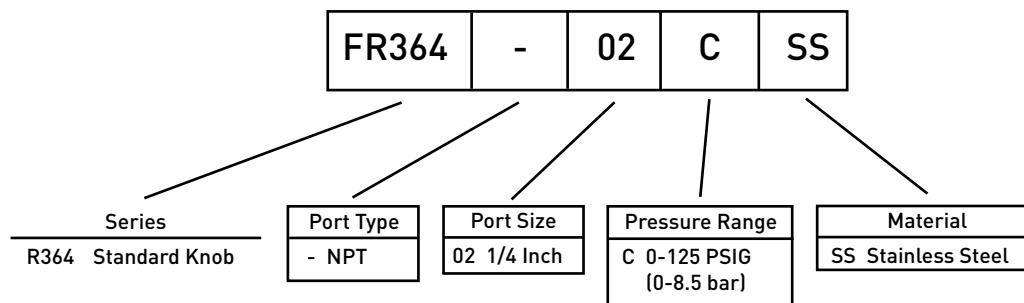
inches (mm)

NOTE: 1.25 Dia. (32mm) hole required for panel mounting.

WARNING

Product rupture can cause serious injury.
Do not connect regulator to bottled gas.
Do not exceed maximum primary pressure rating.

Ordering Information

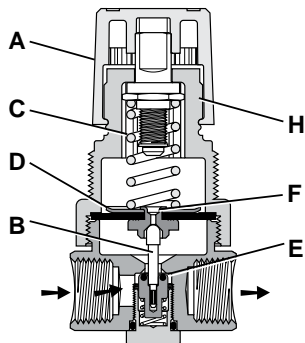


Compressed Air Filters

Air Preparation Units FR364 Air Line Regulators

Technical Information

Operation



FR364

With the adjusting knob (A) turned fully counter-clockwise (no spring load), and pressure supplied to the regulator inlet port, the valve poppet assembly (B) is closed. Turning the adjusting knob clockwise applies a load to control spring (C). This load causes the diaphragm (D) and the valve poppet assembly (B) to move downward allowing flow across the seat area (E) created between the poppet assembly and the seat. Pressure in the downstream line is sensed below the diaphragm (D) and offsets the load of spring (C). As downstream pressure rises, poppet assembly (B) and diaphragm (D) move upward until the area (E) is closed and the load of the spring (C) and pressure under diaphragm (D) are in balance. A reduced outlet pressure has now been obtained, depending on spring load. Creating a demand downstream, such as opening a valve, results in a reduced pressure under the diaphragm (D). The load of control spring (C) now causes the poppet assembly to move downward opening seat area (E) allowing air to flow to meet the downstream demand. The flow of downstream air is metered by the amount of opening (E).

Should downstream pressure exceed the desired regulated pressure, the excess pressure will cause the diaphragm (D) to move upward against control spring (C), open vent hole (F), and vent the excess pressure to atmosphere through the hole in the bonnet (H). (This occurs in the relieving type regulator only.)

Technical Information

CAUTION:

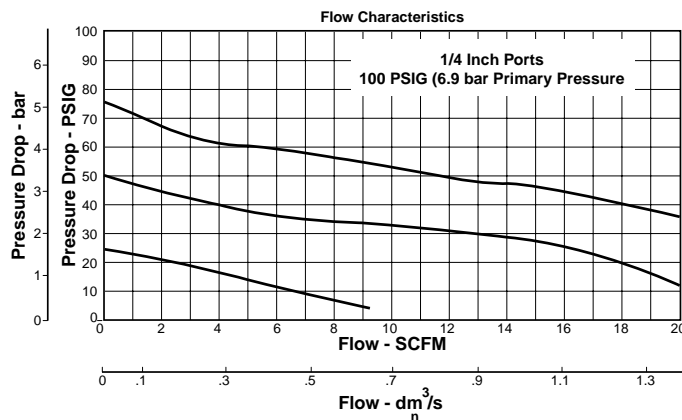
REGULATOR PRESSURE ADJUSTMENT -

The working range of knob adjustment is designed to permit outlet pressures within their full range. Pressure adjustment beyond this range is also possible because the knob is not a limiting device. This is a common characteristic of most industrial regulators, and limiting devices may be obtained only by special design.

For best performance, regulated pressure should always be set by increasing the pressure up to the desired setting.

FR364 Regulator Kits & Accessories

R364 Bonnet Kit (Knob Included)	CKR364YSS
Gauge -	
160 PSIG (0 to 1100 kPa)	K4515N14160SS
Panel Mount Bracket (Stainless)	161X57-SS
Panel Mount Nut -	
Stainless	R05X51-SS
Plastic	R05X51-P
Service Kit -	
Relieving	RKR364YSS
Springs -	
0-125 PSIG Range	SPR-377-1-SS



Specifications

Gauge Port	1/4 Inch
Operation	Fluorocarbon Diaphragm
Port Threads	1/4 Inch
Pressure & Temperature Ratings -	300 PSIG Max (20.7 bar)
	40°F to 150°F [4°C to 66°C]
Weight	0.5 lb. (0.23 kg)

Materials of Construction

Adjustment Mechanism / Springs	316 Stainless Steel
Adjusting Knob (R364)	Polypropylene
Body	316 Stainless Steel
Bonnet (R364)	Acetal
Bottom Plug	316 Stainless Steel
Poppet	316 Stainless Steel
Seals	Fluorocarbon

