

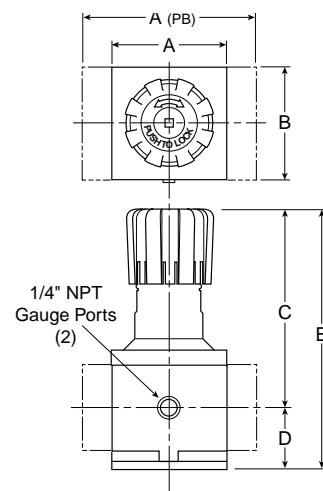
Compressed Air Filters

Air Preparation Units - P3NR Regulators - High Flow 3/4", 1", 1 1/2" NPT - Basic 1" Body



Features

- Port blocks (PB) available to provide 1-1/2" port extension to 1" ported bodies.
- Self relieving feature plus balanced poppet provides quick response and accurate pressure regulation.
- Solid control piston for extended life.
- High Flow: 3/4" - 200 SCFM[§]
1" - 300 SCFM[§]
1 1/2" - 300 SCFM[§]



Port Size	NPT
Without Gauge	
3/4"	P3NRA96BNN
1"	P3NRA98BNN
1 1/2"	P3NRA9PBNN

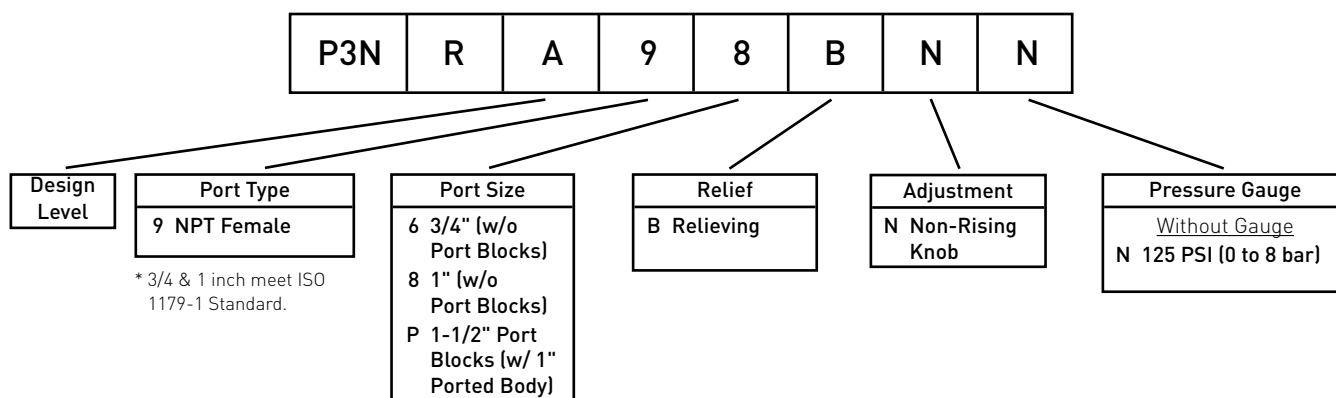
P3NR Regulator Dimensions		
A	A ^(PB)	B
3.62 (92)	5.91 (150)	3.62 (92)
C	D	E
6.38 (162)	2.08 (53)	8.46 (215)

NOTE: 2.00 Dia. (51mm) hole required for panel mounting.

§ SCFM = Standard cubic feet per minute at 100 PSIG inlet, 90 PSIG no flow secondary setting and 10 PSIG pressure drop.

	WARNING
<p>Product rupture can cause serious injury. Do not connect regulator to bottled gas. Do not exceed maximum primary pressure rating.</p>	

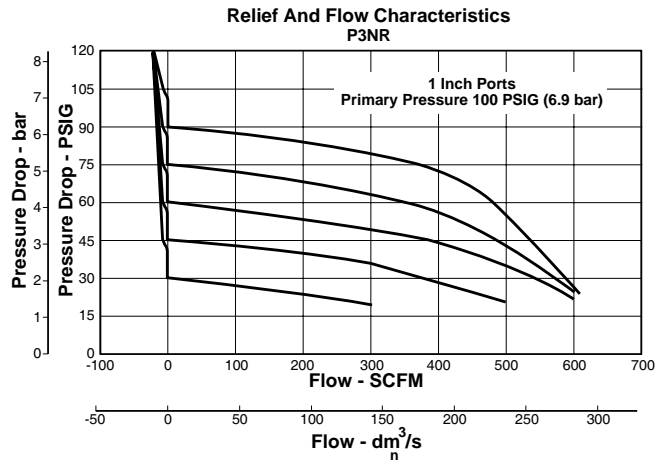
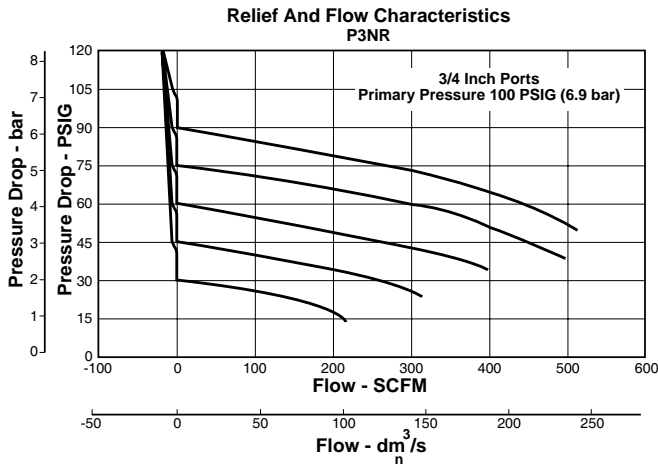
Ordering Information



Compressed Air Filters

Air Preparation Units - P3NR Air Line Regulators

Technical Information

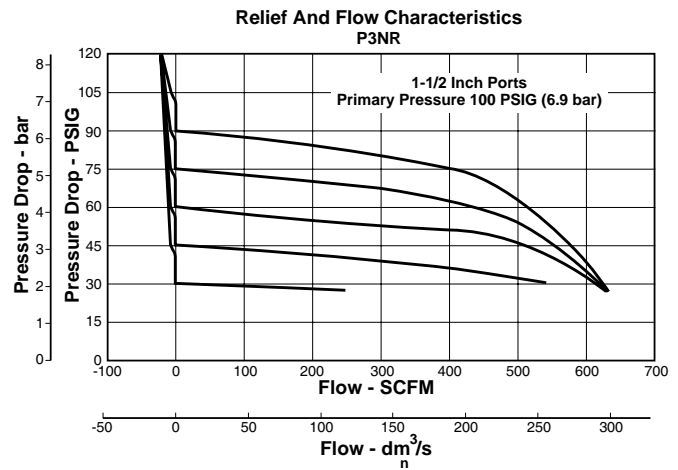


CAUTION:

REGULATOR PRESSURE ADJUSTMENT –

The working range of knob adjustment is designed to permit outlet pressures within their full range. Pressure adjustment beyond this range is also possible because the knob is not a limiting device. This is a common characteristic of most industrial regulators, and limiting devices may be obtained only by special design.

For best performance, regulated pressure should always be set by increasing the pressure up to the desired setting.



P3NR Regulator Kits & Accessories

- Control Knob P3NKA00PN
- Gauges – 60 PSIG (0 to 4.1 bar) K4520N14060
- 160 PSIG (0 to 11.0 bar) K4520N14160
- Mounting Bracket Kit* P3NKA00MW
- Service Kit – Relieving P3NKA00RR
- Springs – 2-125 PSIG Range C10A1308

Specifications

- Gauge Ports (2) 1/4 Inch
(Can be used as additional High Flow 1/4 Inch Outlet Ports)
- Port Threads 3/4, 1, 1-1/2 Inch

- Primary Pressure Rating –
Maximum Primary Pressure 250 PSIG (17.2 bar)
- Secondary Pressure Range –
Standard Pressure 2 to 125 PSIG (0 to 8.6 bar)
- Temperature Rating 32°F to 175°F (0°C to 80°C)

- Weight – 3/4" 4.2 lb. (1.9 kg)
- 1" 4.2 lb. (1.9 kg)
- 1½" † 5.3 lb. (2.4 kg)

Materials of Construction

- Adjusting Stem Steel
- Body Aluminum
- Bonnet Aluminum
- Knob Plastic
- Piston Plastic
- Poppet Assembly Brass
- Seals Nitrile
- Springs – Poppet & Control Steel

† 1" Port Body with 1½" Port Block.

