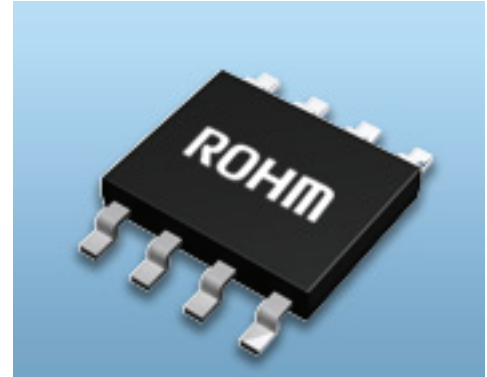


Buck DC/DC Converters

ROHM's BD9328EFJ and BD9329AEFJ synchronous rectification step-down switching regulators integrate 2 low resistance N-channel MOSFETs and feature high current output over a wide input supply range. In addition, current-mode operation provides fast transient response along with easy phase compensation. An optimized design reduces the number of external components required, minimizing costs.



Applications

- Printers
- LCD TVs
- Home appliances
- Distributed power systems
- Secondary power supplies
- BD/DVD players
- DSL/cable modems
- Set top boxes

Key Features

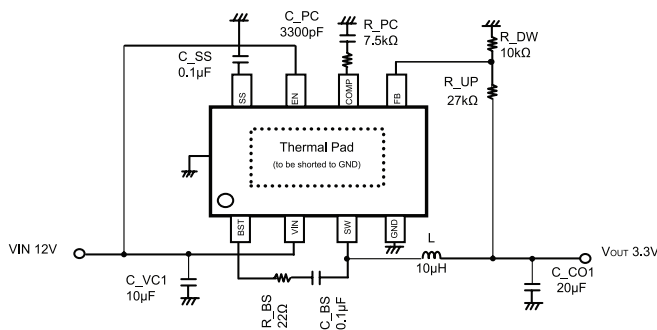
- Wide input voltage range: 4.2V -18V
- High output current: 2A (BD9328EFJ) / 3A (BD9329AEFJ)
- High Side/Low Side ON resistance: 0.15/0.13Ω
- Supports low ESR ceramic capacitors
- Low standby current: 15uA (typ.)
- Operating frequency: 380kHz
- Feedback voltage: 0.9V ± 1.5% accuracy at room temperature
- Multiple protection circuits: UVLO, TSD, OCP
- Thermally enhanced HTSOP-J8 package
- Internal oscillator results in fewer external parts
- Soft start function prevents inrush current at startup
- Adjustable output voltage: 0.9V to $V_{in} \times 0.7V$

Pricing

BD9328EFJ-E2: *Min Quantity: 2500 LT:10 Price: \$0.40*

BD9329AEFJ-E2: *Min Quantity: 2500 LT:10 Price: \$0.46*

Evaluation boards are available.



*R_BS protect from VIN-BST short destruction.

