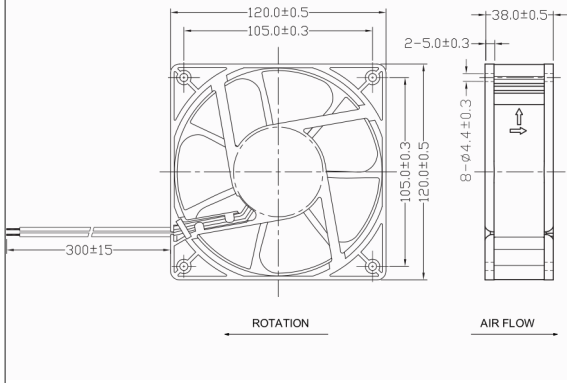
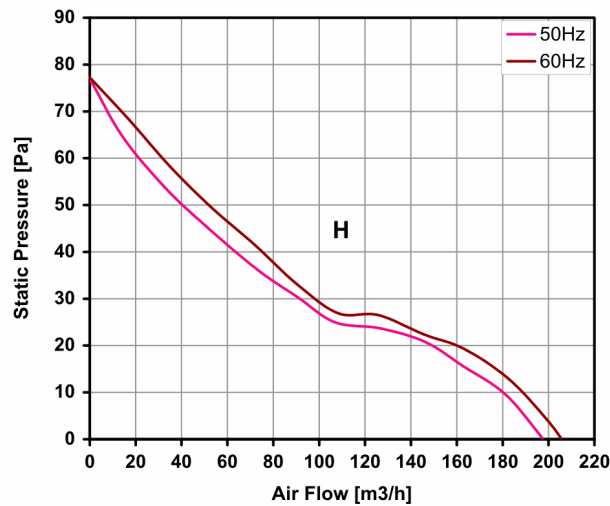
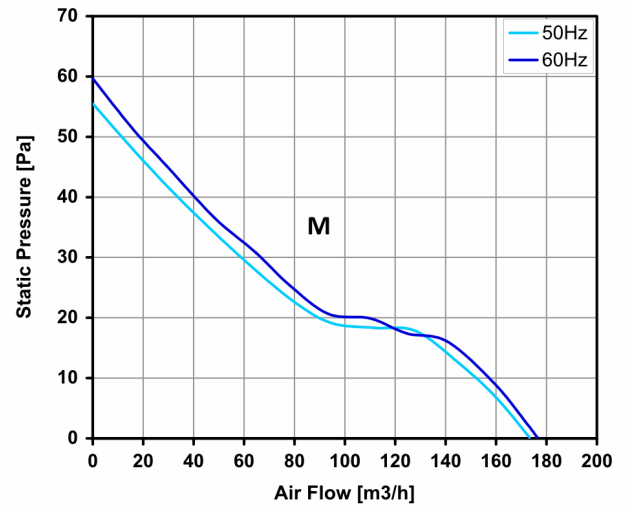
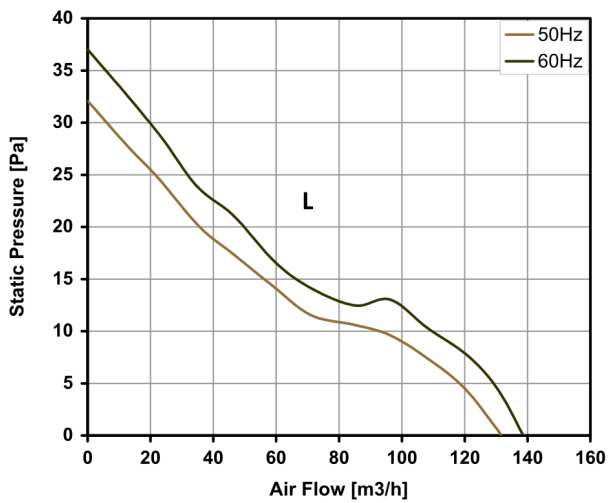


**"E12BL" SERIES COSTECH FANS**

Description: **EC Axial fan 120X120x38mm**



<b>Casing material:</b>	Thermoplastic in black color, UL 94 V-0
<b>Impeller material</b>	Thermoplastic in black color, UL 94 V-0
<b>Protection degree:</b>	IP20, according to EN 60529 standard
<b>Fixing system:</b>	by No 4 M4 screws
<b>Motor protection:</b>	Impedance
<b>Lifetime L10 at 25°C:</b>	ball bearing 50,000 h
<b>Electrical connection:</b>	2 leads 24 AWG UL1430
<b>Approvals:</b>	CE
<b>Weight:</b>	0.270 kg



All specifications, data and drawing are subject to change without notice and are approximate. Please refer to our terms of sales including our warranty and limited liabilities clauses.

Model	Bearing	Voltage	Frequency	Rated Current	Rated Power	Max Air Flow**	Static Pressure	Noise	RPM	Approvals
		(V)	(Hz)	(A)	(W)	(m3/h)	(Pa)	[db(A)]	(rpm)	
E12B23HWBL00	Ball	230 V a.c.	50/60	0.05/0.05	6.0/6.0	198/206	79/77	45/47	3,000/3,100	CE
E12B23LWBL00	Ball	230 V a.c.	50/60	0.03/0.03	2.5/2.5	132/138	32/37	34/36	2,000/2,100	CE
E12B23MWBL00	Ball	230 V a.c.	50/60	0.04/0.04	4.0/4.0	169/176	55/58	40/42	2,500/2,700	CE

data with uncertainty of 15% (T) terminals (W) wires