

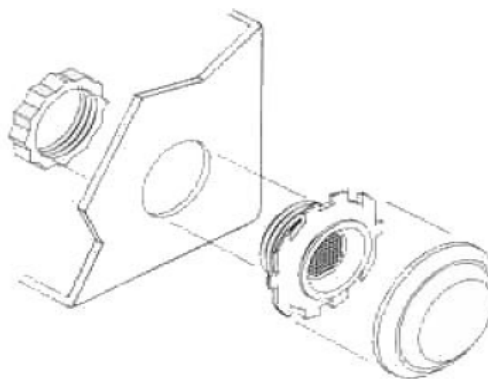
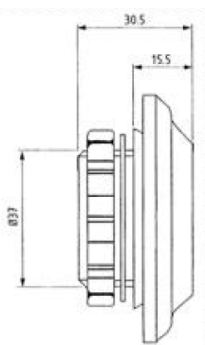
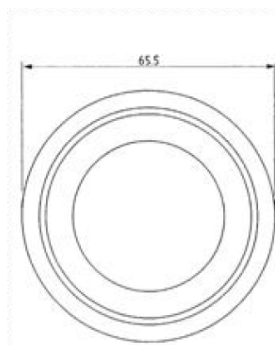
Accessories for fan filter CP-U55-00

Description: Pressure compensation device



Type of material:	PC/ABS Alloy, UL94V-0
Standard color:	RAL 7035
Protection degree:	IP55
Fixing system:	PG29 - Ø 37 mm
Torque:	5 Nm
Cross section:	1,5 cm ²
Storage temperature:	from -45°C to +70°C
Working temperature:	from -45°C to +70°C
Mounting position:	vertical
Weight:	0,030 Kg

Technical drawing



Model: CP-U55-00

The pressure compensation device has been developed to avoid the pressure compensation for temperature fluctuations across the seal.

Air pressure changes are compensated and the ingress of dirt and water is prevented.

Easy installation to any cabinet, even retrospectively.