

# Technical Data Sheet

## RRC-WPT-5WA10



### 5 Watt wireless power transmitter module

#### Features:

- Designed for Qi compliance<sup>1</sup>
- Plug & Play
- Automatic identification of the receiver side
- Integrated safety functions
- Foreign object detection
- Data communication<sup>2</sup>



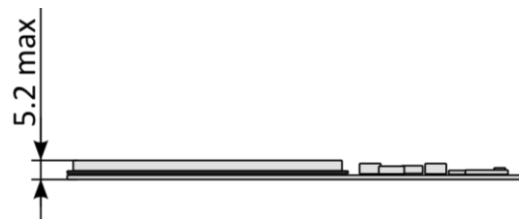
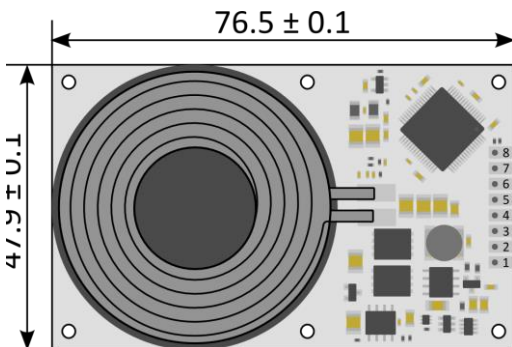
### Specification

#### Electrical information

Input voltage	19VDC ±1V
Input current	0.5A (max.)
Standby current	8mA (max.)
System efficiency	ca. 75% (dependent system topology)
Coil distance	Working zone: 3-8mm Optimized for 4mm distance

#### Mechanical Information

Connector type	8x1 2.54 mm header / solder pads
System dimensions	76.5mm x 47.9mm x 5.2mm
Mounting holes	6x Ø3.3mm mounting holes
Weight	ca. 30g



All dimensions in mm

#### Connector

1. V<sub>in</sub>
2. Power GND
3. I<sup>2</sup>C Clock
4. I<sup>2</sup>C Data
5. Signal GND
6. Status Out 1
7. Status Out 2
8. Status Out 3

#### Notes:

1. Qi (pronounced "chee" and chosen by the Wireless Power Consortium) is the sign of interoperability between power transmitters and power receivers.
2. Receiving of application specific data packets from the RRC-WPR-5WS1 power receiver.

#### Germany/Headquarters

RRC power solutions GmbH  
Technologiepark 1  
D-66424 Homburg / Saar

Tel.: +49 6841 98090  
Fax: +49 6841 9809280  
Email: sales@rrc-ps.de  
Web: www.rrc-ps.de

#### USA

RRC power solutions Inc.  
18340 Yorba Linda Blvd.,  
Suite 107-437  
Yorba Linda, CA 92886-4104

Tel.: +1 714 777 3604  
Fax: +1 714 777 3658  
Email: usa@rrc-ps.com  
Web: www.rrc-ps.com

#### Hong Kong

RRC power solutions Ltd.  
S-V,6/F, Valiant Industrial Centre  
2-12 Au Pui Wan Street  
Fo Tan, N.T., Hong Kong

Tel.: +852 2376 0106  
Fax: +852 2375 0107  
Email: hkrrc@rrc-ps.cn  
Web: www.rrc-ps.com

#### China

RRC power solutions Ltd.  
Room 520, Yuanlin Building,  
Aiguo Road No. 3066,  
Luohu District,  
Shenzhen 518021

Tel.: +86 755 8374 1908  
Fax: +86 755 8374 1861  
Email: hkrrc@rrc-ps.cn  
Web: www.rrc-ps.com