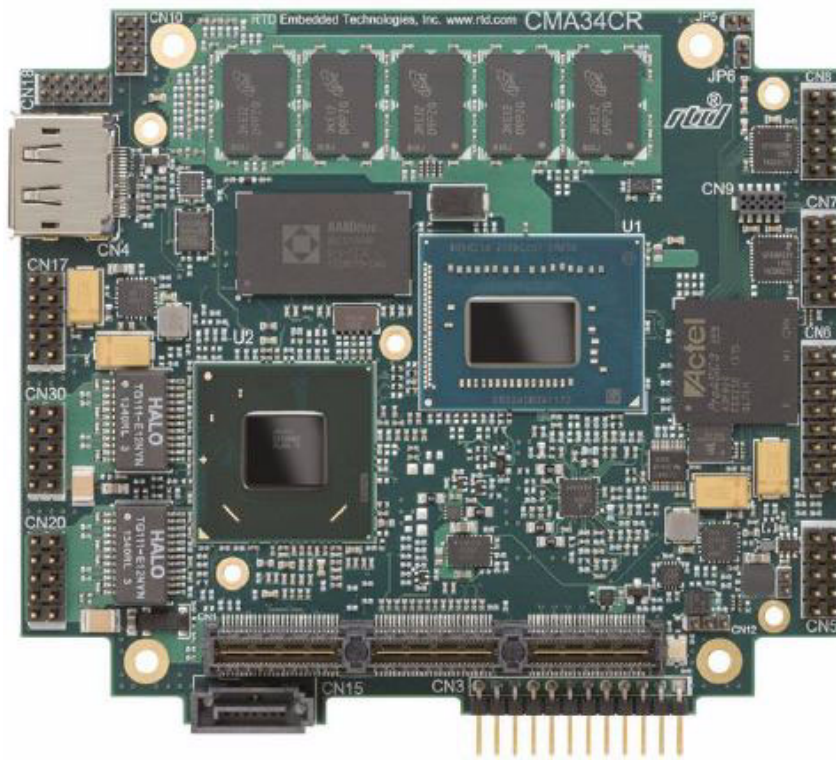


CMA34CR cpuModules™



User's Manual

BDM-61000083 Revision K



www.rtd.com

ISO9001 and AS9100 Certified


"Accessing the Analog World"

CMA34CR cpuModules™ User's Manual

RTD Document Number: BDM-610000083 Revision K

Copyright © 2009-2016 RTD Embedded Technologies, Inc. All rights reserved.

Trademarks

Advanced Analog I/O, Advanced Digital I/O, aAIO, aDIO, a2DIO, Autonomous SmartCal, "Catch the Express", cpuModule, dspFramework, dspModule, eBuild, expressMate, ExpressPlatform, "MIL Value for COTS prices", multiPort, PlatformBus, and PC/104EZ are trademarks, and "Accessing the Analog World", dataModule, IDAN, HiDAN, HiDANplus, RTD, the RTD logo, and StackNET are registered trademarks of RTD Embedded Technologies, Inc. (formerly Real Time Devices, Inc.). PS/2 is a trademark of International Business Machines Inc. PCI, PCI Express, and PCIe are trademarks of PCI-SIG. PC/104, PC/104-Plus, PCI-104, PCIe/104, PCI/104-Express and 104 are trademarks of the PC/104 Consortium. All other trademarks appearing in this document are the property of their respective owners.

Failure to follow the instructions found in this manual may result in damage to the product described in this manual, or other components of the system. The procedure set forth in this manual shall only be performed by persons qualified to service electronic equipment. Contents and specifications within this manual are given without warranty, and are subject to change without notice. RTD Embedded Technologies, Inc. shall not be liable for errors or omissions in this manual, or for any loss, damage, or injury in connection with the use of this manual.

Revision History

Revision	Date	Reason for Change
A	10/8/2014	Initial release. Added test results and made corrections throughout
B	10/23/2014	Updated Operating Temperature table with Quad Core temperature ranges.
C	11/19/2014	Removed unused sections, updated IDAN pinouts and back panel picture
D	12/17/2014	Updated temperature ratings, increased Serial UART from 64 to 512
E	1/14/2015	Updated Dual RS-422 Mode Table 24.
F	2/5/2015	Corrected "Disable Bus-Stack Error" Jumper setting
G	2/13/2015	Changed the ref designator for Fan Power connector, updated Sandra version, updated table 23., Added dimensioned IDAN drawing.
H	3/16/2015	Updated Dual RS232 mode pinout table, added a note to the PCIe connector
J	8/25/16	Updated the block diagram to show the Type 2 connector on the bottom
K		Removed reference to drive in Watchdog Timer section. Removed incorrect I/O port from Table 49. Added Power Differences to Migrating section. Changed USB and Utility Port connectors to include Shield Ground. Added MTBF. Corrected spelling errors in Table 2. Corrected IDAN COM Port pinout. Corrected default mode of SATA controller to AHCI. Updated Reset Register definition. Added serial port sections on Non-Standard Baud Rates, FIFO Size, and THRE Enhanced Mode.

CMA34CR cpuModules™

www.rtd.com



ISO9001 and AS9100 Certified



Table of Contents

Chapter 1 Introduction

CMA34CR cpuModules	2
aDIO	3
Ordering Information	4
CMA34CR Model Options	4
Cable Kits and Accessories	5
Board Features	6
I/O	7
RTD Enhanced BIOS	8
Block Diagram	9
Specifications	10
Physical Characteristics	10
Power Consumption	10
Operating Conditions.....	12
Electrical Characteristics	13
Migrating to RTD’s Intel Core i7 cpuModules	15
Power Differences.....	15
Connector Pinout & Function Differences	15
New I/O Connectors	15
Connector Differences	15
Software Differences	16
aDIO.....	16
UEFI Shell	16
Contact Information	17

Chapter 2 Getting Started

Connector Locations	20
Selecting the Stack Order for the CMA34CR	22
Stack Example	23
Connecting to the Stack	24
Power Input Connections	24
Connecting to the Utility Port 2.0	25
Booting the CMA34CR cpuModule for the First Time	25

Chapter 3 Connecting the cpuModule

Proper Grounding Techniques	28
Connector Locations	28
Auxiliary Power (CN3)	30
Utility Port 2.0 Connector (CN5)	31

.....	32
USB 2.0 Connector.....	32
Speaker.....	32
System Reset.....	32
SVGA Video Connector (CN18)	33
DisplayPort Connector (CN4)	34
SATA Data Connector (CN15)	36
Serial Port 1 (CN7) and Serial Port 2 (CN8)	37
Serial Port UART	37
Non-Standard Baud Rates.....	37
FIFO Size	37
THRE Enhanced Mode	37
RS-232 Serial Port (Default)	38
RS-422 or RS-485 Serial Port.....	39
RS-422 Mode Pinout	40
RS-485 Mode Pinout	41
Dual Serial Port Modes.....	42
Advanced Digital I/O (aDIO™) Port (CN6)	44
USB 2.0 Connector (CN17)	45
Ethernet (10/100/1000Base-T and -TX) Connectors (CN20 and CN30)	46
PCIe/104 Type 2 Bus (CN1 - Top and CN2 - Bottom)	47
PCIe/104 Type 2 Compatibility	49
USB 3.0.....	50
Optional RTC Battery Input (CN13)	51
Fan Power (CN12)	51
Chapter 4 Using the cpuModule	
The RTD Enhanced BIOS	54
Configuring the RTD Enhanced BIOS	54
Entering the BIOS Setup through the Graphical BIOS Menu.....	54
Field Selection	55
Onboard PCI/PCIe Devices	56
Advanced Digital I/O Ports (aDIO™)	57
Digital I/O Register Set	58
Port 1 Data register is a read/write byte direction	60
Interrupts	60
Advanced Digital Interrupts.....	60
Event Mode.....	60
Match Mode.....	60
Strobe Mode.....	61
SATA Controller Configuration	62
Onboard SATA Storage	62
SATA Links on the PCIe/104 Type Connectors	62
Real Time Clock Control	62
Watchdog Timer Control	64

Thermal Management	65
Thermal Monitor	65
Hardware-Enforced Thermal Protection	65
Further Temperature Reduction	65
Power Management	66
Advanced Configuration and Power Interface (ACPI)	66
Power Button Modes	66
Low-Power Wake Options	66
AT vs. ATX Power Supplies	67
ATX Power Supply Signals	67
Reducing Power Consumption	67
Multi-Color LED	68
Reset Status Register	69
Features and Settings That Can Affect Boot Time	70
Boot Device Order	70
Add-On Cards With BIOS Extensions	70
VGA Controller	70
Hard Drive Type	70
Monitor Type	70
Network (PXE) Boot	70
System Recovery	71
Reset Button Recovery	71
Load Default BIOS Settings	71
Serial Power-On-Self-Test (POST) Code Output	71
Appendix A Hardware Reference	
Jumper Settings and Locations	74
Physical Dimensions	76
Appendix B Troubleshooting	
Common Problems and Solutions	78
Troubleshooting a PC/104 System	79
How to Obtain Technical Support	80
Appendix C IDAN™ Dimensions and Pinout	
IDAN Dimensions and Connectors	82
.....	83
IDAN Contents	84
External I/O Connections	85
Appendix D Additional Information	
Application Notes	91
Drivers and Example Programs	91

Interrupt Programming	91
Serial Port Programming	91
PC/104 Specifications	91

Appendix E Limited Warranty

Chapter 1 Introduction

This manual provides comprehensive hardware and software information for users developing with the CMA34CR PCIe/104 cpuModule.



Note Read the specifications beginning on page 10 prior to designing with the cpuModule.

This manual is organized as follows:

Chapter 1	<i>Introduction</i> Introduces main features and specifications
Chapter 2	<i>Getting Started</i> Provides abbreviated instructions to get started quickly
Chapter 3	<i>Connecting the cpuModule</i> Provides information on connecting the cpuModule to peripherals
Chapter 4	<i>Using the cpuModule</i> Provides information to develop applications for the cpuModule, including general cpuModule information, detailed information on storing both applications and system functions, and using utility programs
Appendix A	<i>Hardware Reference</i> Lists jumper locations and settings, physical dimensions, and processor thermal management
Appendix B	<i>Troubleshooting</i> Offers advice on debugging problems with your system
Appendix C	<i>IDAN™ Dimensions and Pinout</i> Provides connector pinouts for the cpuModule installed in an RTD Intelligent Data Acquisition Node (IDAN) frame
Appendix D	<i>Additional Information</i> Lists sources and websites to support the cpuModule installation and configuration
Appendix E	<i>Limited Warranty</i>

CMA34CR cpuModules

RTD's CMA34CR cpuModule represents the latest in low power and high performance PCI Express embedded controllers. Based on a 3rd Generation Intel(r) Core i7 (tm) processor and chipset, the CMA34CR is offered with a high performance 1.5 GHz Single core processor, a 1.7 GHz Dual-Core processor or a 2.1 GHz Quad-Core processor. Each comes with a complete DDR3 memory interface supporting up to 16 GB and operating at up to 1600 MT/s. All memory chips are soldered directly onto the board.

A Serial-ATA (SATA) controller provides a fast connection to the hard drives. Network connectivity is provided by two integrated 10/100/1000 Mbps Ethernet controllers. High-speed peripheral connections include USB 2.0, with up to 480 Mb/sec data throughput. Four additional SATA links and USB 3.0 connections permit further expandability on the top and bottom-side PCIe/104 Type 2 connectors. Also provided are 8 x1 PCI Express Gen 2.0 links, four to the top connector and four to the bottom connector. Other features include two RS-232/422/485 COM ports and Advanced Digital I/O (aDIO).

RTD has gone the extra mile to include additional advanced features for maximum flexibility. These include an onboard SATA surface-mount flash drive with a standard SATA interface. An Advanced Watchdog Timer is provided that can generate an interrupt or reset when the timer expires. The CMA34CR is also available in a rugged, fanless IDAN enclosure.

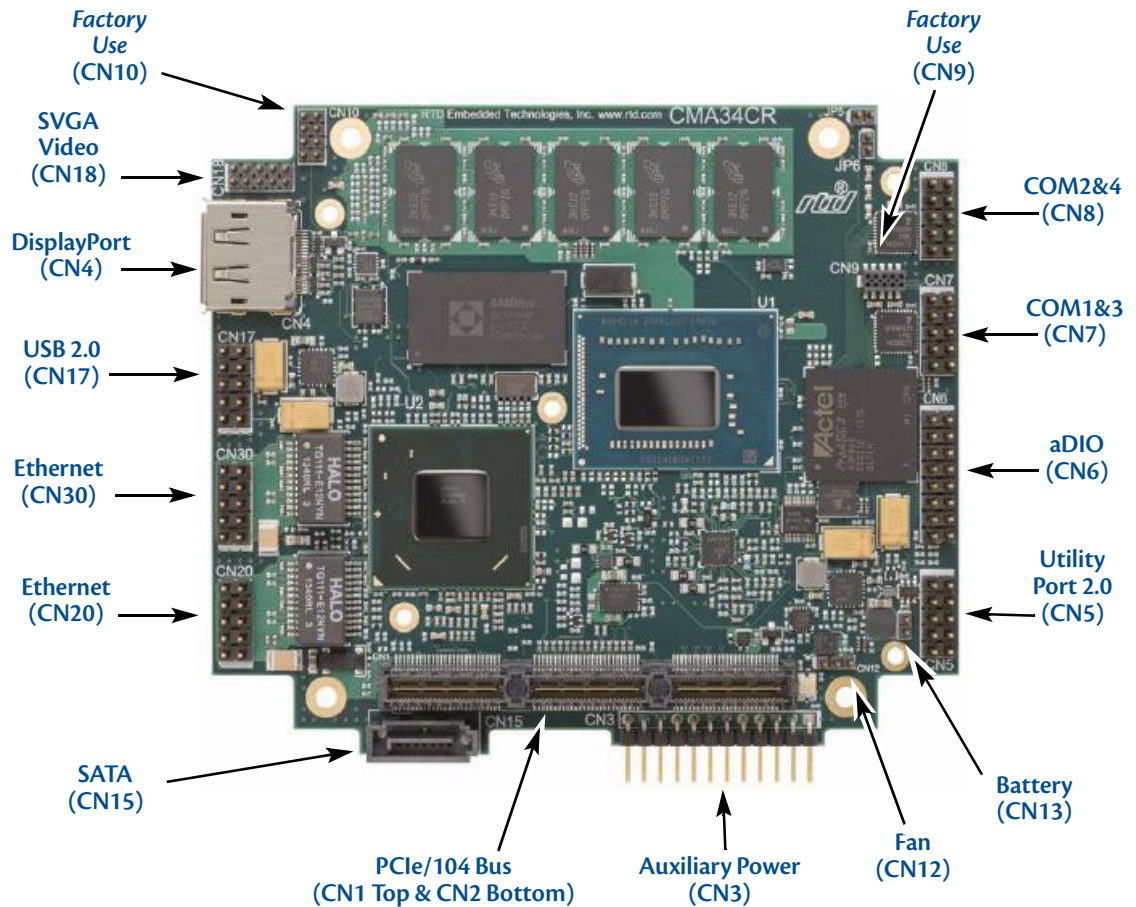


Figure 1 CMA34CR cpuModule (top view)

You can easily customize the cpuModule by stacking PCI/104-Express or PCIe/104 modules such as video controllers, Digital Signal Processors, drive carriers, LAN controllers, or analog and digital data acquisition modules. Stacking modules onto the cpuModule avoids expensive installations of backplanes and card cages, and preserves the module's compactness.

The cpuModule uses the RTD Enhanced BIOS. Drivers in the BIOS allow booting from hard disk, UEFI shell, or PXE Ethernet, thus enabling the system to be used with traditional disk drives or nonmechanical drives. Boot from USB devices and network are also supported.

The cpuModule and BIOS are also compatible with any real-time operating systems for PC compatible computers, although these may require creation of custom drivers to use the aDIO and watchdog timer.

Intel Turbo Boost

The Intel Turbo Boost Technology is a feature integrated into the dual and quad core i7 processors. This allows the processor to run faster than its rated operating core and/or graphics rendering clock frequency in the right circumstances. There must be sufficient power headroom and the cpuModule must be within all thermal and current limits. This feature is designed to increase the performance of both multi-threaded and single-threaded work loads. The support for Turbo mode occurs when the processor can use the thermal capacity associated with the package and run at higher power levels for short durations. Increasing system responsiveness for short, burst usage conditions.



Note Intel Turbo Boost is not available on the Single Core Celeron processor.

aDIO

RTD's exclusive aDIO™ is 12 digital bits configured as 8 bit-direction programmable and 4-bit port-direction programmable I/O, plus 2 strobe inputs giving you any combination of inputs and outputs. Match, event, and strobe interrupt modes mean no more wasting valuable processor time polling digital inputs. Interrupts are generated when the 8 bit-direction programmable digital inputs match a pattern or on any value change event. Bit masking allows selecting any subgroup of eight bits. The strobe input latches data into the bit-programmable port and generates an interrupt.

Ordering Information

The CMA34CR cpuModule is available with a selection of processors and memory sizes. The cpuModule can also be purchased as part of an Intelligent Data Acquisition Node (IDAN™) building block, which consists of the cpuModule and a milled aluminum IDAN frame. The IDAN building block can be used in just about any combination with other IDAN building blocks to create a simple but rugged PC/104 stack. Refer to Appendix C, *IDAN™ Dimensions and Pinout*, for more information. The CMA34CR cpuModule can also be purchased as part of a custom-built RTD HiDAN™ or HiDAN*plus* High Reliability Intelligent Data Acquisition Node. Contact RTD for more information on its high reliability PC/104 systems.

CMA34CR Model Options

The basic cpuModule model options are shown below. Refer to the RTD website (www.rtd.com) for more detailed ordering information and any new variations that may be available. Each CPU has the option to go up to 16 GB DDR3-SDRAM, and up to a 32 GByte onboard SATA flash drive.

Table 1 CMA34CR cpuModule Model Options

Part Number	Description
CMA34CRS1500HR-#####	Intel Celeron, Single Core 1.5 GHz, DDR3-SDRAM
CMA34CRD1700HR-#####	Intel Core i7, Dual Core 1.7 GHz, DDR3-SDRAM
CMA34CRQ2100HR-#####	Intel Core i7, Quad Core 2.1 GHz, DDR3-SDRAM

Table 2 Part Number Breakdown

RTD Part Number	Example	Description
CMx	CMA	CPU Functionality
##	34	Bus Structure used on the cpuModule
XXX	CRD	Processor code and number of cores S=single, D=dual, Q=quad
####	1700	Processor Speed (MHz)
XX	HR	Environmental Testing HR= High Reliability(-40 to +85 C) ER= Extended Reliability (0 to +70C)
#####	16834	Memory Size 8 GB & 16 GB DDR3-SDRAM options
X	_	Standard Heatsink or Flat Spreader Heatsink blank = Standard F = Flat Spreader

Cable Kits and Accessories

For maximum flexibility, RTD does not provide cables with the cpuModule. You may wish to purchase the CMA34CR cpuModule cable kit (P/N XK-CM113), which contains:

- Utility Port 2.0 multi-function cable (2x USB 2.0 ports, battery, reset button, power button, speaker)
- Two serial port cables (DIL-10 to DSUB-9)
- VGA monitor cable (DIL-10 to high density 15-pin DSUB)
- aDIO cable (DIL-16 to DSUB-25)
- Two USB cables (5-pin SIL to USB A)
- PCIe/104 Type 2 break-out board (provides standard PC interfaces for SATA and USB devices)
- Two Ethernet cables (DIL-10 to RJ-45)

For additional accessories, refer to the RTD website.

Board Features

- Intel Core i7 Processor:

Part Number	Cores	Core Frequency	Intel Smart Cache	Intel Part Number
CMA34CRS1500	One	1.5 GHz	1 MByte	927UE
CMA34CRD1700	Two	1.7 GHz	4 MByte	3517UE
CMA34CRQ2100	Four	2.1 GHz	6 MByte	3612UE

- Enhanced Intel SpeedStep Technology
- ACPI-compliant supporting system sleep states S0, S3, S4, and S5 and ACPI processor C-States
- Thermal Throttling reduces clock speed to prevent thermal runaway
- 22 nm process
- Intel QM77 Processor Controller Hub
- BGA DDR3 SDRAM Standard
 - Dual-channel memory interface
 - 1600 MT/s Data Rate
 - Surface Mounted for maximum reliability
 - 8 GBytes and 16 GBytes of SDRAM options available
- Stackable 156-pin PCIe/104 Type 2 bus on top
 - Four PCI Express x1 Links
 - Two PCI Express x4 Links
 - Two SATA 2.0 (revision 3.0, 6 GB/s)
 - Two USB 2.0
 - Two USB 3.0 (Super-Speed shared with USB 2.0 links)
- Stackable 156-pin PCIe/104 Type 2 bus on bottom
 - Four PCI Express x1 Links
 - Two PCI Express x4 Links
 - Two SATA 2.0 (revision 2.0, 3 GB/s)
 - Two USB 2.0
 - Two USB 3.0 (High-Speed shared with USB 2.0 links)
- Advanced Thermal Management
 - Thermal Throttling reduces clock speed to prevent thermal runaway
 - Auto Fan Control only runs fan when needed
 - Hardware monitor for temperature and voltage
 - Mini Fan Heatsink with Auto Fan control
 - Passive Structural Heatsink & Heatpipes in IDAN and HiDAN System Configurations
- Advanced Programmable Interrupt Controller (APIC)
 - 24 interrupt channels with APIC enabled (15 in legacy PIC mode)
 - High Precision Event Timer
- Advanced Configuration and Power Interface (ACPI)

- ACPI 3.0 Compliant
- Supported power down modes: S3 (Suspend to RAM), S4 (Hibernate), and S5 (Soft-Off)
- ACPI processor C-States
- Wake events include:
 - USB event (device insertion, keyboard keystroke, etc.)
 - Real Time Clock alarm or time-out
 - Power Switch
 - LAN
- Real-Time Clock (external battery required to maintain time only)
- Nonvolatile storage of CMOS settings without battery
- Advanced Watchdog timer
- Complete PC-compatible Single Board Computer

I/O

- Processor Graphics Controller
 - Intel Rapid Memory Power Management (Intel RMPM)
 - Intel Graphics Performance Modulation Technology (Intel GPMT)
 - Intel Smart 2D Display Technology (Intel S2DDT)
 - Graphics Render C-State (RC76)
- Analog VGA Interface
 - RGB CRT output
 - Maximum Resolution 2048 x 1536
- DisplayPort Interface
 - Supports all mandatory features of the VESA DisplayPort Standard (Version 1.1a)
 - Maximum Resolution 2048 x 1536
 - Audio over DisplayPort support
- Dual Gigabit Ethernet
 - Two Intel 82574IT Controllers (PRO1000 Series)
 - 10/100/1000 Auto-negotiation
 - Jumbo Frame Support (9kB)
 - PXE network Boot
 - Automatic MDI/MDI-X crossover capable
- Software-configurable RS-232/422/485 serial ports
 - 16550/16750 compatible UARTs for high-speed
 - 120 Ohm Termination resistors for RS-422/485 through BIOS Configuration
 - Each serial port connector can be configured as two limited serial ports, for a total of four serial ports
 - Fully jumperless configuration
 - Included Auto-RTS, Auto-CTS
 - Support for Non-Standard baud rates in BIOS
- Advanced Digital I/O (aDIO)

- One 8-bit bit-programmable I/O with Advanced Digital Interrupt Modes
- One 4-bit port programmable as input or output
- Event Mode Interrupt generates an interrupt when any input bit changes
- Match Mode Interrupt generates an interrupt when input bits match a preset value
- External Strobe Mode latches 8 data inputs and generates an interrupt
- Two Strobes can be configured as readable inputs
- Two USB 2.0 (Universal Serial Bus) Ports
 - Supports 480 Mb/s (high-speed), 12Mb/s (full-speed), and 1.5Mbs (low speed) peripherals
 - Automatic resettable over-current protection (500 mA @ 5 Vdc per port)
 - USB Boot capability
- Serial ATA (SATA)
 - Up to 32GB Surface-Mounted SATA Flash (8GB Standard)
 - Two SATA ports at SATA revision 3.0, up to 6.0 Gbit/sec (Stackable 156-pin PCIe/104 Type 2 bus on top)
 - Two SATA ports at SATA revision 2.0, up to 3.0 Gbit/sec (Stackable 156-pin PCIe/104 Type 2 bus on bottom)
 - Onboard SATA data connector at SATA revision 2.0, up to 3.0 Gbit/sec
 - Compatibility mode supports legacy operating systems.
 - RAID 0 and 1 support.
- Utility Port 2.0 Connector
 - 1x USB 2.0 Port
 - Speaker port (0.1 W output)
 - Hardware Reset input
 - Soft Power Button input
 - Battery input for Real Time Clock
- Auxiliary Power Connector
 - Supplies both 5V and 12V to the system.
 - If you plan to power the board through the Auxiliary connector you must connect all pins to ensure enough power is supplied to the board. The power cable should be twisted together and not be more than 2 ft. in length to ensure proper power delivery.

RTD Enhanced BIOS

- User-configurable using built-in Setup program
- Flash-based CMOS Setup - No battery required to store CMOS settings
- Supports boot from SATA, USB, or Ethernet (PXE)
- UEFI (Unified Extensible Firmware Interface) Shell
- Special RTD Reliability Enhancements

Block Diagram

The next figure shows a simplified block diagram of the CMA34CR cpuModule.

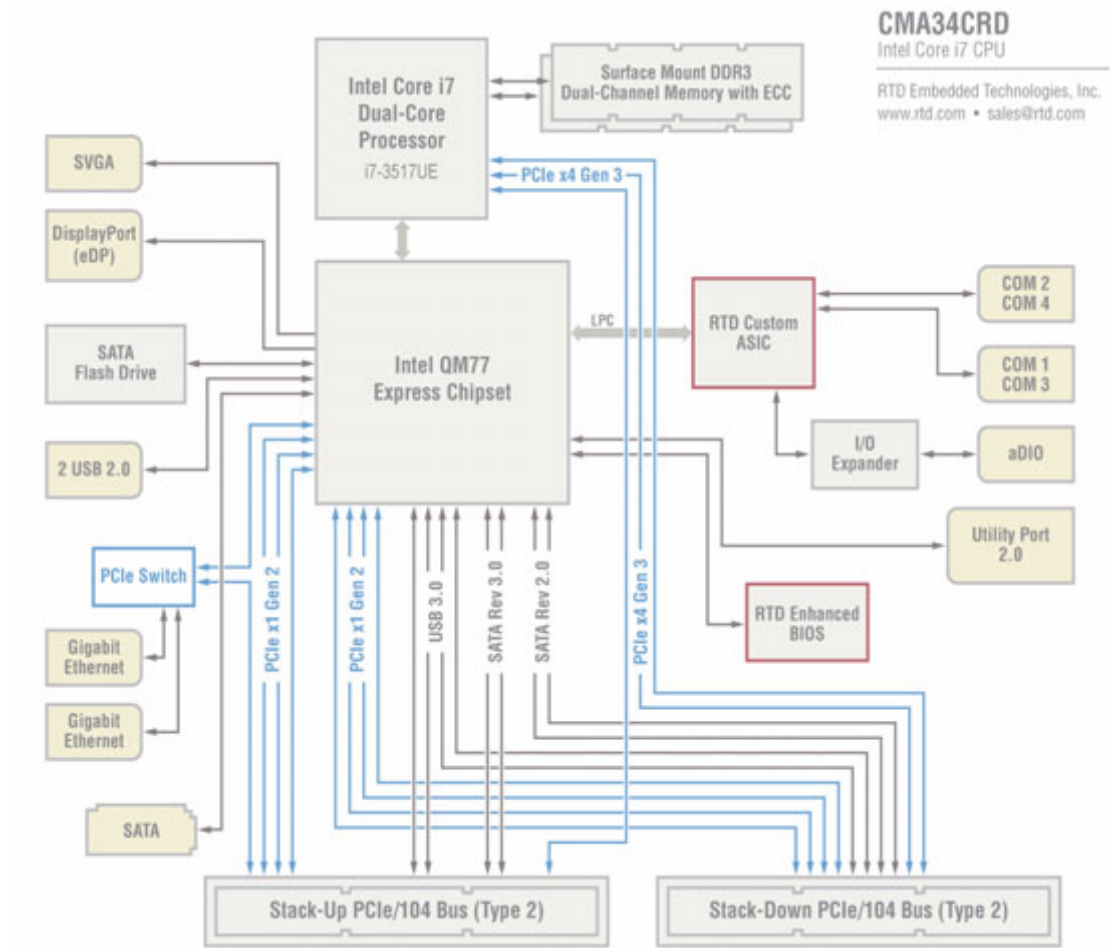


Figure 2 CMA34CR cpuModule Simplified Block Diagram

Specifications

Physical Characteristics

Basic dimensions and the weight of the CMA34CR are listed below. For a more detailed dimensional drawing, refer to the *Physical Dimensions* section on page 76.

- Dimensions
 - Board Size
 - Length (L): 95.885mm L (3.775")
 - Width (W): 115.0mm W (4.500")
 - I/O Extension
 - Length (EL): 79.380mm (3.125")
 - Width (EW): 12.700mm (0.500")
 - Stand-off Height
 - Above the CPU: 22.000mm (0.866")
 - Below the CPU: 15.240mm (0.600")
- Weight: Approximately 0.24 Kg (0.52 lbs.) with Heatsink

Power Consumption

Exact power consumption depends on the actual application. Typical power consumption of the CMA34CR is listed in Table 3. Tables 4 lists the Max power consumption. Tables 5-7 list power consumption for common applications. It is expected that power consumption of a typical application will be a combination of these scenarios.

Table 3 Typical Power Consumption

Part Number	Power Consumption
CMA34CRS1500HR-8192	12 W
CMA34CRD1700HR-8192	17 W
CMA34CRQ2100HR-8192	28 W

Table 4 Max Power Consumption

Part Number	Power Consumption
CMA34CRS1500HR-8192	17.0 W
CMA34CRD1700HR-8192	31.9 W
CMA34CRQ2100HR-8192	49.2 W

Table 5 Power Consumption (1.5 GHz, Single Core, 8 GBytes)

	Idle	Single-Threaded Application	Multi-Threaded Application	CPU & Graphics Intensive Application	ACPI S3	ACPI S4/S5
+5V Current Draw	1.7 A	2.0 A	N/A	2.2 A	0.4 A	0.3 A
+12V Current Draw	0.2 A	0.4 A	N/A	0.5 A	0 A	0 A
Power Consumption	10.7W	14.8 W	N/A	17.0 W	2.0 W	1.5 W

Table 6 Power Consumption (1.7 GHz, Dual Core, 8 GBytes)

	Idle	Single-Threaded Application	Multi-Threaded Application	CPU & Graphics Intensive Application	ACPI S3	ACPI S4/S5
+5V Current Draw	1.8 A	2.1 A	2.7 A	3.0 A	0.4 A	0.3A
+12V Current Draw	0.2 A	1.0 A	1.3 A	1.4 A	0.0 A	0 A
Power Consumption	11.7W	22.1 W	29.3 W	31.9 W	1.9 W	1.5 W

Table 7 Power Consumption (2.1 GHz, Quad Core, 8 GBytes)

	Idle	Single-Threaded Application	Multi-Threaded Application	CPU & Graphics Intensive Application	ACPI S3	ACPI S4/S5
+5V Current Draw	1.7 A	1.71 A	3.05 A	3.15 A	0.4 A	0.28 A
+12V Current Draw	0.36 A	1.26 A	2.82 A	2.24 A	0 A	0 A
Power Consumption	12.7 W	23.7 W	49.2 W	42.7 W	2.0 W	1.4 W

Table 8 Power Consumption (1.7 GHz, Dual Core, 16GBytes)

	Idle	Single-Threaded Application	Multi-Threaded Application	CPU & Graphics Intensive Application	ACPI S3	ACPI S4/S5
+5V Current Draw	1.8 A	2.1 A	2.8 A	3.1 A	0.4 A	0.3 A
+12V Current Draw	0.2 A	0.9 A	1.3 A	1.3 A	0 A	0 A
Power Consumption	11.5W	21.4 W	29.5 W	31.5 W	1.9 W	1.4 W



Note The measurements listed above are intended to represent common usage scenarios. The cpuModule's power consumption is heavily influenced by the running software and system activity.

Operating Conditions

Table 9 Operating Conditions

Symbol	Parameter	Test Condition	Min.	Max.
V _{CC5}	5V Supply Voltage		4.75V	5.25V
V _{CC12}	12V Supply Voltage		11.4V	12.6V
V _{CCSTBY}	5V Standby Voltage ¹		4.75V	5.25V
I _{CCSTBY}	5V Standby Current ¹		-	500mA
T _a	Ambient Operating Temperature ² (Single and Dual Core CPUs)		-40C	+85C
T _{FULL}	Full Performance Operating Temperature ³ (Single and Dual Core CPUs)		-40C	+70C
T _a	Ambient Operating Temperature ⁴ (Quad Core CPU)		-40C	+70C
T _{FULL}	Full Performance Operating Temperature ⁵ (Quad Core CPU)		-40C	+55C
T _s	Storage Temperature		-40C	+85C
Rh	Humidity	Non-Condensing	0	90%
MTBF	Mean Time Before Failure (hours)	23 C		
		Single Core	469,824	
		Dual Core	434,368	
		Quad Core	429,148	

1. 5V Standby is used to power the board when the main supply is turned off (power down modes S3-S5). It is not required for board operation.
2. With supplied heat sink solution. Depending on the CPU usage, performance may degrade as the ambient temperature approaches the maximum. Contact RTD Tech Support for more information.
3. Less than 10% reduction in Aggregate Processor Performance at temperatures from +70 to +85 as measured by Sandra 2013 SP4.
4. With supplied heat sink solution. Depending on the CPU usage, performance may degrade as the ambient temperature approaches the maximum. Contact RTD Tech Support for more information.
5. Less than 10% reduction in Aggregate Processor Performance at temperatures from +60 to +70 as measured by Sandra 2013 SP4.

Electrical Characteristics

The table below lists the Electrical Characteristics of the CMA34CR. Operating outside of these parameters may cause permanent damage to the cpuModule.

Table 10 Electrical Characteristics

Symbol	Parameter	Test Condition	Min.	Max.
USB Ports				
I _{oc}	Overcurrent Limit	Each port	0.5 A	5.0 A
SVGA Port				
V _{OH}	Output Voltage High HSYNC, VSYNC	I _{OH} = -8.0 mA	2.4 V	3.3 V
V _{OL}	Output Voltage Low HSYNC, VSYNC	I _{OL} = 8.0 mA	0.0 V	0.5 V
V _{OH}	Output Voltage High DDC_*	I _{OH} = -4.0 mA	2.4 V	3.3 V
V _{OL}	Output Voltage Low DDC_*	I _{OL} = 8.0 mA	0.0 V	0.4 V
V _{IH}	Input Voltage High DDC_*	—	2.0 V	5.5 V
V _{IL}	Input Voltage Low DDC_*	—	-0.3 V	0.8 V
I _{DDCvcc}	Supply Current for DDC Electronics	—		500 mA
DisplayPort				
I _{vcc}	Supply Current	—		500 mA
Serial Ports - RS-232				
V _{OH}	Output Voltage High	R _L = 3 k	5.0 V	7.0 V
V _{OL}	Output Voltage Low	R _L = 3 k	-7.0 V	-5.0 V
V _{IH}	Input Voltage High	—	2.0 V	15 V
V _{IL}	Input Voltage Low	—	-15 V	0.6 V
Serial Ports - RS-422/485				
V _{OD1}	Differential Output	R _L = 100 Ohm	2.0 V	
V _{OD2}	Differential Output	R _L = 54 Ohm	1.5 V	
V _{OC}	Common Mode Output	R _L = 54 or 100 Ohm		3.0 V
V _{TH}	Differential Input Threshold		-200 mV	-50 mV
V _I	Absolute Max Input Voltage		-18 V	18 V
aDIO				
V _{OH}	Output Voltage High	I _{OH} = -29 mA	2.4 V	3.3 V
V _{OL}	Output Voltage Low	I _{OL} = 17 mA	0.0 V	0.5 V
V _{IH}	Input Voltage High	—	1.8 V	5.5 V
V _{IL}	Input Voltage Low	—	-0.3 V	0.8 V
I _{ADIOvcc}	Supply current	—		500 mA

Table 10 Electrical Characteristics

Symbol	Parameter	Test Condition	Min.	Max.
T_{MIN}	Update Interval	—	1ms	
Utility Port 2.0 Connector (CN5)				
V_{RTC}	Input RTC Voltage ¹	—	2.5V	3.6 V
I_{RTC}	RTC Battery Current	—		< 4 μ A
$I_{UTILVCC}$	Utility Supply Current	—		500 mA

1. Only required to maintain date and time when power is completely removed from the system. Not required for board operation.

Migrating to RTD's Intel Core i7 cpuModules

When migrating to RTD's Intel Core i7 cpuModules, there are several differences from preceding cpuModule product families of which the user should be aware.

Power Differences

The Core i7 cpuModule requires both +12V and +5V for operation, whereas previous cpuModules only required +5V.

Connector Pinout & Function Differences

The newer Intel Core i7 cpuModules have several connector-related differences, which are summarized below. Complete information about the connectors on the CMA34CR can be found in Chapter 3, *Connecting the cpuModule*.

New I/O Connectors

The CMA34CR cpuModule introduces a new I/O connector that was not present on previous RTD cpuModules:

- **DisplayPort (CN4)**
 - Provides video and audio output
 - Unlike legacy LVDS and flat panel connectors which needed to have their BIOS pre-configured to a specific manufacturer's flat panel parameters, the DisplayPort connector is compatible with any display that has a DisplayPort interface.
- **SATA Connector (CN15)**
 - Provides access to the data segment of one standard SATA port

Connector Differences

While some connectors on the CMA34CR have identical pinouts as on previous cpuModule generations, the features of the connector are sometimes different. Other connectors have entirely different pinouts than those on previous cpuModule generations. One important change is this cpuModule requires both +12V and +5V to operate. Connectors with pinout and feature differences include:

- **Auxiliary Power Connector (CN3)**
 - 12 pins (unlike the 10-pin connector on RTD Core 2 Duo cpuModules)
 - Requires both +5V and +12V inputs (unlike +5V only auxiliary power connectors found on all previous RTD cpuModule generations)
 - The Auxiliary Power Connector excludes ATX power signaling. The ATX power signals are provided on the PCIe/104 Type 2 bus connectors.
- **Utility Port 2.0 (CN5)**
 - Replaces the legacy Utility Port multi-function connector
 - Replaces the PS/2 Mouse and Keyboard connections with one USB 2.0 port
 - The pinout of the Utility Port 2.0 is **not** compatible with previous generations of RTD cpuModules.
- **COM Ports (CN7 and CN8)**
 - Connector **CN7** can be configured to output Serial POST codes out of the TXD pin when in single RS-232 mode (unlike RTD Core 2 Duo cpuModules, where the DTR pin was configured for serial POST code output on the second port of CN7 in dual-port mode). For more information, refer to *Serial Power-On-Self-Test (POST) Code Output* on page 71.

- Of all single and dual-port modes, only the single RS-232 pinout is compatible with previous generations of RTD cpuModules.
- Dual-mode COM port pinouts permit dual RS-232, dual RS-422, and dual RS-485 modes. Unlike some previous generations of RTD cpuModules, a dual “combined” mode with RS-232 and RS-422/458 is not supported.
- Unlike some previous cpuModule generations, the single-mode RS-422/485 pinouts of the CMA34CR do not include the DCD, DSR, DTR, and RI signals.
- When a COM port connector is configured for dual-port mode, enabling/disabling COM port termination enables/disables the termination for both ports on that connector. (Some previous generations of cpuModules have the ability to independently enable/disable termination on both ports when configured for dual-mode.)

Software Differences

The newer Intel Core i7 cpuModules have several software-related differences, which are summarized below. Complete information about these CMA34CR features can be found in Chapter 4, *Using the cpuModule*.

aDIO

While the 16-pin aDIO connector is pin-for-pin compatible with previous generations of RTD cpuModules (such as the Core 2 Duo series), the hardware is slightly different, and requires that writes and reads to/from the aDIO ports happen no more than once per millisecond. Migrating legacy software to the CMA34CR that utilizes RTD’s Advanced Digital I/O may require that you add this delay prior to all reads and writes.

UEFI Shell

Previous generations of RTD cpuModules contained a Fail-safe Boot ROM image, which permitted the cpuModule to boot to a DOS prompt even when no disk drives were connected to the system. The RTD Intel Core i7 cpuModules provide a similar prompt, called the Unified Extensible Firmware Interface (UEFI) Shell, which provides an environment to execute simple commands. To boot this environment, the UEFI shell must be configured as the first boot device in the BIOS setup.

- 64 Bit OS Installation using UEFI
 - To use the UEFI boot option you first need to enter the BIOS Setup and set the **Boot Type** to **UEFI Boot Type** or set **Boot EFI Device First** to enable.
 - Windows: The BIOS can detect some boot loaders such as the loader for Windows 7. The BIOS will create a boot option just for Windows, this will replace the **Drive Boot Option**.
 - Linux: openSuse will install itself into the Boot Order list. Linux systems usually require the GRUB-EFI boot loader to be re-installed when moving from system to system.

Contact Information

RTD Embedded Technologies, Inc.
103 Innovation Blvd.
State College, PA 16803-0906
USA

Phone: +1-814-234-8087

Fax: +1-814-234-5218

E-mail: sales@rtd.com
techsupport@rtd.com

Internet: <http://www.rtd.com>

Chapter 2 Getting Started

For many users, the factory configuration of the CMA34CR cpuModule can be used to get a PC/104 system operational. You can get your system up and running quickly by following the simple steps described in this chapter, which are:

1. Before connecting the cpuModule, the user must be properly grounded to prevent electrostatic discharge (ESD). For more information, refer to *Proper Grounding Techniques* on page 28.
2. Connect power.
3. Connect the Utility Port 2.0 cable.
4. Connect a USB keyboard.
5. Default BIOS configuration.
6. UEFI (Unified Extensible Firmware Interface) shell.
7. Connect a monitor to the SVGA connector or DisplayPort interface.

Refer to the remainder of this chapter for details on each of these steps.

Connector Locations

Figure 3 shows the connectors of the CMA34CR cpuModule.

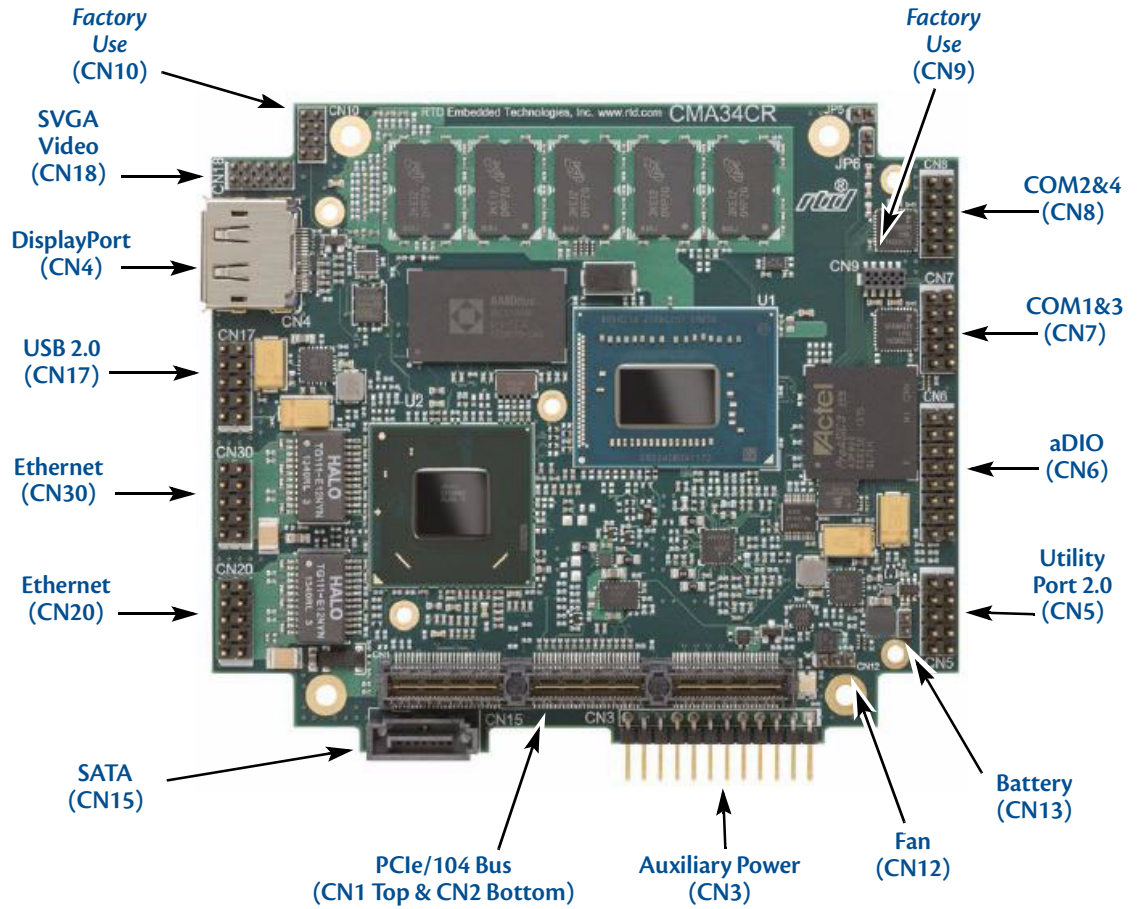


Figure 3 CMA34CR Connector Locations



Note Pin 1 of each connector is indicated by a white silk-screened square on the top side of the board and a square solder pad on the bottom side of the board.

Table 11 CMA34CR Basic Connectors

Connector	Function	Size and Pitch	Mating Connector
CN1	PCIe/104 Type 2 Bus (Top)	156-pin, 0.635mm	Samtec ASP-129646-03
CN2	PCIe/104 Type 2 Bus (Bottom)	156-pin, 0.635mm	Samtec ASP-129637-03
CN3	Auxiliary Power	1x12, 0.1"	FCI 65039-025LF
CN4	DisplayPort	Molex P/N Series 47272-xxxx	Molex P/N Series 68783-xxxx
CN5	Utility Port 2.0	2x5, 0.1"	3M 89110-0001
CN6	aDIO	2x8, 0.1"	3M 89116-0001
CN7	Serial Port 1 (COM 1&3)	2x5, 0.1"	3M 89110-0001
CN8	Serial Port 2 (COM 2&4)	2x5, 0.1"	3M 89110-0001
CN12	Fan Power (switched)	1x3, 2mm	FCI 69305-003LF
CN13	RTC Battery Input (optional)	1x2, 2mm	FCI 69305-002LF
CN15	SATA Data Connector (host receptacle)	Molex P/N Series 67800-xxxx	(SATA device plug connector; various)
CN17	USB 2.0	2x5, 0.1"	3M 89110-0001
CN18	Video (SVGA)	2x5, 2mm	FCI 89947-710LF
CN20	Ethernet	2x5, 0.1"	3M 89110-0001
CN30	Ethernet	2x5, 0.1"	3M 89110-0001



WARNING *If you connect power incorrectly, the module will almost certainly be damaged or destroyed. Such damage is not covered by the RTD warranty! Please verify connections to the module before applying power.*

Power is normally supplied to the cpuModule through the top or bottom PCIe connectors (**CN1** or **CN2**). If you are placing the cpuModule onto a stack that has a PCIe/104 power supply, you do not need to make additional connections to supply power.

Alternatively, if you are using the cpuModule without a PC/104 stack or with a stack that does not include a power supply, refer to *Auxiliary Power* (CN3) on page 30 for an alternative method on how to power the cpuModule.

Selecting the Stack Order for the CMA34CR

There are several things to consider when selecting the order of boards in the stack. Before selecting the order, be sure to determine which bus connector on each board is the “Active” bus. Typically, if a peripheral module has both PCIe and PCI bus connectors, only the PCIe is active and the PCI is pass-through. The following is a list of rules to use to determine the stack order:

1. The PCIe connectors above and below the CPU have completely separate signals. Therefore it is possible to attach boards to the PCIe connector above and below the CPU.
2. Any board that uses a PCIe or SATA link must be within six boards of the CPU. Devices using PCIe Gen 3 should be the next card directly below/above the CPU for best performance. Devices using PCIe Gen 2 should not be more than 3 boards away from the CPU for best performance.
3. Any board that uses a USB 3.0 link must be within four boards of the CPU.
4. Any board that uses a USB 3.0 link must be closer to the CPU than any board that uses a USB 2.0 link.
5. To preserve power integrity, it is recommended that there be no more than six boards between the CPU and the power supply.
6. In order to maintain maximum performance over the full temperature range, it is recommended that a PCIe spacer be used between the CPU and any board immediately above it.
7. A maximum of four PCI boards may be attached to any PCI bus.
8. The PCIe to PCI bridge (if one exists in the stack) must be at one end of the PCI bus segment, and all of the peripheral cards at the other end. There may be up to eight PCI pass-through connectors between the PCIe to PCI bridge and the peripheral cards.
9. There must be no more than two boards between the first PCI peripheral and the last PCI peripheral. If there are four PCI peripheral cards in a PCI bus segment, there may not be any PCI pass-through connections between them.

Stack Example

The figure below shows an example of a complete system stack. Most systems will be a subset of this example. This example stack may be further expanded with PCIe to PCIe bridges, or a PCIe to PCI bridge.

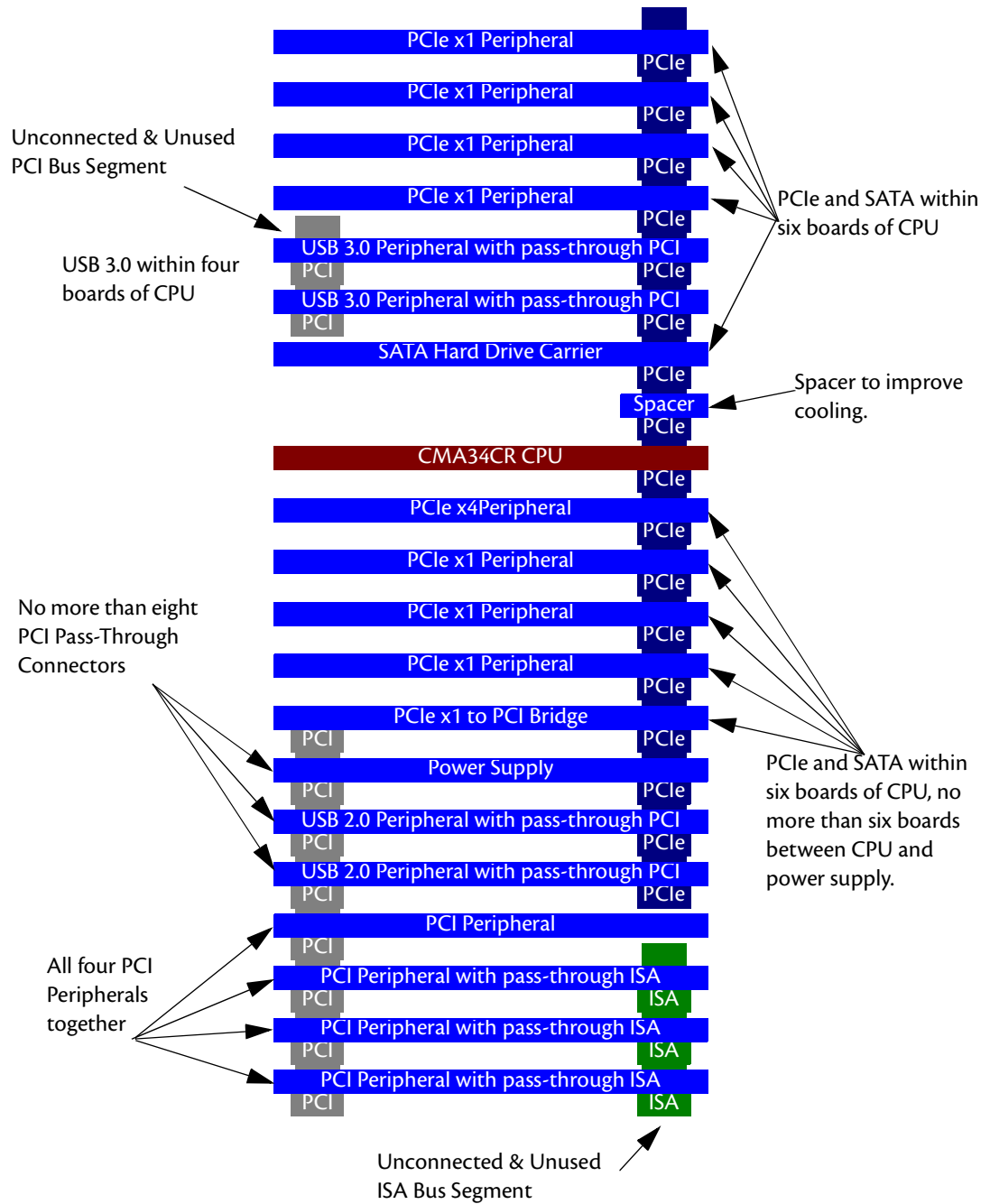


Figure 4 System Stacking Example

Connecting to the Stack

The bus connectors of the cpuModule are simply plugged onto a PC/104 stack to connect to other devices. Follow the procedure below to ensure that stacking of the modules does not damage connectors or electronics.



WARNING Do not force the module onto the stack! Wiggling the module or applying too much pressure may damage it. If the module does not readily press into place, remove it, check for bent pins or out-of-place keying pins, and try again.

For mechanical dimensions, including board-to-board spacing, see *Physical Dimensions* on page 76.

1. Turn off power to the PC/104 system or stack.
2. Always work at an ESD protected workstation, and wear a grounded wrist-strap.
3. Select and install stand-offs to properly position the cpuModule on the stack.
4. Remove the cpuModule from its anti-static bag.
5. Check that pins of the bus connector are properly positioned.
6. Check the stacking order; make sure all of the busses used by the peripheral cards are connected to the cpuModule.
7. Hold the cpuModule by its edges and orient it so the bus connector pins line up with the matching connector on the stack.
8. Gently and evenly press the cpuModule onto the PC/104 stack.

Power Input Connections

Power to the board must come from either the top or bottom PCIe/104 Type 2 bus connectors (**CN1** or **CN2**), or the auxiliary power connector (**CN3**). These connectors provide the required +5V and +12V DC voltage rail inputs to the cpuModule. This is different from previous cpuModules which only required +5V for operation.

Connecting to the Utility Port 2.0

The Utility Port 2.0 connector (**CN5**) implements the following interfaces:

- One USB 2.0 port
- Speaker port (0.1W output)
- Hardware Reset input
- Battery input for Real Time Clock
- Soft Power Button input

To use these interfaces, you must connect to the Utility Port 2.0 connector (**CN5**). The Utility Port 2.0 cable from the RTD cable kit provides a small speaker, two USB 2.0 ports for a keyboard and mouse, a push-button for resetting the system, a soft-power button, and a lithium battery to provide backup power for the real time clock.

Refer to *Utility Port 2.0 Connector (CN5)* on page 31 to connect devices to the Utility Port 2.0 connector.

Booting the CMA34CR cpuModule for the First Time

You can now apply power to the cpuModule. If you press **Escape** on a keyboard while booting, the cpuModule will enter a setup menu. In this menu you can select the “**SCU**” to enter the BIOS settings menu. Here you can configure the many different BIOS settings of the cpuModule. Once you have configured the cpuModule using Setup, save your changes and reboot. If you don't press **Escape**, the cpuModule will try to boot from the current settings.



Note You may miss the initial sign-on messages if your monitor takes a while to power on.

Note By default, cpuModules are shipped with a UEFI (Unified Extensible Firmware Interface) shell. When no other bootable device is installed in the system, the system will boot to it exclusively. This internal bootable shell may be disabled in the BIOS screen's boot menu.

Note For more information on the BIOS please refer to page 52 of this manual.



WARNING Incorrect modifications to the BIOS can cause your system to break. If you are unsure of any changes made to the BIOS there is a **Load RTD Defaults** option under the **Exit** tab in the **SCU**. This option restores the BIOS to the default factory settings. You can also load the BIOS defaults by jumpering JP5 and booting the CPU.

Chapter 3 Connecting the cpuModule

This chapter provides information on all CMA34CR cpuModule connectors.

<i>Proper Grounding Techniques</i>	— page 28
<i>Connector Locations</i>	— page 28
<i>Auxiliary Power (CN3)</i>	— page 30
<i>Utility Port 2.0 Connector (CN5)</i>	— page 31
<i>SVGA Video Connector (CN18)</i>	— page 33
<i>DisplayPort Connector (CN4)</i>	— page 34
<i>SATA Data Connector (CN15)</i>	— page 36
<i>Serial Port 1 (CN7) and Serial Port 2 (CN8)</i>	— page 37
<i>Advanced Digital I/O (aDIO™) Port (CN6)</i>	— page 44
<i>USB 2.0 Connector (CN17)</i>	— page 45
<i>Ethernet (10/100/1000Base-T and -TX) Connectors (CN20 and CN30)</i>	— page 46
<i>PCIe/104 Type 2 Bus (CN1 - Top and CN2 - Bottom)</i>	— page 47
<i>Optional RTC Battery Input (CN13)</i>	— page 51
<i>Fan Power (CN12)</i>	— page 51

Proper Grounding Techniques

Before removing the CMA34CR from its static bag, proper grounding techniques must be used to prevent electrostatic discharge (ESD) damage to the cpuModule. Common grounding procedures include an anti-static mat on a workbench, which may connect to an anti-static wrist strap (also known as an ESD wrist strap) on the wrist of the technician or engineer.

Connector Locations

Figure 5 shows the connectors of the CMA34CR cpuModule.

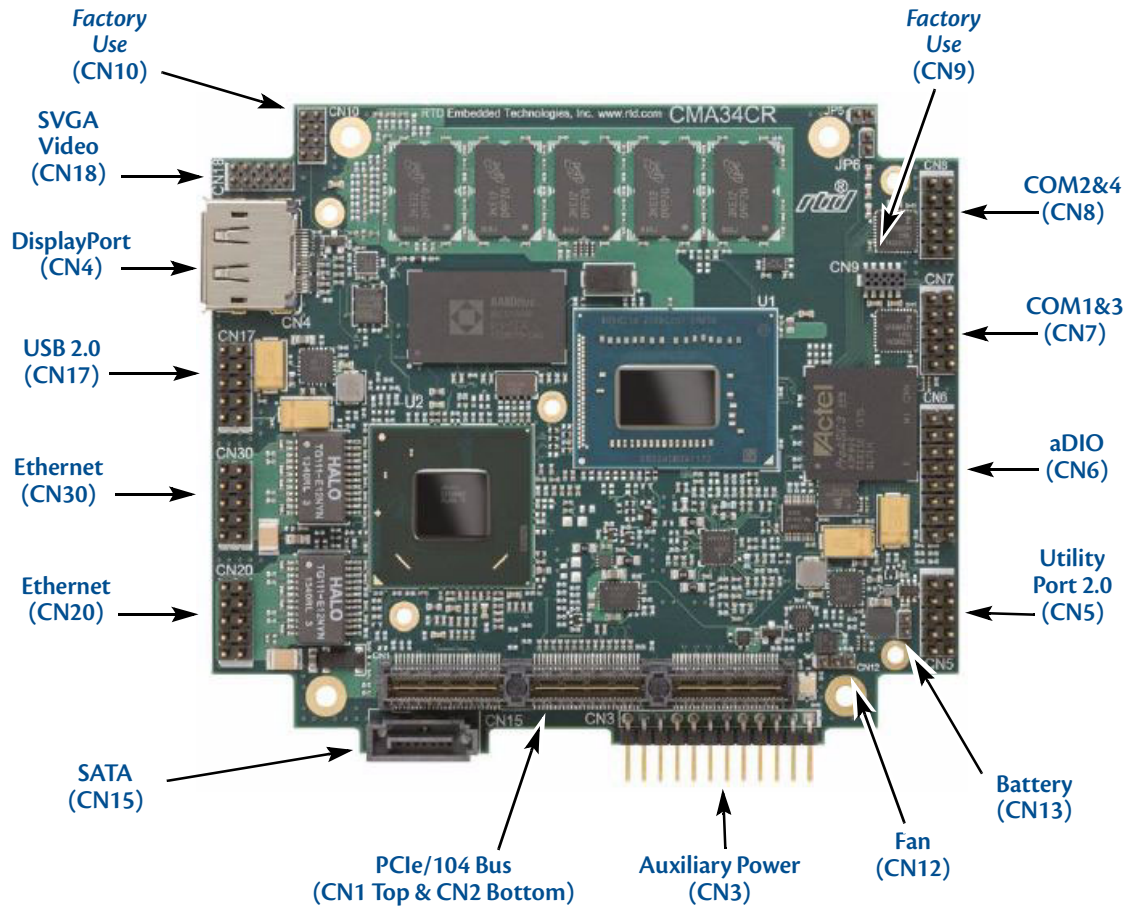


Figure 5 CMA34CR Connector Locations



Note Pin 1 of each connector is indicated by a white silk-screened square on the top side of the board and a square solder pad on the bottom side of the board. Pin 1 of the bus connectors match when stacking PC/104 modules.

Table 12 CMA34CR Basic Connectors

Connector	Function	Size and Pitch	Mating Connector
CN1	PCIe/104 Type 2 Bus (Top)	156-pin, 0.635mm	Samtec ASP-129646-03
CN2	PCIe/104 Type 2 Bus (Bottom)	156-pin, 0.635mm	Samtec ASP-129637-03
CN3	Auxiliary Power	1x12, 0.1"	FCI 65039-025LF
CN4	DisplayPort	Molex P/N Series 47272-xxxx	Molex P/N Series 68783-xxxx
CN5	Utility Port 2.0	2x5, 0.1"	3M 89110-0001
CN6	aDIO	2x8, 0.1"	3M 89116-0001
CN7	Serial Port 1 (COM1&3)	2x5, 0.1"	3M 89110-0001
CN8	Serial Port 2 (COM2&4)	2x5, 0.1"	3M 89110-0001
CN12	Fan Power (switched)	1x3, 2mm	FCI 69305-003LF
CN13	RTC Battery Input (optional)	1x2, 2mm	FCI 69305-002LF
CN15	SATA Data Connector (host receptacle)	Molex P/N Series 67800-xxxx	(SATA device plug connector; various)
CN17	USB 2.0	2x5, 0.1"	3M 89110-0001
CN18	Video (SVGA)	2x5, 2mm	FCI 89947-710LF
CN20	Ethernet	2x5, 0.1"	3M 89110-0001
CN30	Ethernet	2x5, 0.1"	3M 89110-0001

Auxiliary Power (CN3)

The Auxiliary Power connector (**CN3**) can be used to supply power to devices that are attached to the cpuModule. These devices include hard drive, front-end boards for data acquisition systems, and other devices.

Power can also be conveyed to the module through the Auxiliary Power connector (**CN3**). The cpuModule only requires +5 VDC, +12 VDC, and ground for operation.



Note Although it is possible to power the cpuModule through the Auxiliary Power connector, the preferred method is to power it through the bus connector from a power supply in the stack. The cpuModule can have large current transients during operation, which make powering it through wires difficult. Powering through the bus eliminates such problems as voltage drop and lead inductance.

Note If you do choose to power the board through the Auxiliary Power connector you **must** connect all wires to ensure enough power is being supplied to the cpuModule.

If using the Auxiliary Power connector to power the system, care must be taken to ensure good power connections. The power and ground leads must be twisted together, or as close together as possible to reduce lead inductance. A separate lead must be used for each of the power pins. All 5V pins, 12V pins, and all ground pins must be connected. Do not use wire smaller than 20 gauge, and take care to ensure the length of the wire does not exceed 2 ft. The power supply solution must be verified by measuring voltage at the Auxiliary Power Connector and verifying that it meets the input voltage specifications. The voltage at the connector should be checked with an oscilloscope while the system is operational.



WARNING This 12-pin power connector is **not** compatible with previous generations of RTD cpuModules.

WARNING If you connect power incorrectly, the module will almost certainly be destroyed. Please verify power connections to the module before applying power.

Table 13 Auxiliary Power Connector (CN3)

Pin	Signal	Function
1	GND	Ground
2	+5 V	+5 Volts DC
3	+5 V	+5 Volts DC
4	GND	Ground
5	GND	Ground
6	+12V	+12 Volts DC
7	+12V	+12 Volts DC
8	GND	Ground
9	GND	Ground
10	+5 V	+5 Volts DC
11	+5 V	+5 Volts DC
12	GND	Ground

Utility Port 2.0 Connector (CN5)

The Utility Port 2.0 connector implements the following functions:

- 1x USB 2.0 Port
- Speaker port (0.1W output)
- Hardware Reset input
- Soft Power Button input
- Battery input for Real Time Clock

Table 14 provides the pinout of the Utility Port 2.0 connector.

Table 14 Utility Port 2.0 Connector (CN5)

Pin	Signal	Function	In/Out
1	SPKR	Speaker Output (open collector)	out
2	PWR	+5 V	out
3	RESET#	Manual Push-Button Reset	in
4	DATA-	Bidirectional data line for USB1	in/out
5	PWRSW#	Soft Power Button	in
6	DATA+	Bidirectional data line for USB1	in/out
7	GND	Ground	out
8	GND	Ground	out
9	BAT	RTC Battery Input	in
10	Shield	Shield Ground. Connected to GND through a ferrite bead.	-



WARNING The pinout of the Utility Port 2.0 connector is **not** compatible with previous generations of RTD cpuModules. Attaching a legacy Utility Port harness to the Utility Port 2.0 connector may damage or destroy the cpuModule.

Facing the connector pins, the pinout is:

9	7	5	3	1
BAT	GND	PWRSW#	RESET#	SPKR
GND	GND	DATA+	DATA-	PWR
10	8	6	4	2

USB 2.0 Connector

One USB 2.0 compliant connector is available on connector **CN5**. Table 14 provides the pinout of the USB connector.



Note For proper operation at USB 2.0 speeds, be sure to use a cable that is rated for USB 2.0, such as the cable kit supplied by RTD.

Speaker

A speaker output is available on pins 1 and 2 of the Utility Port 2.0 connector. These outputs are controlled by a transistor to supply 0.1 W of power to an external speaker. The external speaker should have 8 Ohm impedance and be connected between pins 1 and 2.

System Reset

Pin 3 of the Utility Port 2.0 connector allows connection of an external push-button to manually reset the system. The push-button should be normally open, and connect to ground when pushed. The type of reset generated by this button can be set in the BIOS configuration utility.

Soft Power Button

Pin 5 of the Utility Port 2.0 connector allows connection of an external push-button to send a soft power signal to the system. The push-button should be normally open, and connect to ground when pushed. For more information on the modes of the Soft Power Button, refer to the *Power Management* section in Chapter 4, *Using the cpuModule*.

Battery

Pin 9 of the Utility Port 2.0 connector is the connection for an external backup battery. This battery is used by the cpuModule when system power is removed in order to preserve the date and time of the real time clock.

Connecting a battery is only required to maintain time when power is completely removed from the cpuModule. A battery is not required for board operation.



WARNING The optional RTC battery input connector (**CN13**) should be left unconnected if the multi-function connector (**CN5**) has a battery connected to pin 9.

SVGA Video Connector (CN18)

Table 15 provides the pinout of the video connector.

Table 15 SVGA Video Connector (CN18)

Pin	Signal	Function	In/Out
1	VSYNC	Vertical Sync	out
2	HSYNC	Horizontal Sync	out
3	DDCSCL	Monitor Communications Clock	out
4	RED	Red Analog Output	out
5	DDCSDA	Monitor Communications Data	bidirectional
6	GREEN	Green Analog Output	out
7	PWR	+5 V	out
8	BLUE	Blue Analog Output	out
9	GND	Ground	out
10	GND	Ground	out

Facing the connector pins of the SVGA Video connector (**CN18**), the pinout is:

9	7	5	3	1
GND	PWR	DDCSDA	DDCSCL	VSYNC
GND	BLUE	GREEN	RED	HSYNC
10	8	6	4	2

DisplayPort Connector (CN4)

The DisplayPort connector on the CMA34CR cpuModule is a standard PC DisplayPort connector complete with latch holes to provide a rugged connecting solution for latching DisplayPort cables.

The DisplayPort supports all mandatory features of the VESA DisplayPort Standard (Version 1.1a), permits a resolution of 2560 x 1600, and supports audio out the connector. Full bandwidth transmission is supported over a two meter cable, with reduced bandwidth transmission supported up to a length of 15 meters.

Table 16 provides the pinout of the DisplayPort connector.

Table 16 DisplayPort Connector (CN4)

Pin	Signal	Standard Function	Dual-mode (DP++) Function (DVI / HDMI mode) ¹	In/Out
1	LN0+	Main Link, Lane 0 (positive)	TMDS Channel 2 (positive)	out
2	GND	Ground	Ground	out
3	LN0-	Main Link, Lane 0 (negative)	TMDS Channel 2 (negative)	out
4	LN1+	Main Link, Lane 1 (positive)	TMDS Channel 1 (positive)	out
5	GND	Ground	Ground	out
6	LN1-	Main Link, Lane 1 (negative)	TMDS Channel 1 (negative)	out
7	LN2+	Main Link, Lane 2 (positive)	TMDS Channel 0 (positive)	out
8	GND	Ground	Ground	out
9	LN2-	Main Link, Lane 2 (negative)	TMDS Channel 0 (negative)	out
10	LN3+	Main Link, Lane 3 (positive)	TMDS Clock (positive)	out
11	GND	Ground	Ground	out
12	LN3-	Main Link, Lane 3 (negative)	TMDS Clock (negative)	out
13	CFG1	Configuration Pin 1	Cable Adapter Detect	out
14	CFG2	Configuration Pin 2	Consumer Electronics Control ²	out
15	AUX+	Auxiliary Channel (positive)	DDC Clock	in/out
16	GND	Ground	Ground	out
17	AUX-	Auxiliary Channel (negative)	DDC Data	in/out
18	HPD	Hot Plug Detect	Hot Plug Detect	in
19	DPG	Return for DPV	Return for DPV	out
20	DPV	+3.3V DC Power	+3.3V DC Power	out

1. Requires special passive adapter

2. HDMI mode only

Facing the connector pins of the DisplayPort connector (**CN4**), the pinout is:

19	17	15	13	11	9	7	5	3	1
DPG	AUX-	AUX+	CFG1	GND	LN2-	LN2+	GND	LN0-	LN0+
DPV	HPD	GND	CFG2	LN3-	LN3+	GND	LN1-	LN1+	GND
20	18	16	14	12	10	8	6	4	2

SATA Data Connector (CN15)

SATA Data Connector (**CN15**) provides a SATA host interface connection on a vertical surface mount SATA data connector.

For more information on configuring the SATA ports on the CMA34CR, refer to on page 61.

Serial Port 1 (CN7) and Serial Port 2 (CN8)

Serial Port 1 (COM1) is implemented on connector **CN7**, and Serial Port 2 (COM2) is implemented on connector **CN8**. The serial ports are normally configured as PC compatible full-duplex RS-232 ports, but you may use the BIOS Setup program to reconfigure these ports as half-duplex RS-422 or full-duplex RS-422 or RS-485. If you reconfigure the ports, you must also select the I/O address and corresponding interrupt using Setup. Table 17 provides the standard I/O addresses and corresponding interrupts. The serial ports support Auto-RTS, Auto-CTS and can be set for non-standard baud rates using the multiplier in the BIOS setup.

Table 17 Serial Port Settings

I/O Address (hex)	IRQ
03F8	IRQ4
02F8	IRQ3
03E8	IRQ4
02E8	IRQ3

Serial Port UART

The serial ports are implemented with a 16550/16750-compatible UART (Universal Asynchronous Receiver/Transmitter). This UART is capable of baud rates up to 115.2 kbaud, and includes a 512-byte FIFO. Refer to any standard PC-AT hardware reference for the register map of the UART.

Non-Standard Baud Rates

The serial ports are capable of running at higher speeds than the standard 115.2 kbaud. In the BIOS you can navigate to Advanced -> RTD Advanced Options -> RTD Serial Port control. In this menu you can select different serial port baud rate multipliers. Each serial port has their own multiplier option and can increase the baud rates x4, x8, x8.7 for maximum baud rates of 460.8k, 921.6k and 1M respectively. So, for example, to operate a serial port at 921.6 kbaud, set the multiplier to x8 in the BIOS, and set the port speed to 115.2 kbaud in the software.

FIFO Size

The standard FIFO size for a 16550 UART is 16 bytes. The UARTs for the serial ports actually use a 512 byte FIFO, although the "full" and "empty" flags emulate the standard size. The UARTs can be placed into 16750 mode by setting bit 5 of the LCR and FCR, which increases the emulated FIFO size to 64 bytes.

THRE Enhanced Mode

The THRE bit in the LSR register normally is set when the Transmit FIFO is empty, and cleared when the Transmit FIFO is not empty. There is no indication of when the FIFO is full, so software must keep track of how many bytes are written to the FIFO. In the BIOS you can navigate to Advanced -> RTD Advanced Options -> RTD Serial Port control and change the "LSR-THRE Optional Mode" to "Non-Standard." This causes the THRE bit to be cleared only when the Transmit FIFO is 64 bytes less than full (or 448 bytes in the FIFO). Software can then keep writing data until the THRE bit is set, and then write 64 more bytes. For most applications, enabling this bit will result in more efficient transmitting with no changes to the software.

RS-232 Serial Port (Default)

The default serial port mode is full-duplex RS-232. With this mode enabled, the serial port connectors must be connected to RS-232 compatible devices. Table 18 provides the serial port connector pinout and shows how to connect to an external DB-25 or DB-9 compatible serial connector.

Table 18 Serial Port in RS-232 Mode

Pin	Signal	Function	In/Out	DB-25	DB-9
1	DCD	Data Carrier Detect	in	8	1
2	DSR	Data Set Ready	in	6	6
3	RXD	Receive Data	in	3	2
4	RTS	Request To Send	out	4	7
5	TXD	Transmit Data	out	2	3
6	CTS	Clear To Send	in	5	8
7	DTR	Data Terminal Ready	out	20	4
8	RI	Ring Indicate	in	22	9
9,10	GND	Signal Ground	—	7	5

Facing the serial port's connector pins, the pinout is:

9	7	5	3	1
GND	DTR	TXD	RXD	DCD
GND	RI	CTS	RTS	DSR
10	8	6	4	2

RS-422 or RS-485 Serial Port

You may use the BIOS setup utility to configure the serial ports as RS-422 or RS-485. In this case, you must connect the serial port to an RS-422 or RS-485 compatible device.

When using RS-422 mode, you can use the serial ports in either half-duplex (two-wire) or full-duplex (four-wire) configurations.



Note The `cpuModule` has a 120 Ohm termination resistor. Termination is usually necessary on all RS-422 receivers and at the ends of the RS-485 bus. Termination resistors can be enabled in the BIOS setup utility.

When using full-duplex in RS-422 mode, connect the ports as shown in Table 19.

Table 19 Full-Duplex Connections

Port 1	Port 2
RXD+	TXD+
TXD+	RXD+
RXD-	TXD-
TXD-	RXD-

In RS-485 mode, the connection of the ports is always half-duplex, as the transceivers' transmitters are connected to the receivers internally.

RS-422 Mode Pinout

Table 20 provides the serial port connector pinout when RS-422 mode is enabled.

Table 20 Serial Port in RS-422 Mode

Pin	Signal	Function	In/Out	DB-9
1	TXD-	Transmit Data (-)	out	1
2	—	Reserved	—	6
3	TXD+	Transmit Data (+)	out	2
4	—	Reserved	—	7
5	RXD+	Receive Data (+)	in	3
6	—	Reserved	—	8
7	RXD-	Receive Data (-)	in	4
8	—	Reserved	—	9
9,10	GND	Signal Ground	out	5

Facing the serial port connector, the pinout is:

9	7	5	3	1
GND	RXD-	RXD+	TXD+	TXD-
GND	Rsvd	Rsvd	Rsvd	Rsvd
10	8	6	4	2



WARNING The pinout of the COM ports in RS-422 mode is **not** compatible with previous generations of RTD cpuModules.

RS-485 Mode Pinout

Table 21 provides the serial port connector pinout when RS-482 mode is enabled

Table 21 Serial Port in RS-485 Mode

Pin	Signal	Function	In/Out	DB-9
1	D-	Data (-)	in/out	1
2	—	Reserved	—	6
3	D+	Data (+)	in/out	2
4	—	Reserved	—	7
5	—	Reserved	—	3
6	—	Reserved	—	8
7	—	Reserved	—	4
8	—	Reserved	—	9
9,10	GND	Signal Ground	out	5

Facing the serial port connector, the pinout is:

9	7	5	3	1
GND	Rsvd	Rsvd	D+	D-
GND	Rsvd	Rsvd	Rsvd	Rsvd
10	8	6	4	2



WARNING The pinout of the COM ports in RS-485 mode is **not** compatible with previous generations of RTD cpuModules.



Note When using the serial port in RS-485 mode, the serial transmitters are enabled and disabled under software control. The transmitters are enabled by manipulating the Request To Send (RTS*) signal of the serial port controller. This signal is controlled by writing bit 1 of the Modem Control Register (MCR) as follows:

- If MCR bit 1 = 1, then RTS* = 0, and serial transmitters are disabled
- If MCR bit 1 = 0, then RTS* = 1, and serial transmitters are enabled

Note For more information on the serial port registers, including the MCR, refer to the Serial Port Programming reference in Appendix D.

Dual Serial Port Modes

The serial port connectors can be configured as dual serial ports in the BIOS. The mapping between the connectors and COM port numbers is shown in Table 22. The supported combinations of serial port modes are listed in Table 23, which also includes a reference to the corresponding connector pinout.

Table 22 Dual Serial Port Connections

Connector	COM A	COM B
CN7	COM 1	COM 3
CN8	COM 2	COM 4

Table 23 Dual Serial Port Modes

COM A	COM B	Pinout Reference	Echo Mode
RS-232	RS-232	Table 24	—
RS-422	RS-422	Table 25	—
RS-485	RS-485	Table 26	echo cancelled
RS-485	RS-485	Table 25	with echo ¹

1. Dual RS-485 mode with echo uses dual RS-422 mode pinout



WARNING The dual serial port mode pinouts of the COM ports are **not** compatible with previous generations of RTD cpuModules.



Note The cpuModule has 120 Ohm termination resistors. Termination is usually necessary on all RS-422 receivers and at the ends of the RS-485 bus. Termination resistors can be enabled in the BIOS setup utility. When termination is enabled in dual port mode, it is enabled for both ports.

Table 24 COM A (RS-232) and COM B (RS-232)

Pin	Signal	Function	In/Out	DB-9
1	DCD1	COM A - Data Carrier Detect	in	1
2	CTS1	COM A - Clear to Send	in	6
3	RXD1	COM A - Receive Data	in	2
4	TXD2	COM B - Transmit Data	out	7
5	TXD1	COM A - Transmit Data	out	3
6	RXD2	COM B - Receive Data	in	8
7	RTS1	COM A - Ready to Send	out	4
8	RI1	COM A - Ring Indicate	in	9
9,10	GND	Signal Ground	—	5

Table 25 COM A (RS-422) and COM B (RS-422)¹

Pin	Signal	Function	In/Out	DB-9
1	TXD1-	COM A- Transmit Data(-)	out	1
2	TXD2-	COM B- Transmit Data (-)	out	6
3	TXD1+	COM A - Transmit Data (+)	out	2
4	TXD2+	COM B - Transmit Data (+)	out	7
5	RXD1+	COM A - Receive Data (+)	in	3
6	RXD2+	COM B - Receive Data (+)	in	8
7	RXD1-	COM A - Receive Data (-)	in	4
8	RXD2-	COM B - Receive Data (-)	in	9
9,10	GND	Signal Ground	—	5

1. Dual RS-485 mode with echo uses dual RS-422 mode pinout

Table 26 COM A (RS-485) and COM B (RS-485)

Pin	Signal	Function	In/Out	DB-9
1	D1-	COM A- Data (-)	in/out	1
2	D2-	COM B - Data (-)	in/out	6
3	D1+	COM A - Data (+)	in/out	2
4	D2+	COM B - Data (+)	in/out	7
5	—	Reserved	—	3
6	—	Reserved	—	8
7	—	Reserved	—	4
8	—	Reserved	—	9
9,10	GND	Signal Ground	—	5

Advanced Digital I/O (aDIO™) Port (CN6)

Connector **CN6** is configured as an aDIO port. aDIO is 12 digital bits configured as 8-bit programmable and 4-bit port programmable I/O, providing any combination of inputs and outputs. Match, event, and strobe interrupt modes mean no more wasting valuable processor time polling digital inputs. Interrupts are generated when the 8-bit programmable digital inputs match a pattern, or on any value change event. Bit masking allows selecting any subgroup of 8 bits. The strobe input latches data into the bit programmable port and generates an interrupt. Refer to *Advanced Digital I/O Ports (aDIO™)*— page 57 for information on programming the aDIO.

Table 27 aDIO Pinout

CN6 Pin	Function	CN6 Pin	Function
1	P0-0	2	P0-1
3	P0-2	4	P0-3
5	P0-4	6	P0-5
7	P0-6	8	P0-7
9	strobe 0	10	strobe 1
11	P1-0	12	P1-1
13	P1-2	14	P1-3
15	GND	16	+5 V ¹

1. Available during standby.

USB 2.0 Connector (CN17)

Two USB 2.0 compliant connectors are available on connector **CN17**. Table 28 provides the pinout of the USB connector.

Table 28 USB Connector (CN17)

Pin	Signal	Function	In/Out
1	VCC1	Supply +5 V to USB1	out
2	VCC2	Supply +5 V to USB2	out
3	DATA1-	Bidirectional data line for USB1	in/out
4	DATA2-	Bidirectional data line for USB2	in/out
5	DATA1+	Bidirectional data line for USB1	in/out
6	DATA2+	Bidirectional data line for USB2	in/out
7	GND	Ground	out
8	GND	Ground	out
9	Shield	Shield Ground. Connected to GND through a ferrite bead.	-
10	Shield	Shield Ground. Connected to GND through a ferrite bead.	-

Facing the connector pins, the pinout of **CN17** is:

9	7	5	3	1
GND	GND	DATA1+	DATA1-	VCC1
GND	GND	DATA2+	DATA2-	VCC2
10	8	6	4	2



Note For proper operation at USB 2.0 speeds, be sure to use a cable that is rated for USB 2.0, such as the cable kit supplied by RTD.

Ethernet (10/100/1000Base-T and -TX) Connectors (CN20 and CN30)

This connector provides a 10/100/1000Base-T Ethernet connection. Table 29 provides the pinout of the Ethernet connector. For 1000Base-T, all four pairs are used for transmit and receive.

To use the onboard 10/100/1000 Ethernet controller, Ethernet must be enabled in the BIOS.

When enabled, the multi-color LED will blink to indicate an Ethernet connection. For more information, refer to the *Multi-Color LED* section on page 68.

Table 29 Ethernet Connector (CN20 and CN30)

RJ-45 Pin	10-Pin DIL Pin	Signal	Function
3	1	B+ (RX+)	Receive+ (10/100)
6	2	B- (RX-)	Receive- (10/100)
4	3	C+	
5	4	C-	
1	5	A+ (TX+)	Transmit+ (10/100)
2	6	A- (TX-)	Transmit- (10/100)
7	7	D+	
8	8	D-	
—	9	AGND	Ethernet Ground
—	10	AGND	Ethernet Ground

9	7	5	3	1
AGND	D+	A+	C+	B+
AGND	D-	A-	C-	B-
10	8	6	4	2

PCIe/104 Type 2 Bus (CN1 - Top and CN2 - Bottom)

Connectors **CN1** and **CN2** carry the signals of the PCIe/104 PCIe bus. These signals match definitions found in the **PCI/104-Express & PCIe/104 Specification Version 2.10** from the PC/104 Embedded Consortium. Table 30 lists the pinouts of the PC/104-Express bus connector.



WARNING Not all PCIe cards are compatible with the PCIe/104 Type 2 connector. Be sure that all of the boards attached to this bus are compatible before powering the system.



Note 3.3V is not required for CPU operation. All power for the CPU is supplied either through the Auxiliary power connector (**CN3**) or through a power supply in the stack.

Table 30 PCIe/104 Type 2 Bus Signal Assignments (Top View)¹

Pin	Signal	Signal	Pin
1	USB_OC#	PE_RST#	2
3	+3.3V	+3.3V	4
5	USB_1p	USB_0p	6
7	USB_1n	USB_0n	8
9	GND	GND	10
11	PEx1_1Tp	PEx1_0Tp	12
13	PEx1_1Tn	PEx1_0Tn	14
15	GND	GND	16
17	PEx1_2Tp	PEx1_3Tp	18
19	PEx1_2Tn	PEx1_3Tn	20
21	GND	GND	22
23	PEx1_1Rp	PEx1_0Rp	24
25	PEx1_1Rn	PEx1_0Rn	26
27	GND	GND	28
29	PEx1_2Rp	PEx1_3Rp	30
31	PEx1_2Rn	PEx1_3Rn	32
33	GND	GND	34
35	PEx1_1Clkp	PEx1_0Clkp	36
37	PEx1_1Clkn	PEx1_0Clkn	38
39	+5V_STBY	+5V_STBY	40
41	PEx1_2Clkp	PEx1_3Clkp	42
43	PEx1_2Clkn	PEx1_3Clkn	44
45	CPU_DIR	PWRGOOD	46
47	SMB_Data	PEx4_Clkp	48
49	SMB_Clock	PEx4_Clkn	50
51	SMB_Alert#	PSON#	52

+5 Volts

Table 30 PCIe/104 Type 2 Bus Signal Assignments (Top View)¹

Pin	Signal	Signal	Pin
53	STK0 / WAKE#	STK1	54
55	GND	GND	56
57	PEx4_1T(0)p	PEx4_0T(0)p	58
59	PEx4_1T(0)n	PEx4_0T(0)n	60
61	GND	GND	62
63	PEx4_1T(1)p	PEx4_0T(1)p	64
65	PEx4_1T(1)n	PEx4_0T(1)n	66
67	GND	GND	68
69	PEx4_1T(2)p	PEx4_0T(2)p	70
71	PEx4_1T(2)n	PEx4_0T(2)n	72
73	GND	GND	74
75	PEx4_1T(3)p	PEx4_0T(3)p	76
77	PEx4_1T(3)n	PEx4_0T(3)n	78
79	GND	GND	80
81	SATA_1Tp	SATA_0Tp	82
83	SATA_1Tn	SATA_0Tn	84
85	GND	GND	86
87	SSTX1p	SSTX0p	88
89	SSTX1n	SSTX0n	90
91	GND	GND	92
93	Reserved	Reserved	94
95	Reserved	Reserved	96
97	GND	GND	98
99	Reserved	Reserved	100
101	Reserved	Reserved	102
103	GND	GND	104

+5 Volts

Table 30 PCIe/104 Type 2 Bus Signal Assignments (Top View)¹

Pin	Signal	Signal	Pin
105	STK2	Reserved	106
107	GND	GND	108
109	PEx4_1R(0)p	PEx4_0R(0)p	110
111	PEx4_1R(0)n	PEx4_0R(0)n	112
113	GND	GND	114
115	PEx4_1R(1)p	PEx4_0R(1)p	116
117	PEx4_1R(1)n	PEx4_0R(1)n	118
119	GND	GND	120
121	PEx4_1R(2)p	PEx4_0R(2)p	122
123	PEx4_1R(2)n	PEx4_0R(2)n	124
125	GND	GND	126
127	PEx4_1R(3)p	PEx4_0R(3)p	128
129	PEx4_1R(3)n	PEx4_0R(3)n	130
131	GND	GND	132
133	SATA_1Rp	SATA_0Rp	134
135	SATA_1Rn	SATA_0Rn	136
137	GND	GND	138
139	SSRX1p	SSRX0p	140
141	SSRX1n	SSRX0n	142
143	GND	GND	144
145	Reserved	Reserved	146
147	Reserved	Reserved	148
149	GND	GND	150
151	Reserved	Reserved	152
153	Reserved	Reserved	154
155	GND	GND	156

+12 Volts

1. Signals marked with (#) are active low.

PCIe/104 Type 2 Compatibility

The PCIe/104 Type 2 connector is compatible with any PCI/104-Express or PCIe/104 peripheral module that does not use the x16 Link. This includes any card that uses the PCIe x1 links, USB, or a power supply. In addition, this connector can be used to add SATA devices to the system.

If a card is installed that is not compatible with the Type 2 connector, the CPU will keep the system in soft-off, and the LED will be Cyan to indicate that there is a Bus Stacking Error. If this feature is not desired **JP6** can be installed to disable the Bus Stacking Error feature.

USB 3.0

This module supports USB 3.0, or SuperSpeed USB, on the CN1 and CN2 bus connectors. There are two USB 3.0 links available on the top bus connector (CN1) and two links available on the bottom bus connector (CN2). The links are provided by the Intel Chipset. Drivers are available for Windows 7 and Windows 8. Linux support is available in Kernel version 2.6.37 or later. Early Linux support for USB 3.0 has been shown to have issues with USB 3.0 Hubs, therefore we recommend using Kernel version 3.1.0 or later.

Each USB 3.0 link consists of a high-speed TX and RX differential pair for SuperSpeed, and a bi-directional differential pair for HighSpeed, FullSpeed, and LowSpeed. Typically, a USB 3.0 Hub will use both sets of signals, and USB Devices will use one set or the other. In order for USB 3.0 to function correctly, the SuperSpeed and HighSpeed signals for a specific link must go to the same endpoint. Therefore, if both USB 3.0 and USB 2.0 boards are used in the same system, the USB 3.0 boards must be closer to the CPU than the USB 2.0 boards. Otherwise the USB 2.0 boards will shift the HighSpeed signals without shifting the SuperSpeed signals, and the link association will be broken.

Optional RTC Battery Input (CN13)

The optional RTC battery input is the connection for an external backup battery. This battery is used by the cpuModule when system power is removed in order to preserve the date and time of the real time clock.

Connecting a battery is only required to maintain time when power is completely removed from the cpuModule. A battery is not required for board operation.

Table 31 Optional RTC Battery Input (CN13)

Pin	Signal	Function
1	BAT	RTC Battery Input
2	GND	Ground



WARNING This optional RTC battery connector (CN13) should be left unconnected if the Utility Port 2.0 connector (CN5) has a battery connected.

Fan Power (CN12)

The fan power connector (CN12) is an optional fan connector which allows the system to power a fan for use under high temperatures.

To utilize this connector, refer to the *Thermal Management* section on page 65.

Table 32 Fan Power, Switched (CN12)

Pin	Signal	Function
1	CPU_FAN_PWM	+5 Volts DC, Switched
2	GND	Ground
3	FAN_TACH	Fan Tachometer Input

Chapter 4 Using the cpuModule

This chapter provides information for users who wish to develop their own applications programs for the CMA34CR cpuModule.

This chapter includes information on the following topics:

The RTD Enhanced BIOS — page 54

Onboard PCI/PCIe Devices — page 56

Advanced Digital I/O Ports (aDIO™) — page 57

SATA Controller Configuration — page 62

Real Time Clock Control — page 62

Watchdog Timer Control — page 64

Thermal Management — page 65

Power Management — page 66

Multi-Color LED — page 68

Reset Status Register — page 69

Features and Settings That Can Affect Boot Time — page 70

System Recovery — page 71

The RTD Enhanced BIOS

The RTD Enhanced BIOS is software that interfaces hardware-specific features of the cpuModule to an operating system (OS). Physically, the BIOS software is stored in a Flash EPROM on the cpuModule. Functions of the BIOS are divided into two parts.

The first part of the BIOS is known as POST (power-on self-test) software, and it is active from the time power is applied until an OS boots (begins execution). POST software performs a series of hardware tests, sets up the machine as defined in Setup, and begins the boot of the OS.

The second part of the BIOS is known as the CORE BIOS. It is the normal interface between cpuModule hardware and the OS which is in control. It is active from the time the OS boots until the cpuModule is turned off. The CORE BIOS provides the system with a series of software interrupts to control various hardware devices.

Configuring the RTD Enhanced BIOS

The cpuModule Setup program allows you to customize the cpuModule's configuration. Selections made in Setup are stored on the board and are read by the BIOS at power-on.

Entering the BIOS Setup through the Graphical BIOS Menu

To launch Setup, apply power or rebooting the cpuModule and repeatedly press the **Escape** key. This will bring you to a graphical Setup menu with several options described in Table 33, below.

To enter Setup, navigate to select the "SCU" option with the arrow keys, and press **Enter**.



Table 33 Graphical Menu Options

Option	Function
Continue	Exit the graphical menu, and proceed with booting
Boot Manager	Select a device to boot to during the current power cycle, which will override the selected boot device order in Setup
Device Management	Set the primary video BIOS during the current power cycle, and view a list of the system's detected device (disk, video, network, input, etc.)
Boot From File	Displays a list of bootable files in the system
SCU	Traditional BIOS Setup

Field Selection

To move between fields in Setup, use the keys listed below. When you are finished with Setup, save your changes and exit. The system will automatically reboot.

Table 34 Setup Keys

Key	Function
F1	Help
→, ←, ↓, ↑	Move between fields
F5, F6	Selects next/previous values in fields
Enter	Go to the submenu for the field
Esc	To previous menu then to exit menu
F9	Load Setup defaults
F10	Save settings and exit Setup

Main Menu Setup Fields

The following is a list of Main Menu Setup fields.

Table 35 Main Menu Setup Fields

Field	Active Keys	Selections
Main	Press Enter to select	Access system information such as the cpuModule's serial number, CPU speed and type, BIOS version, FPGA version, and CMOS time and date settings.
Advanced	Press Enter to select	Setup advanced RTD cpuModule features such as boot options, SATA links, USB ports, aDIO and serial port configuration, and miscellaneous feature control.
Security	Press Enter to select	Setup the supervisor access password
Power	Press Enter to select	Setup advanced power modes, power-state control, and enable system wake options
Boot	Press Enter to select	Set the system boot sequence
Exit	Press Enter to select	Save or discard changes and exit the BIOS, or load the default BIOS settings



Note Future BIOS versions may have slightly different setup menus and options.

Note The Main page shows the **BIOS Version** number. This number can be useful if you need tech support for your cpuModule.



WARNING Incorrect modifications to the BIOS can cause your system to break. If you are unsure of any changes made to the BIOS there is a **Load RTD Defaults** option under the **Exit** tab in the **SCU**. This option restores the BIOS to the default factory settings.

Onboard PCI/PCIe Devices

The CMA34CR cpuModule has several onboard PCI/PCIe devices, all of which are listed in the table below. This table shows a typical configuration, and the actual devices may change based on BIOS settings.

Table 36 Onboard PCI Devices

Device ID	Vendor ID	Description
0154	8086	Host bridge
0166	8086	VGA-compatible Controller
1E31	8086	Universal Serial Bus (USB)
1E3A	8086	Other Communications Device
1E2D	8086	Universal Serial Bus (USB)
1E10	8086	PCI-to-PCI Bridge
1E1E	8086	PCI-to-PCI Bridge
1E26	8086	Universal Serial Bus (USB)
1E55	8086	ISA Bridge
1E03	8086	SATA Controller
1E22	8086	SMBus (System Management Bus)
8605	10B5	PCI-to-PCI Bridge
8605	10B5	PCI-to-PCI Bridge
8605	10B5	PCI-to-PCI Bridge
8605	10B5	PCI-to-PCI Bridge
10D3	8086	Ethernet Controller (CN20)
10D3	8086	Ethernet Controller (CN30)

Advanced Digital I/O Ports (aDIO™)

This board supports 12 bits of TTL/CMOS compatible digital I/O (TTL signaling). These I/O lines are grouped into two ports, Port 0 and Port 1. Port 0 is bit programmable; Port 1 is byte programmable. Port 0 supports RTD's Advanced Digital Interrupt modes. The three modes are strobe, match and event. Strobe mode generates an interrupt and latches Port 0 when the strobe input transitions from low to high. Match mode generates an interrupt when an 8-bit pattern is received in parallel that matches the match mask register. Event mode generates an interrupt when a change occurs on any bit. In any mode, masking can be used to monitor selected lines.

When the CPU boots, all digital I/O lines are programmed as inputs, meaning that the digital I/O line's initial state is undetermined. If the digital I/O lines must power up to a known state, an external 10 k-Ohm resistor must be added to pull the line high or low.

The 8-bit control read/write registers for the digital I/O lines are located from I/O address EC0h to EC3h. These registers are written to zero upon power up. From EC0h to EC3h, the name of these registers are **Port 0 data**, **Port 1 data**, **Multi-Function**, and **DIO-Control** register.



Note While the 16-pin aDIO connector is pin-for-pin compatible with previous generations of RTD cpuModules (such as the Core 2 Duo series), the hardware is slightly different, and requires that writes and reads to/from the aDIO ports happen no more than once per millisecond. Migrating legacy software to the CMA34CR that utilizes RTD's Advanced Digital I/O may require that you add this delay prior to all reads and writes.

Note RTD provides drivers that support the aDIO interface on popular operating systems. RTD recommends using these drivers instead of accessing the registers directly.

Digital I/O Register Set

Table 37 Port 0 Data I/O Address EC0h

D7	D6	D5	D4	D3	D2	D1	D0
P0.7	P0.6	P0.5	P0.4	P0.3	P0.2	P0.1	P0.0

Port 0 Data register is a read/write bit direction programmable register. A particular bit can be set to input or output. A read of an input bit returns the value of port 0. A read of an output bit returns the last value written to Port 0. A write to an output bit sends that value to port 0.

Table 38 Port 1 Data I/O Address EC1h

D7	D6	D5	D4	D3	D2	D1	D0
Reserved	Reserved	Reserved	Reserved	P1.3	P1.2	P1.1	P1.0

Port 1 Data register is a read/write byte direction programmable register. A read on this register when it is programmed to input will read the value at the aDIO connector. A write on this register when it is programmed as output will write the value to the aDIO connector. A read on this register when it is set to output will read the last value sent to the aDIO connector.

Table 39 Multi-Function I/O Address EC2h

D7	D6	D5	D4	D3	D2	D1	D0
----	----	----	----	----	----	----	----

The multi-function register is a read/write register whose contents are set by the DIO-Control register. See the DIO-Control register description for a description of this register.

Table 40 DIO-Control I/O Address EC3h—Read Access

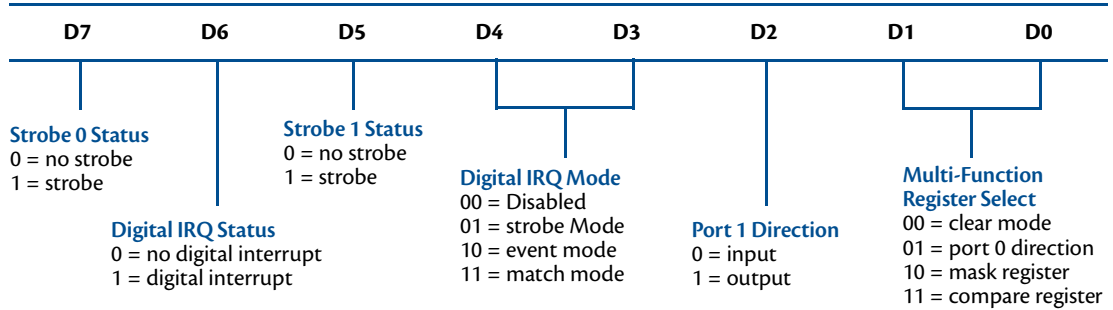


Table 41 DIO-Control I/O Address EC3h—Write Access

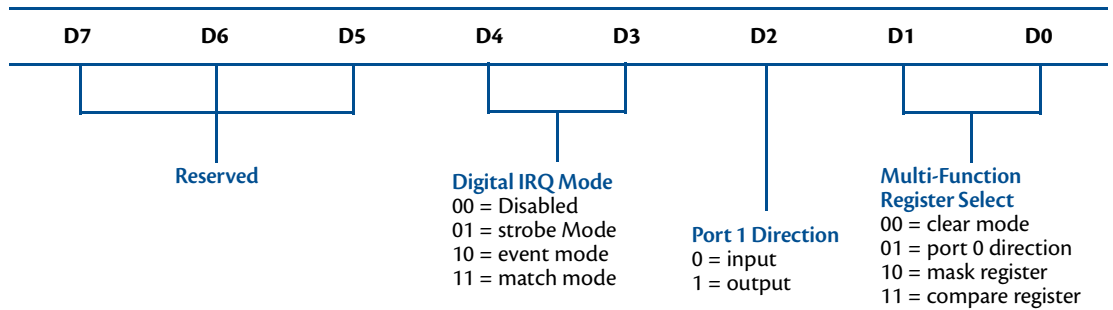


Table 42 Multi-Function at Address EC2h¹

read/write	00 clear	X	X	X	X	X	X	X	X
0 in, 1 out	01 Port 0 direction	I/O	I/O	I/O	I/O	I/O	I/O	I/O	I/O
0 no mask, 1 mask	10 DIO mask	M7	M6	M5	M4	M3	M2	M1	M0
read/write	11 compare	C7	C6	C5	C4	C3	C2	C1	C0

1. Contents based on bits D0 and D1 of DIO-Control.

Clear Register:

A read to this register Clears the IRQs and a write to this register sets the DIO-Compare, DIO- Mask, DIO-Control, Port 1, and Port 0 to zeros. A write to this register is used to clear the board.

Port 0 Direction Register:

Writing a zero to a bit in this register makes the corresponding pin of the aDIO connector an input. Writing a one to a bit in this register makes the corresponding pin of the aDIO connector an output.

Mask Register:

Writing a zero to a bit in this register will not mask off the corresponding bit in the DIO-Compare register. Writing a one to a bit in this register masks off the corresponding bit in the DIO-Compare register. When all bits are masked off the aDIOs comparator is disabled. This condition means Event and Match mode will not generate an interrupt. This register is used by Event and Match modes.

Compare Register:

A Read/Write register used for Match Mode. Bit values in this register that are not masked off are compared against the value on Port 0. A Match or Event causes bit 6 of DIO-Control to be set and if the aDIO is in Advanced interrupt mode, the Match or Event causes an interrupt.

Port 1 Data register is a read/write byte direction

Interrupts

In order to use an interrupt with aDIO, the interrupt must first be selected in the BIOS setup utility under **Advanced, I/O Devices, aDIO Configuration, aDIO Interrupt**. The Digital I/O can use interrupts 3, 5, 6, 10, and 11. To configure the aDIO interrupt, navigate to the BIOS Setup option, the “Advanced”, “RTD aDIO”, and “aDIO Interrupt” menu options. The BIOS will automatically reserve the selected interrupt so that it is not assigned to PCI devices. Then, select the appropriate interrupt mode in the DIO Control register.

Advanced Digital Interrupts

There are three Advanced Digital Interrupt modes available. These three modes are Event, Match, and Strobe. The use of these three modes is to monitor state changes at the aDIO connector. Interrupts are enabled by writing to the **Digital IRQ Mode** field in the **DIO-Control** register.

Event Mode

When this mode is enabled, Port 0 is latched into the DIO-Compare register at 8.33 MHz. The aDIO circuitry includes deglitching logic. The deglitching requires pulses on Port 0 to be at least 120 ns in width. As long as changes are present longer than that, the event is guaranteed to register. Pulses as small as 60 ns can register as an event, but they must occur between the rising and falling edge of the 8.33 MHz clock. To enter Event mode, set bits [4:3] of the DIO-Control register to “10”.

Match Mode

When this mode is enabled, Port 0 is latched into the DIO-Compare register at 8.33 MHz. The aDIO circuitry includes deglitching logic. The deglitching requires pulses on Port 0 to be at least 120 ns in width. As long as changes are present longer than that, the match is guaranteed to register. Pulses as small as 60 ns can register as a match, but they must occur between the rising and falling edge of the 8.33 MHz clock. To enter Match mode, set bits [4:3] of the DIO-Control register to “11”.



Note Make sure bits [4:3] are set BEFORE writing the DIO-Compare register. If you do not set them first, the contents of the DIO-Compare register could be lost because the Event mode latches in Port 0 into the DIO-Compare register.

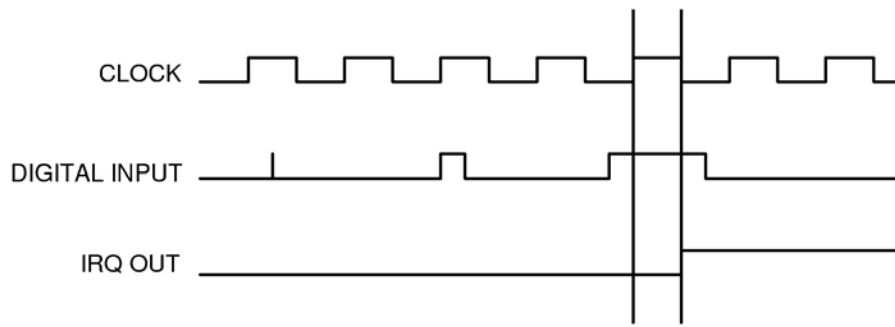


Figure 6 aDIO Match Mode

Strobe Mode

Another interrupt mode supported by aDIO is Strobe mode. This allows the strobe pin of the DIO connector to trigger an interrupt. A low to high transition on the strobe pin will cause an interrupt request. The request will remain high until the Clear Register is read from. Additionally, the Compare Register latched in the value at Port 0 when the Strobe pin made a low to high transition. No further strobos will be available until a read of the Compare Register is made. You must read the Compare Register, and then clear interrupts so that the latched value in the compare register is not lost. To enter Strobe mode, set bits [4:3] of the DIO-Control register to "01".

SATA Controller Configuration

The CMA34CR has a combined total of six SATA links. Four SATA links reside on the top and bottom PCIe/104 Type 2 connectors (**CN1** and **CN2**).

A fifth is available on a standard SATA data connector (**CN15**), on the South side of the board. The sixth SATA link connects to the onboard SATA storage.

The SATA links on **CN1** operate at SATA revision 3, with transfers up to 6 GB/s. All other SATA links including connectors **CN2**, **CN15**, and the onboard storage operate at SATA revision 2, with transfers up to 3 GB/s.

Table 43 SATA Host Controller Modes of Operation

Chipset Port	Designator	Function	Native IDE Mode	AHCI Mode
0	CN1 , 0	PCIe Type 2 bus (top)	Device 31: Function 2	Device 31: Function 2
1	CN1 , 1	PCIe Type 2 bus (top)	Device 31: Function 2	Device 31: Function 2
2	—	Onboard SATA Storage	Device 31: Function 2	Device 31: Function 2
3	CN2 , 0	PCIe Type 2 bus (bottom)	Device 31: Function 2	Device 31: Function 2
4	CN2 , 1	PCIe Type 2 bus (bottom)	Device 31: Function 5	Device 31: Function 5
5	CN15	SATA Data Connector	Device 31: Function 5	Device 31: Function 5

Onboard SATA Storage

The cpuModule was designed to be used in embedded computing applications. In such environments, rotating media like hard disks are not very desirable. It is possible to eliminate rotating storage devices by placing your operating system and application software into the cpuModule's onboard SATA storage.

The onboard SATA storage will always be connected through the SATA controller, meaning it will always be shown as a SATA device.

SATA Links on the PCIe/104 Type Connectors

The SATA links on the top and bottom-side PCIe/104 Type connectors (**CN1** & **CN2**) are connected to a SATA controller which can be configured for either AHCI or Native IDE in the BIOS Setup. However, the operating system must support the selected mode for the device to operate correctly. The default configuration for the controller is AHCI Mode.

Real Time Clock Control

The cpuModule is equipped with a Real Time Clock (RTC) which provides system date and time functions. When the cpuModule is turned off, a battery must be attached to the Utility Port 2.0 connector (**CN5**) to provide power to the RTC. Without power, the RTC will lose the date/time information when the system is turned off.

The RTC also provides an “alarm” function. This may be used to generate an interrupt at a particular time and day. This feature is commonly used to wake up the system from Sleep/Standby to run a scheduled task (defragment the hard drive, back up files, etc.).

In addition to the date/time/alarm functions, the RTC contains several bytes of battery-backed RAM, commonly called CMOS memory. In a typical desktop PC, the CMOS memory is used by the BIOS to store user settings. This RTD cpuModule uses onboard flash to store user BIOS settings. Except for a few well-known CMOS locations which are automatically populated for legacy compatibility, the CMOS memory is largely unused and should be considered “Reserved”.



Note *Alternative battery inputs reside on the Optional RTC Battery Input (CN13) as well as the PCIe/104 Type 2 Bus connectors (CN1 & CN2).*



WARNING *Only one RTC battery input connection should be used at a time. The other should remain unconnected.*

Watchdog Timer Control

The cpuModule includes a Watchdog Timer, which provides protection against programs “hanging”, or getting stuck in an execution loop where they cannot respond correctly. The watchdog timer consists of a counter, a reset generator, and an interrupt generator. When the counter reaches the interrupt time-out, it can generate an interrupt. When the counter reaches the reset time-out, the system is reset. The counter is “refreshed,” or set back to zero by reading from a specific register. The watchdog can also be put into an “inactive” state, in which no resets or interrupts are generated.

The ability to generate an interrupt allows the application to gracefully recover from a bad state. For example, consider a system that has a reset time-out of 2 seconds, interrupt time-out of 1 second, and the watchdog timer is refreshed every 0.5 seconds. If something goes wrong, an interrupt is generated. The Interrupt service routine then attempts to restart the application software. If it is successful, the application is restarted in much less time than a full reboot would require. If it is not successful, the system is rebooted.

Due to system latency, it is recommended that the Watchdog be refreshed at about half of the reset time-out period, or half of the interrupt time-out period, whichever is applicable.

Register Description

The Advanced Watchdog Timer has a Setup Register and a Runtime Register. The Setup Register is set by the BIOS, and can be adjusted by entering the BIOS Setup Utility, and going to “Advanced”, “RTD Advanced Options”, “RTD Miscellaneous Feature Control”. The Setup Register may also be read to determine if the Watchdog is enabled, and the interrupt and base address that it is using.



Note Enabling the watchdog timer in the BIOS does not actually arm it. The watchdog timer can be armed by accessing I/O address E85h, as explained below.

Table 44 Advanced Watchdog Setup Register E8Bh

D7	D6	D5	D4	D3	D2	D1	D0
Reserved			WDT_IRQ			Reg_Enable	
			Select Interrupt for WDT			0 = Watchdog timer is disabled and Runtime Register will not appear in I/O map	
			000 = Disabled			1 = Watchdog Timer is enabled. Runtime Register will appear in I/O map	
			001 = IRQ5				
			010 = Reserved				
			011 = IRQ10				
			100 = IRQ11				
			101 = Reserved				
			110 = IRQ3				
			111 = IRQ6				

Table 45 Advanced Watchdog Runtime Register E85h

D7	D6	D5	D4	D3	D2	D1	D0
WDT_Active	WDT_IRQ_Ena	Reserved		WDT_IRQ_Time	WDT_RST_Time		
0 = Watchdog timer is disabled.	0 = Watchdog interrupt is disabled.			Select Interrupt time for WDT	Select Reset time for WDT		
1 = Watchdog is armed and can generate resets and interrupts.	1 = Watchdog interrupt is enabled.			00 = 0.25s	00 = 2.00s		
				01 = 0.50s	01 = 0.50s		
				10 = 0.75s	10 = 0.75s		
				11 = 1.00s	11 = 1.00s		

Reading the Runtime Register also refreshes the watchdog timer.

Thermal Management

The cpuModule has several thermal features which can be used to monitor and control the board's temperature when extreme operating conditions are prevalent.

Thermal Monitor

The Thermal Monitor is a feature on the CMA34CR that automatically throttles the CPU when the CPU exceeds its thermal limit. The maximum temperature of the processor is defined as the temperature that the Thermal Monitor is activated. The thermal limit and duty cycle of the Thermal Monitor cannot be modified.



Note The CPU and PCB temperatures displayed in the BIOS are approximate and should not be used to validate a cooling solution.

Hardware-Enforced Thermal Protection

The processor includes a hardware-enforced thermal protection mechanism which will cause the processor to enter a Thermal Trip state when the processor's temperature has approached the point at which may be damaged.

Upon entering the Thermal Trip state, the CMA34CR will immediately transition to the **S5** (Soft-Off) ACPI power state. To exit the Thermal Trip state (and S5), a power cycle or RSM reset (deepest reset) is required. The reset may be configured as an RSM reset (default BIOS setting) in the BIOS setup utility. For more information on the S5 power state, refer to *Advanced Configuration and Power Interface (ACPI)* — page 66.

The reset status register contains a bit which indicates if the cpuModule has entered S5 as a result of the processor entering the Thermal Trip state. For more information on the reset status register, refer to *Reset Status Register* — page 69.

Further Temperature Reduction

The cpuModule's temperature is directly related to power consumption. Reducing the power consumption of the cpuModule will have an effect on the cpuModule's temperature. Suggested methods for reducing the cpuModule's power consumption can be found in the *Power Management* section on page 66.

Power Management

The CMA34CR cpuModule supports various powering mechanisms which allow the cpuModule to monitor power consumption and temperature, and achieve minimal power consumption states. These unique features include thermal monitoring and thermal throttling, as well as low power modes including ACPI configurations. Various wake options are also available to resume normal system power.

Advanced Configuration and Power Interface (ACPI)

The cpuModule supports several different ACPI low power modes, including the S3, S4, and S5 sleeping states. These suspend modes are described below:

- **S3 (Suspend to RAM):** Everything in the system is powered off except for the system memory. When the system wakes from this mode, operating systems allow applications to resume where they left off, as the state of the application is preserved in memory.
- **S4 (Hibernate):** When the system enters this state, the operating system will save the current state of applications and relevant data to disk, thus allowing the system RAM to be powered down.
- **S5 (Soft-Off):** The system is in a soft off state, and must be rebooted when it wakes.

Power Button Modes

The soft power button input of the Utility Port 2.0 connector (**CN5**) can be configured by the operating system as a suspend button (transition to S3) or as soft power button (transition to S5). Consult your operating system documentation for information on how to configure it. The power button will always cause a transition to S5 if pressed for 4 seconds or longer, without interaction from the operating system.

The soft power button of the Utility Port 2.0 connector (**CN5**) is the only mechanism to wake the system from S4 and S5.



Note When the reset button of the Utility Port 2.0 connector is configured as a power button (via the BIOS setup utility), it inherits the ACPI suspend and resume features of the power button.

Low-Power Wake Options

The cpuModule supports several methods of waking from a low power state.

- **Resume from USB:** Operating systems that support S3 permit waking the system from the USB interfaces. Common USB wake methods include insertion of a USB device, a USB keyboard stroke, or movement from another USB device, such as mouse.
- **Resume on RTC Alarm / Timeout:** The RTC Alarm allows the system to turn on at a certain time every day.
- **Resume on WAKE#:** The system can wake when a signal is applied to the WAKE#. This signal can be sent from the PCIe/104 Type 2 connectors (**CN1 & CN2**) or either LAN connections (**CN20 & CN30**).

Table 46 Supported ACPI Resume/Wake Mechanisms

Resume/Wake Mechanism	S3	S4	S5
-----------------------	----	----	----

Table 46 Supported ACPI Resume/Wake Mechanisms

Wake from USB	Y	—	—
Wake from RTC Alarm / Timeout	Y	—	—
Wake from WAKE# (CN1 & CN2, CN20 & CN30)	Y	—	—
Power Button Input (CN5)	Y	Y	Y

AT vs. ATX Power Supplies

Both AT and ATX power supplies may be used with the CMA34CR cpuModule, however AT power supplies do not provide any standby power to the cpuModule. When an AT power supply is used to power the system, low power modes that require a standby power to wake the system will not be fully supported.

ATX power supplies do provide a standby power, thus allowing the system to utilize all low power modes supported by the hardware. When an ATX supply is used to power the cpuModule, lower power modes can be achieved. During these low power modes, the standby power from the ATX power supply provides power to a small circuit on the CPU, which is used to watch for a system wake event.

ATX Power Supply Signals

The PCIe/104 Type 2 Bus connectors (CN1 & CN2) provide two ATX style signals, +5V Standby and PSON#. The +5V Standby rail is used to power certain parts of the cpuModule when the main power supply is turned off, i.e. during Suspend-to-RAM (S3), Hibernate (S4), or Soft-Off (S5) power modes. The PSON# signal is an active low open-drain output that signals the power supply to turn on. Use of these signals allows the power consumption to drop to below 1W during standby modes, and still enable any of the wake events.

Reducing Power Consumption

In addition to the CPU's low power modes, power consumption can further be reduced by making some modifications to the BIOS setup. When the following features are disabled in the BIOS, the CPU's power consumption will decrease:

- **Ethernet**
- **USB Ports**
- **SATA Controller**
- **Serial Ports**
- **Multi-Color LED**

Multi-Color LED

The CMA34CR has a Multi-Color LED which can be enabled or disabled in the BIOS setup screen. The color of the LED indicates the status of the board, as shown in Table 47.

Table 47 LED Colors

Color	Description
Green	Normal Operation
Blue	SATA Activity
Red ¹	cpuModule is in reset ²
Yellow (Red + Green)	cpuModule is in Standby
White (R+G+B)	cpuModule is approaching thermal limit ³
Cyan (Blue + Green)	Ethernet Link at 100 Mbps or Bus Stacking Error
Magenta (Blue + Red)	Ethernet Link at 1000 Mbps
Blink	Ethernet Activity

1. If power is applied to the cpuModule while jumper **JPS** is installed, the LED will be red. This does not indicate that the board is in reset
2. Unlike previous generations of RTD cpuModules, the CMA34CR requires both +5V and +12V to be present to come out of reset. For more information, refer to: *Auxiliary Power (CN3)*— page 30
3. The LED will remain White until the system is shut down.

The LED can also be controlled manually by writing to I/O Port EA5h, as shown in Table 48 and Table 49.

Table 48 Multi-Color LED I/O Address EA5h

D7	D6	D5	D4	D3	D2	D1	D0
Reserved	Reserved	Reserved	Reserved	Reserved			Multi-Color LED

The following table lists the color displayed and the value written.

Table 49 Manual LED Colors

I/O Port Value	Color
0x00	Automatic (see Table 47)
0x08	Off (will reduce system power consumption)
0x09	Blue
0x0A	Green
0x0B	Cyan (Green + Blue)
0x0C	Red
0x0D	Magenta (Red + Blue)
0x0E	Yellow (Red + Green)
0x0F	White (Red + Green + Blue)

Reset Status Register

The cpuModule has several different signals on board which can cause a system reset. If a reset occurs, the reset status register can be used to see which reset or resets have been asserted on the cpuModule.

The user has the ability to see which resets have been asserted. Resets can also be cleared.

- **Examine Resets:** Reading from I/O port 0xED0 will indicate if a reset has been asserted. If a 1 is read, the corresponding reset has been asserted. If a 0 is read from the bit, the reset has not been asserted
- **Clear Reset:** Each reset can be cleared by writing a 1 to the selected bit of I/O port 0xED0.

The bit definitions are as follows:

- **b24** Thermal Limit Latched
- **b23** Thermal Limit
- **b22** PCIe WAKE
- **b21** Watchdog Timer Reset
- **b20** Thermal Shutdown
- **b19** SLP S4#
- **b18** SLP S3#
- **b17** Utility Power Button
- **b16** Utility Reset Button
- **b15** PLT Reset
- **b14** IMVP Power Good
- **b13** PCH Power Good
- **b12** Memory termination
- **b11** 0.85V Switched
- **b10** 1.05V PCH/PLX
- **b9** 1.05V CPU
- **b8** 1.8V
- **b7** 3.3V Switched
- **b6** EPLD Power Good
- **b5** Memory Power
- **b4** RSM Reset
- **b3** 1.05V Always
- **b2** 3.3V Always
- **b1** Main 12V Input
- **b0** Main 5V Input

Features and Settings That Can Affect Boot Time

The boot time of a system is dependent upon numerous system settings as well as devices attached to a system. This section addresses some devices and settings that can increase or decrease a system's boot time.

Boot Device Order

The BIOS contains a list of devices to try booting from. If you wish to boot to a particular device (for example, a hard drive), make sure that it is first in the boot order. This will speed up boot times.

Add-On Cards With BIOS Extensions

Some add-on cards have an integrated BIOS extension. The most common examples are SCSI controllers and network cards with boot ROMs. During POST, the BIOS executes the card's extension code. This extension code is third-party code, which is beyond RTD's control. The BIOS extension will most likely increase the boot time. Exactly how much it increases boot time will depend on the particular card and firmware version.

VGA Controller

VGA controllers have a VGA BIOS that must be initialized during POST. It can take some time to initialize the VGA BIOS. Exactly how long will depend on the particular VGA controller and BIOS version.

Hard Drive Type

During Hard Drive initialization, each device must be probed. Some devices take longer to probe. 2.5-inch hard drives tend to take longer than 3.5-inch ones, because they spin at a lower RPM.

Monitor Type

Some monitors take a while to power on. Desktop flat panels are especially slow. This does not affect the actual boot time of the CPU. However, the CPU may boot before the monitor powers on.

Network (PXE) Boot

The Ethernet controllers on the CMA34CR support Preboot Execution Environment (PXE) which permits the cpuModule to boot using a network interface. The PXE Boot ROM, which allows booting over the network, may be disabled in the BIOS to speed up boot time.

System Recovery

Reset Button Recovery

The CMA34CR provides several methods for recovering from an incorrectly configured system. In order to enter the recovery mode, follow the steps below:

1. Remove power from the system, including standby power.
2. Press and hold the reset button attached to the Utility Port 2.0 connector.
3. Apply power to the system while continuing to hold the reset button.
4. Wait the amount of time shown in Table 51 for the desired recovery mode.
5. Release the reset button, allowing the system to boot.

Table 50 Reset Button Recovery Modes

Hold Time ¹	Mode
0-4 seconds	No recovery mode. System will stay in reset while button is pressed.
4-8 seconds	Load Default BIOS Settings
8-12 seconds	Serial POST Code Output

1. To assist with timing while the reset button is pushed, the LED will blink OFF at 4 second intervals.

Load Default BIOS Settings

Loading BIOS defaults allows recovery from an incorrectly configured display device, incorrect boot options, and many other incorrect settings. It is also a good starting point when making BIOS changes. After restoring defaults, the BIOS settings should be reviewed and modified as needed.

The default BIOS can be restored either by using Reset Button Recovery, or the “Load RTD Defaults” option in the BIOS.

Serial Power-On-Self-Test (POST) Code Output

The POST Codes represent a series of events that take place in a system during the Power On Self Test. If the POST fails, the system will not boot as expected. Knowing which POST code the failure occurred may help system debug.

This recovery mode configures serial port connector **CN7** as single RS-232, and sends the POST codes on the transmit pin. The port settings are 115kbps, 8 bits, no parity, one stop bit. When using this recovery mode, the POST codes can be logged on another computer running terminal software. Contact RTD technical support for more details.



Note POST Codes over the serial port (**CN7**) may also be enabled by installing **JP5** and **JP6** prior to power cycling the *cpuModule*. For more information, see *Jumper Settings and Locations* on page 74.

Appendix A Hardware Reference

This appendix provides information on CMA34CR cpuModule hardware, including:

Jumper Settings and Locations — page 74

Physical Dimensions — page 76

Jumper Settings and Locations

Many cpuModule options are configured by positioning jumpers. Jumpers are labeled on the board as **JP** followed by a number.

Figure 7 shows the jumper locations that are used to configure the cpuModule. Table 52 lists the jumpers and their settings.

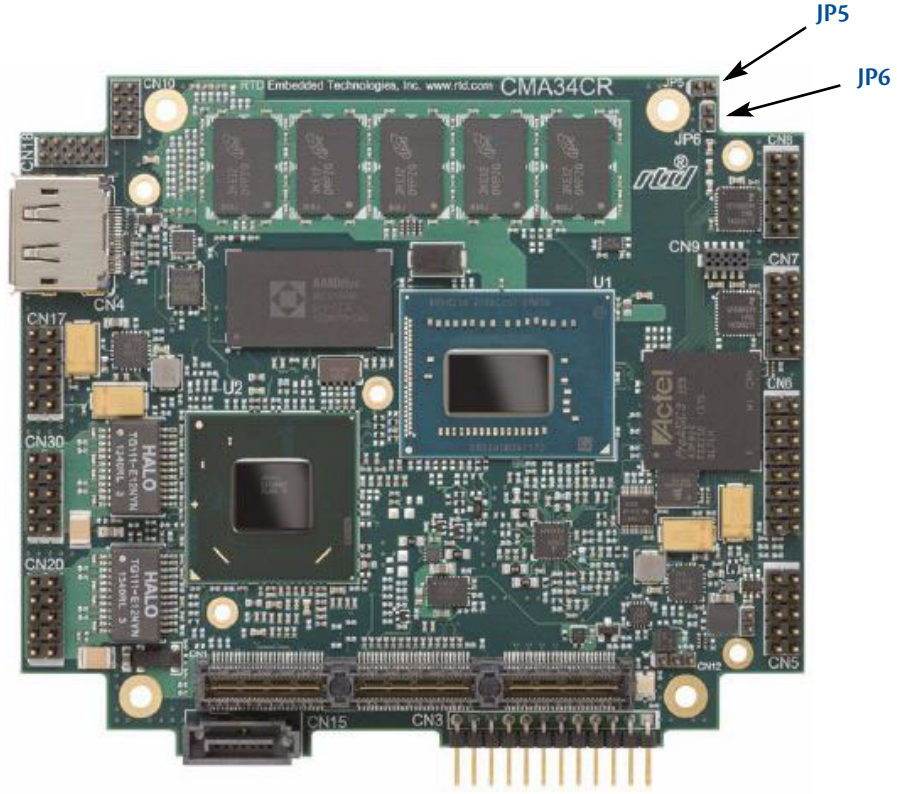


Figure 7 CMA34CR Jumper Locations (top side)

Table 52 CMA34CR Jumpers

Jumper	Pins	Function	Default
JP5	2	Used to load the default BIOS settings. Install this jumper and boot the stack to load the RTD default BIOS settings, remove the jumper once the system has booted.	open
JP6	2	Used to disable the Bus Stacking Error detection. See <i>PCIe/104 Type 2 Compatibility</i> on page 49. pins 1–2: Disable Bus Stacking Error detection open: Enable Bus Stacking Error detection (normal operation)	open
JP5 + JP6	2	Used to configure serial port connector CN7 as single RS-232, and sends the POST codes on the transmit pin. See <i>Serial Power-On-Self-Test (POST) Code Output</i> on page 71 pins 1–2 (JP5 and JP6): Enable POST Codes over Serial Port CN7 open: Normal operation	open

Appendix B Troubleshooting

Many problems you may encounter with operation of your CMA34CR cpuModule are due to common errors. This appendix includes the following sections to help you get your system operating properly.

Common Problems and Solutions — page 78

Troubleshooting a PC/104 System — page 79

How to Obtain Technical Support — page 80

Common Problems and Solutions

Table 53 lists some of the common problems you may encounter while using your CMA34CR cpuModule, and suggests possible solutions.

If you are having problems with your cpuModule, review this table before contacting RTD Technical Support.

Table 53 Troubleshooting

Problem	Additional Symptoms	Possible Cause(s)
cpuModule does not boot (no video output)	LED is red (in reset)	Input power is inadequate. Refer to Chapter 1, <i>Electrical Characteristics</i> . Verify input voltages are correct. If power is supplied via CN3 , check for cabling issues. Malfunctioning peripheral card. Remove all peripheral cards from the system.
	LED is yellow (in standby)	cpuModule is in "Soft Off" due to operating system shutdown. Press power button to wake. ATX power supply is not turning on. Check jumpers on power supply. Verify PSON# signal.
	LED is cyan (bus stacking error)	See Chapter 3, <i>PCIe/104 Type 2 Compatibility</i>
	LED is green (normal operation)	cpuModule may be booted, but video is not connected properly. Attach a keyboard and verify the operation of the Num Lock and Caps Lock LEDs. If they respond as expected, the cpuModule is booted. Check the video cable connections. Video output may have been disabled in the BIOS. Try loading BIOS defaults per Chapter 4, <i>System Recovery</i> . If a PCI device is installed, the slot selection switch/jumpers may not be set correctly. Peripheral card may be interfering with boot sequence. Remove all peripheral cards from the system.
cpuModule reboots unexpectedly	cpuModule is running Windows	By default, Windows will automatically reboot when a Bugcheck (Blue Screen) is triggered. Disable this feature in the Control Panel. This will allow you to see the error and identify the root cause.
	cpuModule is powered via Auxiliary Power Connector (CN3)	Power cabling issues. Verify all pins on CN3 are reliably connected with proper gauge wires. Power supply noise or current limiting. Check power pins with an oscilloscope and verify they remain in range. Power supply may not respond quickly enough to changes in power consumption. Switch to a different power supply (a PCI Express power supply is recommended)
	Peripheral card(s) installed	Peripheral card(s) may be overloading the power supply. Reduce the system to just the cpuModule and power supply and see if the problem re-appears. (Note that CN3 is intended for powering the cpuModule only.)
cpuModule does not boot to USB device	USB device has a high power draw (e.g. DVD or hard drive)	Some USB devices are not fully compliant and draw too much current. Consider switching to a self-powered USB device with its own AC/DC power supply.
Date/time not saved when system is off	No RTC battery	A battery must be attached to the Utility Port 2.0 connector (CN5) to maintain date/time when main power is removed. For a list of alternate battery inputs, refer to <i>Real Time Clock Control</i> — page 62.
System performance lower than expected	LED is white	cpuModule is overheating and the processor is throttling. Increase the cooling (more airflow, larger heatsink, etc.).

Troubleshooting a PC/104 System

If you have reviewed the preceding table and still cannot isolate the problem with your CMA34CR cpuModule, please try the following troubleshooting steps. Even if the resulting information does not help you find the problem, it will be very helpful if you need to contact technical support.

1. **Simplify the system.** Remove items one at a time and see if one particular item seems to cause the problem.
2. **Swap components.** Try replacing items in the system one-at-a-time with similar items.

How to Obtain Technical Support

If after following the above steps, you still cannot resolve a problem with your CMA34CR cpuModule, please gather the following information:

- cpuModule model, BIOS version, and serial number
- List of all boards in system
- List of settings from cpuModule Setup program
- Printout of autoexec.bat and config.sys files (if applicable)
- Description of problem
- Circumstances under which problem occurs

Then contact RTD Technical Support:

Phone: 814-234-8087

Fax: 814-234-5218

E-mail: techsupport@rtd.com

Appendix C IDAN™ Dimensions and Pinout

Like all other RTD PC/PCI-104 and PCIe/104 modules, cpuModules can be packaged in Intelligent Data Acquisition Node (IDAN) frames, which are milled aluminum frames with integrated heat sinks and heat pipes for fanless operation. RTD modules installed in IDAN frames are called building blocks. IDAN building blocks maintain the simple but rugged stacking concept of PC/PCI-104 and PCIe/104. Each RTD module is mounted in its own IDAN frame and all I/O connections are brought to the walls of each frame using standard PC connectors.

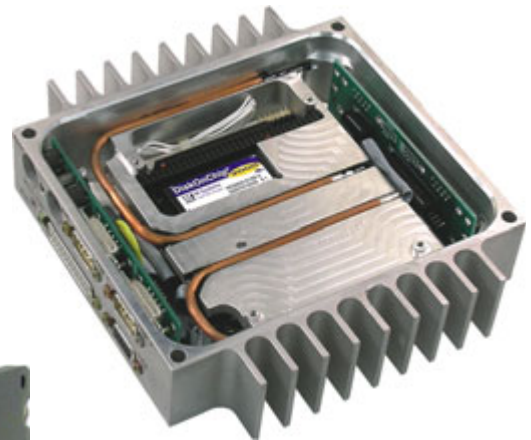
On the CMA34CR, no connections are made from module to module internal to the system other than through the PCIe/104 Type 2 bus, enabling quick interchangeability and system expansion without hours of rewiring and board redesign.

The CMA34CR cpuModule can also be purchased as part of a custom-built RTD HiDAN™ or HiDANplus™ High Reliability Intelligent Data Acquisition Node. This appendix provides the dimensions and pinouts of the CMA34CR installed in an IDAN frame. Contact RTD for more information on high reliability IDAN, HiDAN, and HiDANplus PC/PCI-104 systems.



IDAN—Adhering to the PC/PCI-104 and PCIe/104 stacking concept, IDAN allows you to build a customized system with any combination of RTD modules.

IDAN Heat Pipes—Advanced heat pipe technology maximizes heat transfer to heat sink fins.



HiDANplus—Integrating the modularity of IDAN with the ruggedization of HiDAN, HiDANplus enables connectors on all system frames, with signals running between frames through a dedicated stack-through raceway.

IDAN Dimensions and Connectors

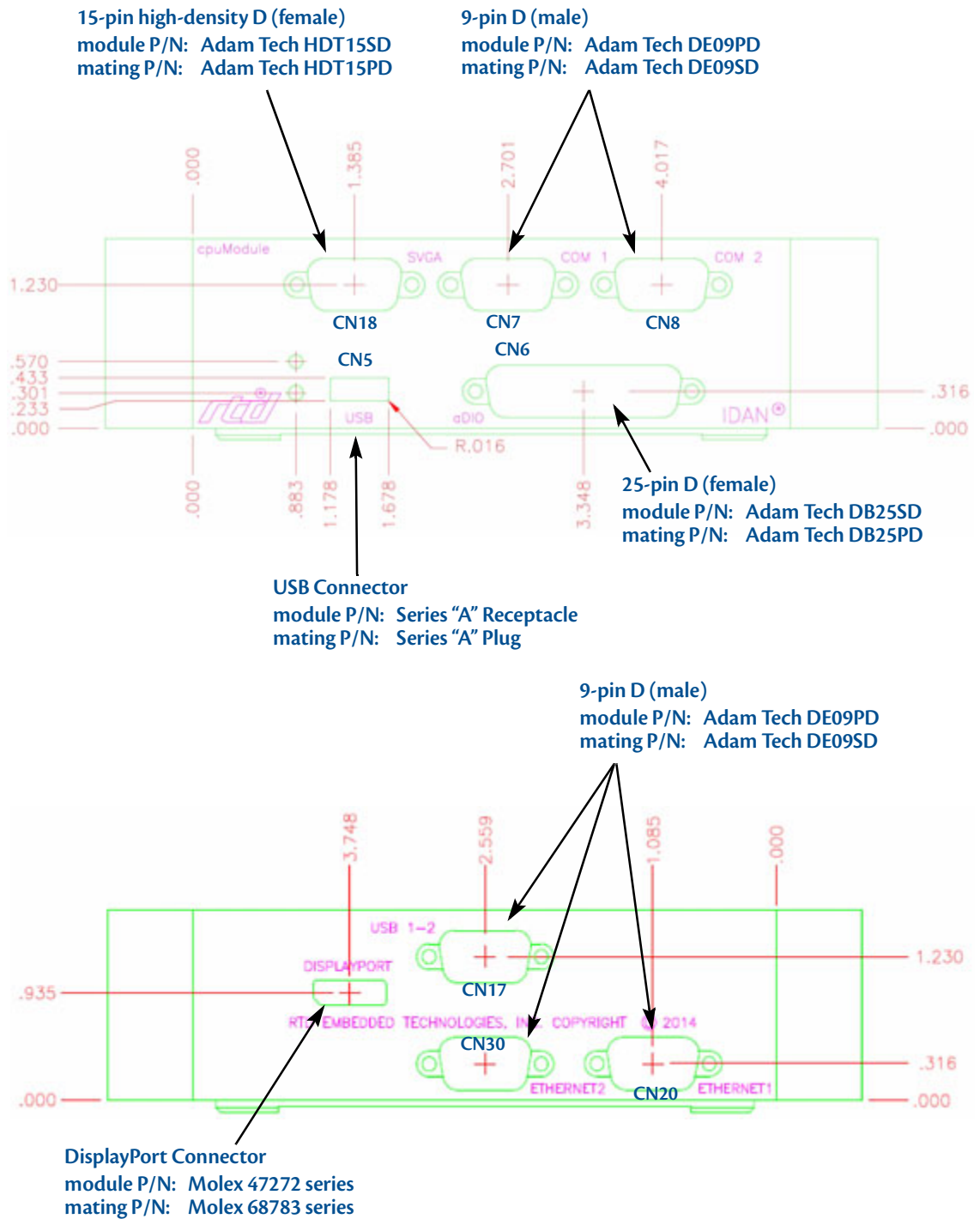


Figure 9 IDAN-CMA34CR Connectors¹

1. Use 40mm for this frame when calculating bolt lengths.

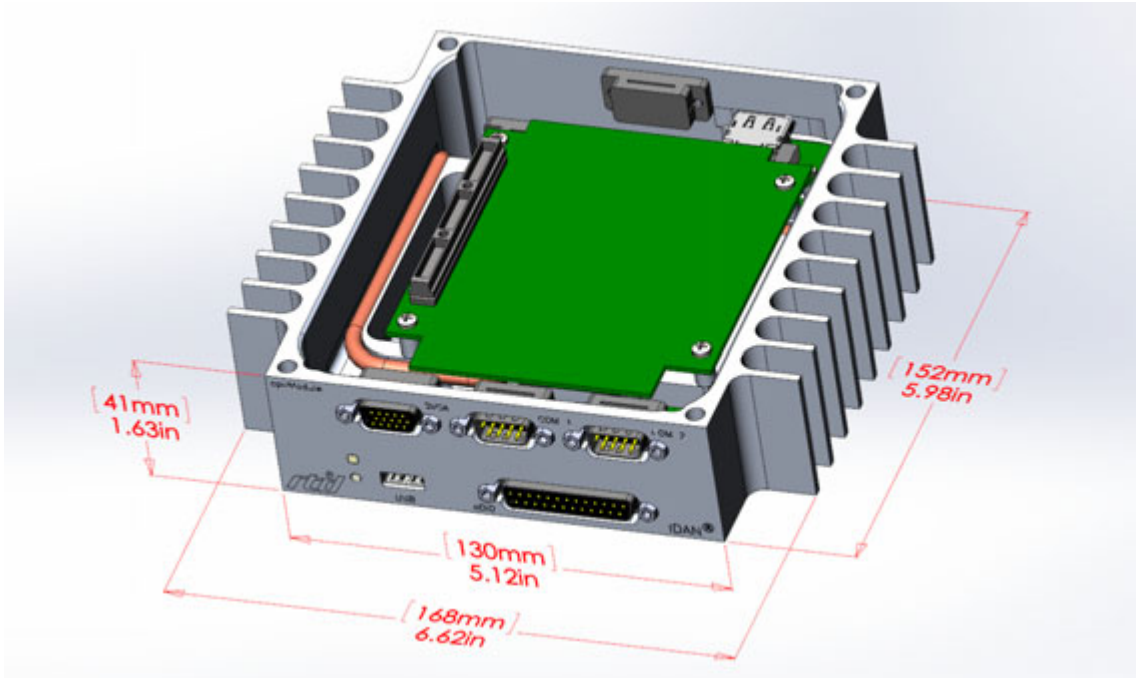


Figure 10 IDAN-CMA34CR Frame Dimensions

Weight of the IDAN-CMA34CR with no drive installed is 1.96 lbs. (0.889 kg)

IDAN Contents

The IDAN-CMA34CR contains both a CMA34CR cpuModule and a SATA34106 carrier for a 2.5" SATA drive. Also inside the IDAN-CMA34CR unit is a CMOS battery which is connected to the battery input connection of the cpuModule's Utility Port 2.0 connector. The frame of the IDAN-CMA34CR brings out the cpuModule's multi-color LED as well as the cpuModule's reset button. (The cpuModule's power button is not accessible from the exterior of the frame, but the reset button is configurable as a power button through the BIOS.) Most IDAN frames bring out a D-Sub connector to connect to the outside. There is the option to bring out the USB connections through a Standard USB connector in place of the D-Sub connectors.

For more information on cpuModule's battery input and reset button input on the Utility Port 2.0 connector, refer to the *Utility Port 2.0 Connector (CN5)* on page 31.

External I/O Connections

Table 54 COM1/COM2 (Single Port Mode)— 9-Pin D Connector (male)

CPU Pin	IDAN Pin (DB-9)	Single RS-232	Single RS-422	Single RS-485
1	1	DCD	TXD-	D-
2	6	DSR	—	—
3	2	RXD	TXD+	D+
4	7	RTS	—	—
5	3	TXD	RXD+	—
6	8	CTS	—	—
7	4	DTR	RXD-	—
8	9	RI	—	—
9	5	GND	GND	GND
10	-	GND	GND	GND

Table 55 COM1/COM2 (Dual Port Mode)— 9-Pin D Connector (male)

CPU Pin	IDAN Pin (DB-9)	Dual RS-232	Dual RS-422	Dual RS-485
1	1	—	TXD1-	D1-
3	2	RXD1	TXD1+	D1+
5	3	TXD1	RXD1+	—
7	4	—	RXD1-	—
9	5	GND	GND	GND
2	6	—	TXD2-	D2-
4	7	TXD2	TXD2+	D2+
6	8	RXD2	RXD2+	—
8	9	—	RXD2-	—

Table 56 aDIO — 25-Pin D Connector (female)

IDAN Pin #	aDIO Port	CPU Pin #
1	P0-0	1
2	P0-2	3
3	P0-4	5
4	P0-6	7
5	Strobe 0	9
6	P1-0	11
7	P1-2	13
8	GND	15
9	reserved	-
10	reserved	-
11	reserved	-
12	Power Button	-
13	GND	-
14	P0-1	2
15	P0-3	4
16	P0-5	6
17	P0-7	8
18	Strobe 1	10
19	P1-1	12
20	P1-3	14
21	+5 V	16
22	reserved	-
23	reserved	-
24	Reset Button	-
25	RTC Battery Input	-

Table 57 SVGA — 15-Pin High Density D Connector (female)

IDAN Pin #	Signal	Function	CPU Pin #
1	Red	Red Analog Output	4
2	Green	Green Analog Output	6
3	Blue	Blue Analog Output	8
4	Reserved	Reserved	—
5	GND	Ground	9
6	GND	Ground	9
7	GND	Ground	9
8	GND	Ground	10
9	+5 V	+ 5 Volts	7
10	GND	Ground	10
11	Reserved	Reserved	—
12	DDC Data	Monitor data	5
13	HSYNC	Horizontal Sync	2
14	VSYNC	Vertical Sync	1
15	DDC CLK	Monitor Clock	3

Table 58 DisplayPort Connector

Pin	Signal	Standard Function	Dual-mode (DP++) Function (DVI / HDMI mode) ¹	In/Out
1	LN0+	Main Link, Lane 0 (positive)	TMDS Channel 2 (positive)	out
2	GND	Ground	Ground	out
3	LN0-	Main Link, Lane 0 (negative)	TMDS Channel 2 (negative)	out
4	LN1+	Main Link, Lane 1 (positive)	TMDS Channel 1 (positive)	out
5	GND	Ground	Ground	out
6	LN1-	Main Link, Lane 1 (negative)	TMDS Channel 1 (negative)	out
7	LN2+	Main Link, Lane 2 (positive)	TMDS Channel 0 (positive)	out
8	GND	Ground	Ground	out
9	LN2-	Main Link, Lane 2 (negative)	TMDS Channel 0 (negative)	out
10	LN3+	Main Link, Lane 3 (positive)	TMDS Clock (positive)	out
11	GND	Ground	Ground	out
12	LN3-	Main Link, Lane 3 (negative)	TMDS Clock (negative)	out
13	CFG1	Configuration Pin 1	Cable Adapter Detect	out
14	CFG2	Configuration Pin 2	Consumer Electronics Control ²	out
15	AUX+	Auxiliary Channel (positive)	DDC Clock	in/out
16	GND	Ground	Ground	out
17	AUX-	Auxiliary Channel (negative)	DDC Data	in/out
18	HPD	Hot Plug Detect	Hot Plug Detect	in
19	DPG	Return for DPV	Return for DPV	out
20	DPV	+3.3V DC Power	+3.3V DC Power	out

1.Requires special passive adapter

2.HDMI mode only

Facing DisplayPort connector, the pinout is:

19	17	15	13	11	9	7	5	3	1
DPG	AUX-	AUX+	CFG1	GND	LN2-	LN2+	GND	LN0-	LN0+
DPV	HPD	GND	CFG2	LN3-	LN3+	GND	LN1-	LN1+	GND
20	18	16	14	12	10	8	6	4	2

Table 59 USB — 9-Pin D Connector (male)

IDAN Pin #	Signal	Function	Mode
1	VCC1	+5 V to USB1	output
2	Data USB1-	USB1 Data-	input/output
3	Data USB1+	USB1 Data+	input/output
4	GND	Ground	—
5	GND	Ground	—
6	VCC2	+5 V to USB2	output
7	Data USB2-	USB2 Data-	input/output
8	Data USB2+	USB2 Data+	input/output
9	GND	Ground	—

Table 60 Ethernet — 9-Pin D Connector (Male)

IDAN Pin #	RJ-45 Pin	Signal	CPU Pin #
1	3	B+ (RX+)	1
2	4	C+	3
3	1	A+ (TX+)	5
4	7	D+	7
5	—	Ground	9
6	6	B- (RX-)	2
7	5	C-	4
8	2	A- (TX-)	6
9	8	D-	8

Appendix D Additional Information

Application Notes

RTD offers many application notes that provide assistance with the unique feature set of the CMA34CR cpuModule. For the latest application notes, refer to the RTD website.

Drivers and Example Programs

To obtain the latest versions of drivers and example programs for this cpuModule, refer to the RTD website.

Interrupt Programming

For more information about interrupts and writing interrupt service routines, refer to the following book:

Interrupt-Driven PC System Design
by Joseph McGivern
ISBN: 0929392507

Serial Port Programming

For more information about programming serial port UARTs, consult the following book:

Serial Communications Developer's Guide
by Mark Nielson
ISBN: 0764545701

PC/104 Specifications

A copy of the latest PC/104 specifications can be found on the webpage for the PC/104 Embedded Consortium:

<http://www.pc104.org>

Appendix E Limited Warranty

RTD Embedded Technologies, Inc. warrants the hardware and software products it manufactures and produces to be free from defects in materials and workmanship for one year following the date of shipment from RTD Embedded Technologies, Inc. This warranty is limited to the original purchaser of product and is not transferable.

During the one year warranty period, RTD Embedded Technologies will repair or replace, at its option, any defective products or parts at no additional charge, provided that the product is returned, shipping prepaid, to RTD Embedded Technologies. All replaced parts and products become the property of RTD Embedded Technologies. Before returning any product for repair, customers are required to contact the factory for a Return Material Authorization number.

This limited warranty does not extend to any products which have been damaged as a result of accident, misuse, abuse (such as: use of incorrect input voltages, improper or insufficient ventilation, failure to follow the operating instructions that are provided by RTD Embedded Technologies, "acts of god" or other contingencies beyond the control of RTD Embedded Technologies), or as a result of service or modification by anyone other than RTD Embedded Technologies. Except as expressly set forth above, no other warranties are expressed or implied, including, but not limited to, any implied warranties of merchantability and fitness for a particular purpose, and RTD Embedded Technologies expressly disclaims all warranties not stated herein. All implied warranties, including implied warranties for merchantability and fitness for a particular purpose, are limited to the duration of this warranty. In the event the product is not free from defects as warranted above, the purchaser's sole remedy shall be repair or replacement as provided above. Under no circumstances will RTD Embedded Technologies be liable to the purchaser or any user for any damages, including any incidental or consequential damages, expenses, lost profits, lost savings, or other damages arising out of the use or inability to use the product.

Some states do not allow the exclusion or limitation of incidental or consequential damages for consumer products, and some states do not allow limitations on how long an implied warranty lasts, so the above limitations or exclusions may not apply to you.

This warranty gives you specific legal rights, and you may also have other rights which vary from state to state.

RTD Embedded Technologies, Inc.
103 Innovation Blvd.
State College PA 16803-0906
USA
Website: www.rtd.com

