



# COLOR-CODED TONGS

The Color-Coded Foodservice System enables users to protect their patrons from foodborne illnesses and allergens. Color-coded tongs help keep food separated and reduce the risk of cross-contamination during food preparation or while serving.

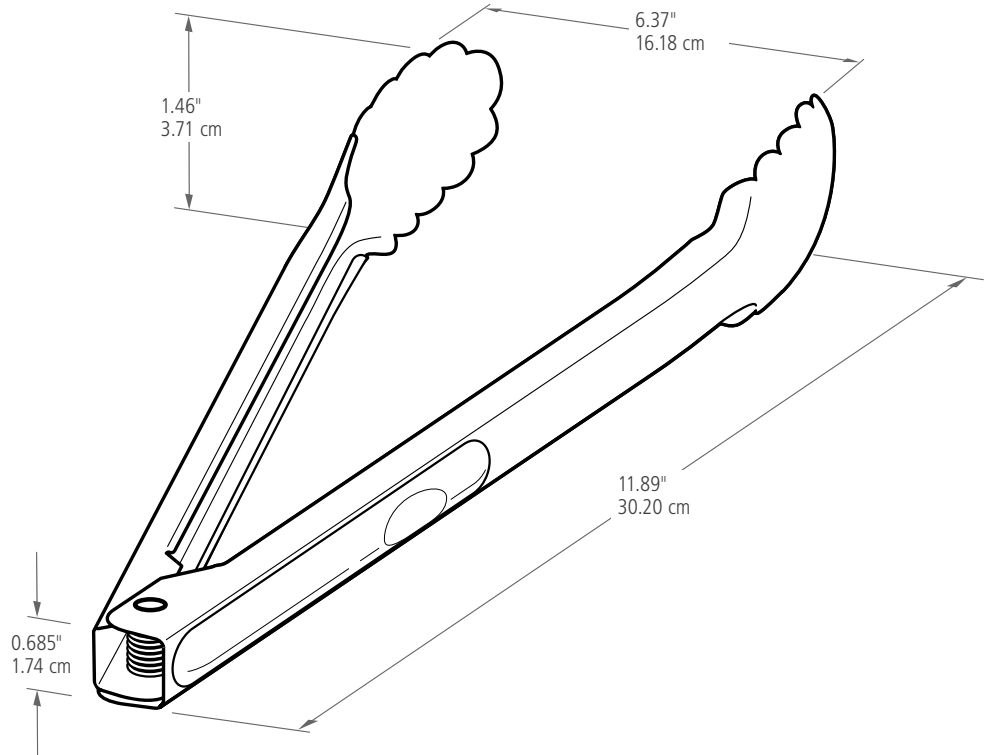
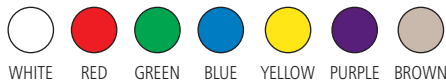
## Features and Benefits:

- Part of a complete color-coded foodservice system
- 22-gauge stainless steel
- Rubber grip on handles enables better control
- Scalloped-edge design for easy gripping of food
- Commercial dishwasher-safe

## Material Composition:

Stainless Steel

### COLORS AVAILABLE:



SKU #	DESCRIPTION	COLOR	LENGTH		WIDTH		HEIGHT		WEIGHT		PACK SIZE
			IN	CM	IN	CM	IN	CM	LB	KG	
1980422	COLOR-CODED TONGS, 12"	WHITE	12.00	30.20	6.37	16.18	1.46	3.71	0.13	0.06	6
1980423	COLOR-CODED TONGS, 12"	RED	12.00	30.20	6.37	16.18	1.46	3.71	0.13	0.06	6
1980424	COLOR-CODED TONGS, 12"	GREEN	12.00	30.20	6.37	16.18	1.46	3.71	0.13	0.06	6
1980425	COLOR-CODED TONGS, 12"	BLUE	12.00	30.20	6.37	16.18	1.46	3.71	0.13	0.06	6
1980426	COLOR-CODED TONGS, 12"	YELLOW	12.00	30.20	6.37	16.18	1.46	3.71	0.13	0.06	6
1980427	COLOR-CODED TONGS, 12"	PURPLE	12.00	30.20	6.37	16.18	1.46	3.71	0.13	0.06	6
1980428	COLOR-CODED TONGS, 12"	BROWN	12.00	30.20	6.37	16.18	1.46	3.71	0.13	0.06	6

