



1225 Isley Road, Gastonia, NC 28052  
Phone: [800-634-7704](tel:800-634-7704) Fax: 800-253-6634  
[www.rwmcasters.com](http://www.rwmcasters.com)

# 45 Series Casters

Medium Duty Casters



The RWM 45 Series Caster is an economical version of our 46 Series industrial caster. These medium duty casters are ideal for bakery, meat processing and many other industries for a wide range of uses including dollies, shop carts, scrap bins and floor trucks.

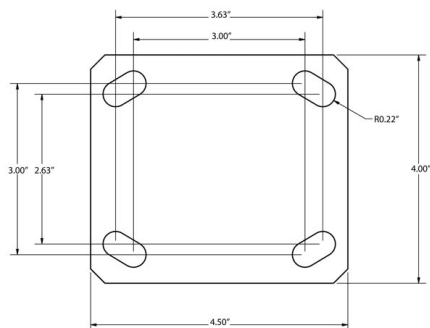


45-DUR-0520-S



45-SWB-0620-R

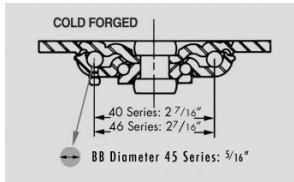
## Top Plates



Standard Top Plate

## Swivel Sections and Cross Sections

Swivel Cross Section



## Features

**Swivel Section:** Double ball raceways secured with a nut & bolt kingpin.

**Kingpin:** 5/8" diameter nut and bolt

**Capacity:** 1200 lbs.

**Axle:** 1/2" diameter drilled axle with lubrication fitting

**Finish:** Zinc plated to protect against corrosion

**Wheels:** A wide variety of 4" through 8" diameters available with straight roller, ball & celcon bearings.

**Mounting Plate Size:** 4" x 4-1/2" x 1/4"

**Bolt Hole Spacing:** 2-5/8" x 3-5/8" slotted to 3" x 3"

**Mounting Bolt Diameter:** 3/8"

## Applications

The 45 Series Medium Duty Casters are ideal for:

- Bakery Carts
- Meat Processing
- Assembly Line & Boat Molding Dollies
- Box Trucks
- Conveyor Stands and Fixture Carts
- Maintenance & Material Handling Carts
- Mobile Storage Racks & Mobile Tool Chests
- Shipping/Receiving Carts
- Tire Racks
- Housekeeping Carts
- Institutional Equipment
- Janitorial Equipment
- Laboratory Equipment
- Electronic Equipment
- Textile Carts

## Options

**TG:** Thread Guard

**WB:** Steel Side Brake (Roller Bearing Only)

**ICWB:** Installable Face Contact Brake

**STB:** Side Tread Brake

**DSL:** Demountable Swivel Lock

**FOSL:** Foot Operated Swivel Lock

**MICWB:** Metal Installable Cam Wheel Brake

## Specifications

Wheel Diameter	Wheel Width	Wheel Type	lbs. Capacity	Overall Height	Caged, Straight Roller Bearing	Flanged, Sealed Precision, 1pc. Ball Bearing	Plain, Oilite, Celcon Bearing	Swivel Lead	Approx Weight
4"	2"	Durastan	800	5-5/8"	45- <b>DUR</b> -0420-S	45- <b>DUB</b> -0420-S	45- <b>DUC</b> -0420-S	1-3/8"	5.2
4"	2"	Cast Iron	800	5-5/8"	45- <b>CIR</b> -0420-S	45- <b>CIB</b> -0420-S	45- <b>CIC</b> -0420-S	1-3/8"	6.5
4"	2"	GT	1050	5-5/8"		45- <b>GTB</b> -0420-S		1-3/8"	5.2
4"	2"	High Temp Nylon	800	5-5/8"	45- <b>HNR</b> -0420-S			1-3/8"	5.2

4"	2"	Performance TPR	350	5-5/8"	45- <b>RPR</b> -0420-S	45- <b>RPB</b> -0420-S	45- <b>RPC</b> -0420-S	1-3/8"	5.3
4"	2"	Polyolefin	500	5-5/8"	45- <b>POR</b> -0420-S	45- <b>POB</b> -0420-S	45- <b>POC</b> -0420-S	1-3/8"	4.8
4"	2"	Rubber on Aluminum	700	5-5/8"		45- <b>RAB</b> -0420-S-EHT		1-3/8"	7.4
4"	2"	Rubber on Iron	350	5-5/8"	45- <b>RIR</b> -0420-S		45- <b>RIC</b> -0420-S	1-3/8"	7.5
4"	2"	Signature Wheel	400	5-5/8"	45- <b>SWR</b> -0420-S	45- <b>SWB</b> -0420-S	45- <b>SWC</b> -0420-S	1-3/8"	5.5
4"	2"	Urethane on Aluminum	700	5-5/8"	45- <b>UAR</b> -0420-S		45- <b>UAC</b> -0420-S	1-3/8"	5.0
4"	2"	Solid Urethane	700	5-5/8"		45- <b>MUB</b> -0420-S		1-3/8"	5.5
4"	2"	Urethane on Iron	700	5-5/8"	45- <b>UIR</b> -0420-S		45- <b>UIC</b> -0420-S	1-3/8"	6.6
4"	2"	Urethane Polypropylene	600	5-5/8"	45- <b>UPR</b> -0420-S	45- <b>UPB</b> -0420-S	45- <b>UPC</b> -0420-S	1-3/8"	5.3
4"	2"	V-Groove Iron	800	5-5/8"	45- <b>VIR</b> -0420-S		45- <b>VIC</b> -0420-S	1-3/8"	7.6
4"	2"	Pinnacle Wheel	800	5-5/8"	45- <b>PNR</b> -0420-S	45- <b>PNB</b> -0420-S	45- <b>PNC</b> -0420-S	1-3/8"	5.2
5"	2"	Durastan	1000	6-1/2"	45- <b>DUR</b> -0520-S	45- <b>DUB</b> -0520-S	45- <b>DUC</b> -0520-S	1-5/8"	5.4
5"	2"	Cast Iron	1000	6-1/2"	45- <b>CIR</b> -0520-S	45- <b>CIB</b> -0520-S	45- <b>CIC</b> -0520-S	1-5/8"	7.8
5"	2"	GT	1200	6-1/2"		45- <b>GTB</b> -0520-S		1-5/8"	5.4
5"	2"	Forged Steel	1200	6-1/2"	45- <b>FSR</b> -0520-S		45- <b>FSC</b> -0520-S	1-5/8"	8.1
5"	2"	High Temp Nylon	1000	6-1/2"	45- <b>HNR</b> -0520-S			1-5/8"	5.4
5"	2"	Performance TPR	375	6-1/2"	45- <b>RPR</b> -0520-S	45- <b>RPB</b> -0520-S	45- <b>RPC</b> -0520-S	1-5/8"	5.3
5"	2"	Polyolefin	650	6-1/2"	45- <b>POR</b> -0520-S	45- <b>POB</b> -0520-S	45- <b>POC</b> -0520-S	1-5/8"	4.6
5"	2"	Rubber on Aluminum	800	6-1/2"		45- <b>RAB</b> -0520-S-EHT		1-5/8"	7.5
5"	2"	Rubber on Iron	400	6-1/2"	45- <b>RIR</b> -0520-S		45- <b>RIC</b> -0520-S	1-5/8"	7.6
5"	2"	Signature Wheel	500	6-1/2"	45- <b>SWR</b> -0520-S	45- <b>SWB</b> -0520-S	45- <b>SWC</b> -0520-S	1-5/8"	5.7
5"	2"	Solid Urethane	1000	6-1/2"		45- <b>MUB</b> -0520-S		1-5/8"	5.7
5"	2"	Urethane on Aluminum	1050	6-1/2"	45- <b>UAR</b> -0520-S		45- <b>UAC</b> -0520-S	1-5/8"	7.7
5"	2"	Urethane on Iron	1050	6-1/2"	45- <b>UIR</b> -0520-S		45- <b>UIC</b> -0520-S	1-5/8"	7.7
5"	2"	Urethane Polypropylene	750	6-1/2"	45- <b>UPR</b> -0520-S	45- <b>UPB</b> -0520-S	45- <b>UPC</b> -0520-S	1-5/8"	5.3
5"	2"	V-Groove Iron	800	6-1/2"	45- <b>VIR</b> -0520-S		45- <b>VIC</b> -0520-S	1-5/8"	9.9
5"	2"	Pinnacle Wheel	1000	6-1/2"	45- <b>PNR</b> -0520-S	45- <b>PNB</b> -0520-S	45- <b>PNC</b> -0520-S	1-5/8"	5.6
6"	2"	Durastan	1200	7-1/2"	45- <b>DUR</b> -0620-S	45- <b>DUB</b> -0620-S	45- <b>DUC</b> -0620-S	1-13/16"	6.3
6"	2"	Cast Iron	1200	7-1/2"	45- <b>CIR</b> -0620-S	45- <b>CIB</b> -0620-S	45- <b>CIC</b> -0620-S	1-13/16"	9.1
6"	2"	GT	1200	7-1/2"		45- <b>GTB</b> -0620-S		1-13/16"	6.3
6"	2"	Forged Steel	1200	7-1/2"	45- <b>FSR</b> -0620-S		45- <b>FSC</b> -0620-S	1-13/16"	10
6"	2"	High Temp Nylon	1200	7-1/2"	45- <b>HNR</b> -0620-S			1-13/16"	6.3
6"	2"	Omega	1000	7-1/2"	45- <b>UOR</b> -0620-S	45- <b>UOB</b> -0620-S		1-13/16"	8.8
6"	2"	Performance TPR	525	7-1/2"	45- <b>RPR</b> -0620-S	45- <b>RPB</b> -0620-S	45- <b>RPC</b> -0620-S	1-13/16"	5.7
6"	2"	Polyolefin	700	7-1/2"	45- <b>POR</b> -0620-S	45- <b>POB</b> -0620-S	45- <b>POC</b> -0620-S	1-13/16"	5.0
6"	2"	Rubber on Aluminum	820	7-1/2"		45- <b>RAB</b> -0620-S-EHT		1-13/16"	7.8
6"	2"	Rubber on Iron	410	7-1/2"	45- <b>RIR</b> -0620-S		45- <b>RIC</b> -0620-S	1-13/16"	7.8
6"	2"	Signature Wheel	600	7-1/2"	45- <b>SWR</b> -0620-S	45- <b>SWB</b> -0620-S	45- <b>SWC</b> -0620-S	1-13/16"	6.4
6"	2"	Solid Urethane	1200	7-1/2"		45- <b>MUB</b> -0620-S		1-13/16"	6.4
6"	2"	Urethane on Aluminum	1200	7-1/2"	45- <b>UAR</b> -0620-S		45- <b>UAC</b> -0620-S	1-13/16"	6.1
6"	2"	Urethane on Iron	1200	7-1/2"	45- <b>UIR</b> -0620-S		45- <b>UIC</b> -0620-S	1-13/16"	8.8
6"	2"	Urethane Polypropylene	900	7-1/2"	45- <b>UPR</b> -0620-S	45- <b>UPB</b> -0620-S	45- <b>UPC</b> -0620-S	1-13/16"	5.7
6"	2"	V-Groove Iron	1000	7-1/2"	45- <b>VIR</b> -0620-S		45- <b>VIC</b> -0620-S	1-13/16"	10.9
6"	2"	Pinnacle Wheel	1200	7-1/2"	45- <b>PNR</b> -0620-S	45- <b>PNB</b> -0620-S	45- <b>PNC</b> -0620-S	1-13/16"	6.2
6"	2"	Torus	1200	7-1/2"		45- <b>UAB</b> -0621-S		1-13/16"	6.1
8"	2"	Durastan	1200	9-1/2"	45- <b>DUR</b> -0820-S	45- <b>DUB</b> -0820-S	45- <b>DUC</b> -0820-S	2-3/16"	7.7
8"	2"	Cast Iron	1200	9-1/2"	45- <b>CIR</b> -0820-S	45- <b>CIB</b> -0820-S	45- <b>CIC</b> -0820-S	2-3/16"	13.3
8"	2"	GT	1200	9-1/2"		45- <b>GTB</b> -0820-S		2-3/16"	7.7
8"	2"	Omega	1200	9-1/2"	45- <b>UOR</b> -0820-S	45- <b>UOB</b> -0820-S		2-3/16"	12.1
8"	2"	Performance TPR	600	9-1/2"	45- <b>RPR</b> -0820-S	45- <b>RPB</b> -0820-S	45- <b>RPC</b> -0820-S	2-3/16"	7.1
8"	2"	Polyolefin	800	9-1/2"	45- <b>POR</b> -0820-S	45- <b>POB</b> -0820-S	45- <b>POC</b> -0820-S	2-3/16"	5.8
8"	2"	Rubber on Aluminum	1000	9-1/2"		45- <b>RAB</b> -0820-S-EHT		2-3/16"	10.1
8"	2"	Rubber on Iron	500	9-1/2"	45- <b>RIR</b> -0820-S		45- <b>RIC</b> -0820-S	2-3/16"	10.1
8"	2"	Urethane on Aluminum	1200	9-1/2"	45- <b>UAR</b> -0820-S		45- <b>UAC</b> -0820-S	2-3/16"	7.3
8"	2"	Signature Wheel	700	9-1/2"	45- <b>SWR</b> -0820-S	45- <b>SWB</b> -0820-S	45- <b>SWC</b> -0820-S	2-3/16"	7.1

8"	2"	Solid Urethane	1200	9-1/2"		45- <b>MUB</b> -0820-S		2-3/16"	7.1
8"	2"	Urethane on Iron	1200	9-1/2"	45- <b>UIR</b> -0820-S		45- <b>UIC</b> -0820-S	2-3/16"	12.1
8"	2"	Urethane Polypropylene	1000	9-1/2"	45- <b>UPR</b> -0820-S	45- <b>UPB</b> -0820-S	45- <b>UPC</b> -0820-S	2-3/16"	7.7
8"	2"	V-Groove Iron	1050	9-1/2"	45- <b>VIR</b> -0820-S		45- <b>VIC</b> -0820-S	2-3/16"	15.3
8"	2"	Pinnacle Wheel	1200	9-1/2"	45- <b>PNR</b> -0820-S	45- <b>PNB</b> -0820-S	45- <b>PNC</b> -0820-S	2-3/16"	6.9
8"	2"	Torus	1200	9-1/2"		45- <b>UAB</b> -0821-S		2-3/16"	7.3

To order a rigid caster, change the "S" to "R" in the model number. For example: "45-DUR-0420-R". To order a rig only, omit the blue letters. For example: "45-0420-S". Dimensions shown are nominal. If precise dimensions are required, consult your RWM representative. For approximate weight of our rigid casters, deduct 0.9 pounds per item.