

Cast Iron Flanged Wheels

RWM industrial flanged track wheels cast with 30,000 psi tensile strength iron offer instant and fluent production flow. These wheels are designed to handle a wide range of temperature variance under high stress situations. Primarily used when controlling flow, rollability and floor maintenance are big concerns. This wheel is offered in dual or single flanged versions.

Features

Wheel Bearing: Choice of roller, tapered or plain

Temperature Range: -40° to +800°F

Finish: Painted

Bores: Special sizes available upon request

Keyways: Can be installed on most sizes

SINGLE FLANGE: "S" after bearing #

HUB LENGTH: includes spanner & roller bearings installed

Options

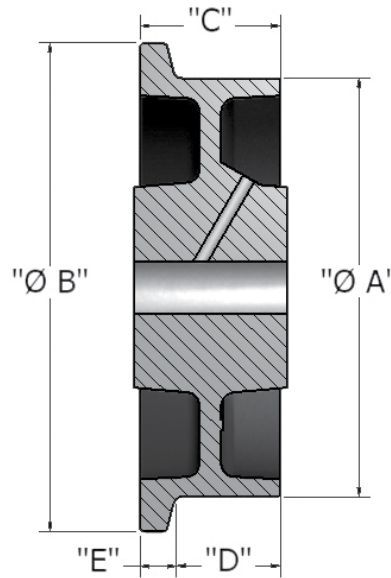
TG Thread Guard

WS Wheel Seals

CONTACT RWM FOR MORE OPTIONS.



FIP-0620-08-S



Cast Iron Flanged Wheels

SINGLE FLANGE SPECIFICATIONS

Wheel Diameter A	Flanged Diameter B	Wheel Width C	Tread Face D	Flange E	Capacity lbs.	Axle Diameter	Straight Roller Bearing	Tapered Roller Bearing	Plain Bearing	Hub Length	Approx Weight lbs.
4"	5"	2"	1-1/2"	1/2"	1000	1/2"	FIR-0420-08-S	FIT-0420-08-S	FIP-0420-08-S	2-7/16"	8
						5/8"	FIR-0420-10-S	FIT-0420-10-S	FIP-0420-10-S		
						3/4"	FIR-0420-12-S	FIT-0420-12-S	FIP-0420-12-S		
						1"	FIR-0420-16-S	FIT-0420-16-S			
						1-1/4"	FIR-0420-20-S	FIT-0420-20-S			
5"	6"	2"	1-1/2"	1/2"	1200	1/2"	FIR-0520-08-S	FIT-0520-08-S	FIP-0520-08-S	2-7/16"	8
						5/8"	FIR-0520-10-S	FIT-0520-10-S	FIP-0520-10-S		
						3/4"	FIR-0520-12-S	FIT-0520-12-S	FIP-0520-12-S		
						1"	FIR-0520-16-S	FIT-0520-16-S			
						1-1/4"	FIR-0520-20-S	FIT-0520-20-S			
6"	7"	2"	1-1/2"	1/2"	1500	1/2"	FIR-0620-08-S	FIT-0620-08-S	FIP-0620-08-S	2-7/16"	9
						5/8"	FIR-0620-10-S	FIT-0620-10-S	FIP-0620-10-S		
						3/4"	FIR-0620-12-S	FIT-0620-12-S	FIP-0620-12-S		
						1"	FIR-0620-16-S	FIT-0620-16-S			
						1-1/4"	FIR-0620-20-S	FIT-0620-20-S			
8"	9"	2"	1-1/2"	1/2"	2000	1/2"	FIR-0820-08-S	FIT-0820-08-S	FIP-0820-08-S	2-7/16"	12
						5/8"	FIR-0820-10-S	FIT-0820-10-S	FIP-0820-10-S		
						3/4"	FIR-0820-12-S	FIT-0820-12-S	FIP-0820-12-S		
						1"	FIR-0820-16-S	FIT-0820-16-S			
						1-1/4"	FIR-0820-20-S	FIT-0820-20-S			
8"	9"	3"	2-1/2"	1/2"	3000	3/4"	FIR-0830-12-S	FIT-0830-12-S	FIP-0830-12-S	3-9/16"	16
						1"	FIR-0830-16-S	FIT-0830-16-S	FIP-0830-16-S		
						1-1/4"	FIR-0830-20-S	FIT-0830-20-S			
						1-1/2"	FIR-0830-24-S				
12"	14"	3"	2-1/4"	3/4"	5000	1"	FIR-1230-16-S	FIT-1230-16-S		3-9/16"	32
						1-1/4"	FIR-1230-20-S	FIT-1230-20-S			
						1-1/2"	FIR-1230-24-S				

UP TO 5,000 POUND CAPACITY