



1225 Isley Road, Gastonia, NC
28052
Phone: [800-634-7704](tel:800-634-7704) Fax:
800-253-6634
www.rwmcasters.com

2-85 Series Kingpinless™ Casters

Kingpinless™ Dual Wheel Casters

RWM's 2-85 Series Kingpinless™ Dual Wheel Casters feature all of the benefits of our patented Kingpinless™ raceway and offer twice the capacity load.

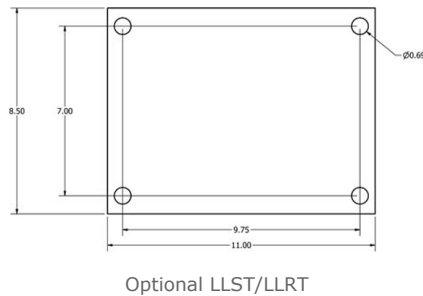
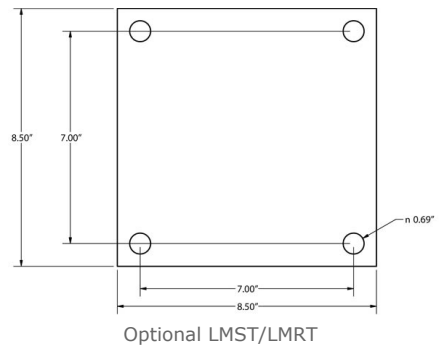
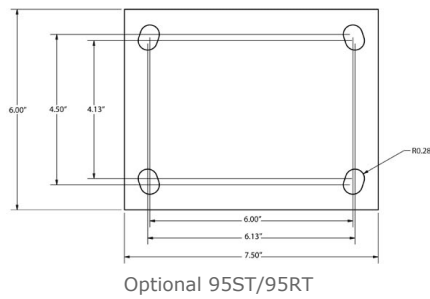
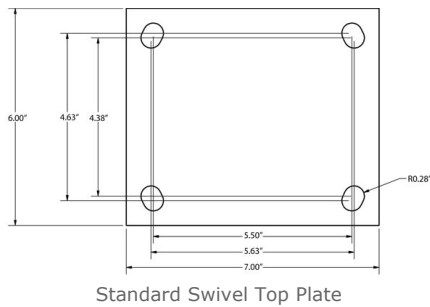
Our 2-85 Series Casters are proudly made in the USA! Log in below to download CAD drawings of this caster.

Dual wheel rigid casters top plates utilize a larger surface area on many sizes to accommodate the width of the wheels and leg spacing required. These casters will utilize special top plates combining the adapter plate and mounting plate together in one plasma cut component which look like this ([DOWNLOAD](#)). Dimensions stated as top plate size on these pages are the general outside dimensions of the standard plate when these tabs are not necessary such as on small sizes. Please contact the factory for specifics or if any questions in regards to the items you are looking at.



2-85-UIR-0830-S

Top Plates



Features

Raceway Design: Patented Kingpinless™ single ball bearing precision machined raceway hardened to 53 Rockwell C minimum. 4-1/4" diameter raceway with 5/8" ball bearings.

Capacity: 10,000 lbs.

Axle: 3/4" bolt and nut for 3" wide, 1" or 1-1/4" bolt and nut for 4" wide, 1-1/4" bolt and nut for 5" wide.

Finish: Laguna Blue powder coat

Wheels: 3" wide wheels are available with either a 1" roller bearing that rotates on 3/4" x 1" x 3-9/16" hardened and ground spanner bushings or 3/4" tapered bearings that rotate on a 3/4" axle. 4" and 5" wheels are available with either a 1-1/4" I.D. roller bearing which rotates on hardened and ground spanner bushings or 1- 1/4" tapered bearings which rotate on the axle. All wheels are equipped with lubrication fitting.

Mounting Plate Size: 6" x 7"

Bolt Hole Spacing: 4-5/8" x 5-1/2", slotted to 4- 3/8" to 5-5/8"

Mounting Bolt Diameter: 1/2"

Leg Thickness: 3/8" double welded

Mounting Plate Thickness: 1/2"

Applications

Dual wheel casters offer high weight capacities with minimal overall heights, better load distribution, floor protection and mobility than single wheel casters. This is a result of spreading the weight over a wider floor area while offering wheel differential action, resulting in less friction between the wheels and the floor, requiring less effort for the caster to swivel. Dual wheel casters are ideal for tow lines, shock load applications and abusive conditions, production line dollies and trucks used in various industries including but not limited to boat and ship molding and building, automotive, aerospace, metal fabricating, metal forging, heavy machinery and equipment, military equipment, mobile homes, etc. tractor pulled trailers, extreme duty platform trucks and material handling carts, air cargo and ground support equipment, storage tanks, gantries and heavy duty processing equipment, coliseum and gymnasium equipment, shipping / receiving carts, warehousing and freight terminal dollies and carts, and other extra heavy duty applications.

Options

CWB: Cam Wheel Brake

DSL: Demountable Swivel Lock - When ordering the Demountable Swivel Lock (DSL), you must also order the Notched Yoke (NY).

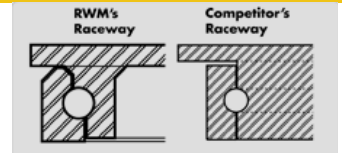
HDSL: Heavy Duty Demountable Swivel Lock
HT: High Temperature Lubrication
LT: Low Temperature Lubrication
NY: Notched Yoke
PCWB: Poly Cam Wheel Brake
SL: Swivel Lock
SR: Sealed Raceways
WS: Wheel Seals
ZP: Zinc Plating
HTP: High Temperature Paint
FG: Foot Guard
8SL: 8 Position Swivel Lock
LSL: L-Type Swivel Lock
VSL: Vertical Swivel Lock
SWP: Sweeper Brush

Benefits of Kingpinless™ Raceway

Our patented offset precision-machined raceway exerts radial force evenly where there is full contact between the ball bearing and the raceway. RWM's unique design adds more mass at key points. This, plus more thorough heat treatment, provides additional strength and combats brinelling into the core material.

The Result:

- No direct "hammering" forces on the intersections of the raceways
- Vastly reduced raceway wear
- Elimination of the "pull apart" forces of stress in the swivel section
- Smoother swiveling action
- High maneuverability
- Longer service life
- Less maintenance
- Extra impact resistance
- High radial force absorption



Optional Mounting Plates

Optional Top Plate Number	Mounting Plate	Bolt Hole Spacing	Bolt Size
95ST	6" x 7-1/2"	4-1/2" x 6" slotted to 4-1/8" x 6-1/8"	1/2"
95RT	6" x 7-1/2"	4-1/2" x 6" slotted to 4-1/8" x 6-1/8"	1/2"
LLST	8-1/2" x 11"	7" x 9-3/4"	5/8"
LLRT	8-1/2" x 11"	7" x 9-3/4"	5/8"
LMST	8-1/2" X 8-1/2"	7" x 7"	5/8"
LMRT	8-1/2" X 8-1/2"	7" x 7"	5/8"

Specifications

Wheel Diameter	Wheel Width	Wheel Type	lbs. Capacity	Overall Height	Straight Roller Bearing	Ball Bearing	Tapered Roller Bearing	Swivel Lead	Approx Weight
6"	3"	Cast Iron	6000	8-1/2"	2-85- CIR -0630-S		2-85- CIT -0630-S	1-9/16"	39
6"	3"	Durastan	4000	8-1/2"	2-85- DUR -0630-S			1-9/16"	24
6"	3"	Forged Steel	10000	8-1/2"	2-85- FSR -0630-S		2-85- FST -0630-S	1-9/16"	55
6"	3"	Nylatron HD	10000	8-1/2"		2-85- NYB -0630-S		1-9/16"	23
6"	3"	Solid Urethane	4000	8-1/2"		2-85- MUB -0630-S		1-9/16"	24
6"	3"	Urethane on Iron	4000	8-1/2"	2-85- UIR -0630-S		2-85- UIT -0630-S	1-9/16"	33
8"	3"	Cast Iron	6000	10-1/2"	2-85- CIR -0830-S		2-85- CIT -0830-S	2"	49
8"	3"	Durastan	5000	10-1/2"	2-85- DUR -0830-S			2"	28
8"	3"	Forged Steel	10000	10-1/2"	2-85- FSR -0830-S		2-85- FST -0830-S	2"	56
8"	3"	Nylatron HD	10000	10-1/2"		2-85- NYB -0830-S		2"	29
8"	3"	Omega	3200	10-1/2"	2-85- UOR -0830-S		2-85- UOT -0830-S	2"	52
8"	3"	Rubber on Iron-EHT	3360	10-1/2"	2-85- RIR -0830-S-EHT		2-85- RIT -0830-S-EHT	2"	50
8"	3"	Solid Urethane	5000	10-1/2"		2-85- MUB -0830-S		2"	28
8"	3"	Urethane on Iron	5000	10-1/2"	2-85- UIR -0830-S		2-85- UIT -0830-S	2"	52
8"	3"	Rubber On Iron	1680	10-1/2"	2-85- RIR -0830-S			2"	50
8"	4"	Cast Iron	8000	10-1/2"	2-85- CIR -0840-S		2-85- CIT -0840-S	2"	68
8"	4"	Forged Steel	10000	10-1/2"	2-85- FSR -0840-S		2-85- FST -0840-S	2"	88

8"	4"	Urethane on Iron	7000	10-1/2"	2-85- UIR -0840-S	2-85- UIT -0840-S	2"	64
10"	3"	Cast Iron	8000	12-1/2"	2-85- CIR -1030-S	2-85- CIT -1030-S	2-1/2"	74
10"	3"	Durastan	5800	12-1/2"	2-85- DUR -1030-S		2-1/2"	31
10"	3"	Forged Steel	10000	12-1/2"	2-85- FSR -1030-S	2-85- FST -1030-S	2-1/2"	76
10"	3"	GT	6800	12-1/2"		2-85- GTB -1030-S	2-1/2"	45
10"	3"	Nylatron HD	10000	12-1/2"		2-85- NYB -1030-S	2-1/2"	46
10"	3"	Omega	4000	12-1/2"	2-85- UOR -1030-S	2-85- UOT -1030-S	2-1/2"	61
10"	3"	Rubber on Aluminum-EHT	4000	12-1/2"		2-85- RAB -1030-S-EHT 2-85- RAT -1030-S-EHT	2-1/2"	61
10"	3"	Rubber on Iron-EHT	4000	12-1/2"	2-85- RIR -1030-S-EHT	2-85- RIT -1030-S-EHT	2-1/2"	54
10"	3"	Solid Urethane	6000	12-1/2"		2-85- MUB -1030-S	2-1/2"	31
10"	3"	Ultra Thick Urethane	6800	12-1/2"	2-85- UTR -1030-S	2-85- UTT -1030-S	2-1/2"	64
10"	3"	Urethane on Iron	6000	12-1/2"	2-85- UIR -1030-S	2-85- UIT -1030-S	2-1/2"	61
10"	3"	Rubber On Iron	2000	12-1/2"	2-85- RIR -1030-S	2-85- RIT -1030-S	2-1/2"	54
10"	4"	Cast Iron	10000	12-1/2"	2-85- CIR -1040-S	2-85- CIT -1040-S	2-1/2"	116
10"	4"	Forged Steel	10000	12-1/2"	2-85- FSR -1040-S	2-85- FST -1040-S	2-1/2"	110
10"	4"	Ultra Thick Urethane	9000	12-1/2"	2-85- UTR -1040-S	2-85- UTT -1040-S	2-1/2"	76
10"	4"	Urethane on Iron	8400	12-1/2"	2-85- UIR -1040-S	2-85- UIT -1040-S	2-1/2"	76
12"	3"	Cast Iron	10000	15-1/2"	2-85- CIR -1230-S	2-85- CIT -1230-S	3-3/8"	83
12"	3"	Durastan	7000	15-1/2"	2-85- DUR -1230-S		3-3/8"	34
12"	3"	Rubber on Aluminum-EHT	4560	15-1/2"		2-85- RAB -1230-S-EHT 2-85- RAT -1230-S-EHT	3-3/8"	88
12"	3"	Rubber on Iron-EHT	4560	15-1/2"	2-85- RIR -1230-S-EHT	2-85- RIT -1230-S-EHT	3-3/8"	83
12"	3"	Ultra Thick Urethane	8200	15-1/2"	2-85- UTR -1230	2-85- UTT -1230-S	3-3/8"	101
12"	3"	Urethane on Iron	6800	15-1/2"	2-85- UIR -1230-S	2-85- UIT -1230-S	3-3/8"	88
12"	3"	Rubber On Iron	2280	15-1/2"	2-85- RIR -1230-S	2-85- RIT -1230-S	3-3/8"	83
12"	4"	Ultra Thick Urethane	10000	15-1/2"	2-85- UTR -1240-S	2-85- UTT -1240-S	3-3/8"	106
12"	4"	Urethane on Iron	9600	15-1/2"	2-85- UIR -1240-S	2-85- UIT -1240-S	3-3/8"	96
12"	5"	Ultra Thick Urethane	10000	15-1/2"	2-85- UTR -1250-S	2-85- UTT -1250-S	3-3/8"	155
12"	5"	Urethane on Iron	10000	15-1/2"	2-85- UIR -1250-S	2-85- UIT -1250-S	3-3/8"	155
12"	6"	Urethane on Iron	10000	15-1/2"	2-85- UIR -1260-S	2-85- UIT -1260-S	3-3/8"	180
14"	3"	Ultra Thick Urethane	9600	16-1/2"	2-85- UTR -1430-S	2-85- UTT -1430-S	3-13/16"	126
14"	4"	Ultra Thick Urethane	10000	16-1/2"	2-85- UTR -1440-S	2-85- UTT -1440-S	3-13/16"	156
14"	5"	Ultra Thick Urethane	10000	16-1/2"	2-85- UTR -1450-S	2-85- UTT -1450-S	3-13/16"	170
14"	6"	Urethane on Iron	10000	16-1/2"	2-85- UIR -1460-S	2-85- UIT -1460-S	3-13/16"	178
16"	3"	Durastan	8000	18-1/2"	2-85- DUR -1630-S		4"	89
16"	3"	Ultra Thick Urethane	10000	18-1/2"	2-85- UTR -1630-S	2-85- UTT -1630-S	4"	94
16"	3"	Urethane on Iron	9200	18-1/2"	2-85- UIR -1630-S	2-85- UIT -1630-S	4"	115
16"	4"	Ultra Thick Urethane	10000	18-1/2"	2-85- UTR -1640-S	2-85- UTT -1640-S	4"	165
16"	4"	Urethane on Iron	10000	18-1/2"	2-85- UIR -1640-S	2-85- UIT -1640-S	4"	165
16"	5"	Ultra Thick Urethane	10000	18-1/2"	2-85- UTR -1650-S	2-85- UTT -1650-S	4"	205
16"	5"	Urethane on Iron	10000	18-1/2"	2-85- UIR -1650-S	2-85- UIT -1650-S	4"	185

To order a rigid caster, change the "S" to "R" in the model number. For example: "2-85-CIR-1040-R". To order rig only, omit the blue letters. For example: "2-85-1040-S". Dimensions shown are nominal. If precise dimensions are required, consult your RWM representative. For approximate weight of our rigid casters, deduct 5.4 pounds per item.