



1225 Isley Road, Gastonia, NC
28052
Phone: [800-634-7704](tel:800-634-7704) Fax:
800-253-6634
www.rwmcasters.com

65 Series Kingpinless™ Casters

Heavy Duty Kingpinless™ Casters



RWM Casters 65 Series industrial casters feature the original and time tested patented Kingpinless™ caster design. RWM patented this design that has proven to be the best solution for demanding applications such as automotive towlines, assembly lines and various heavy duty industrial applications. This is the Kingpinless™ caster design that all others are copying because it is simply unmatched in extending service life and reducing all possible causes for caster failure.

The 65 Series kingpinless caster is recommended for a wide range of industrial caster applications. Our 65 Series industrial casters are proudly made in the USA. Log in below to download free 2D or 3D CAD drawings & models of this caster. If our standard product line doesn't meet your specifications, give us a call. Custom caster design and production of custom casters for application specific standards is our specialty!



65-UAB-0821-S



65-GTB-0820-S

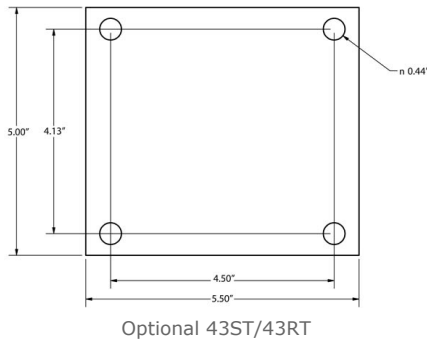
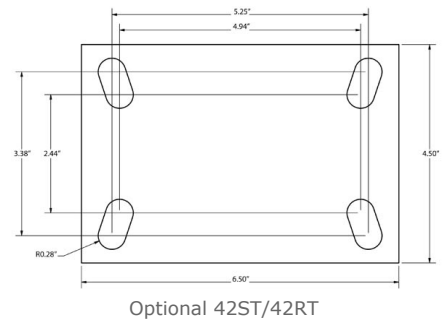
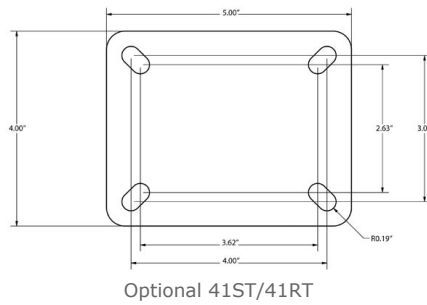
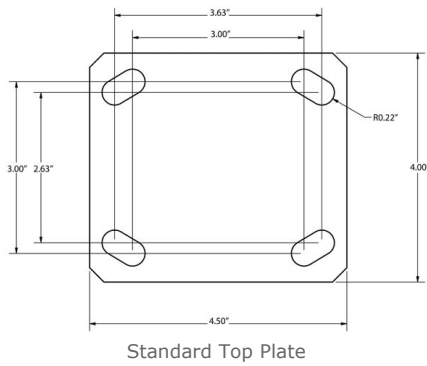


65-GTB-0820-S-ICWB



65-SWB-0620-R

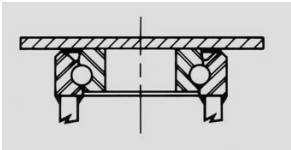
Top Plates



Swivel Sections and Cross Sections

KINGPINLESS™ CASTER SWIVEL SECTION

Raceway Diameter



Features

Raceway Design: Patented Kingpinless™ single ball bearing precision machined raceway hardened to 53 Rockwell C. minimum. Swivel section features a 2-3/8" diameter raceway with 3/8" ball bearings.

Capacity: 2,000 lbs.

Leg Thickness: 1/4" formed steel

Axle: 1/2" bolt and lock nut drilled with lube fitting

Finish: Zinc plated to protect against corrosion

Wheels: Wheels are available with a straight roller bearing which rotates on a hardened and ground spanner bushing, an annular ball bearing for ease of rollability or a celcon bearing

Mounting Plate Size: 4" x 4-1/2" x 1/4"

Bolt Hole Spacing: 2-5/8" x 3-5/8", slotted to 3" x 3"

Mounting Bolt Diameter: 3/8"

Swivel Sections: All swivel sections are supplied with a lubrication fitting for field maintenance.

Applications

The 65 Series heavy duty Kingpinless™ Casters are used in the following:

- Aircraft Maintenance and Support Applications
- Towing applications
- Automotive Assembly Lines
- Heavy Duty Industrial Applications
- Manufacturing Applications
- NSF available

Options

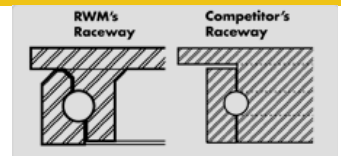
| | |
|--------------|--|
| DSL | Demountable Swivel Lock |
| SL | Swivel Lock |
| FOSL | Foot Operated Swivel Lock |
| TG | Thread Guards |
| WB | Steel Side Brake (Roller Bearing Only) |
| WWB | Wrap Around Brake (Roller Bearing Only, 5" and larger sizes) |
| ICWB | Installable Face Contact Brake |
| HT | High Temperature Lubrication |
| LT | Low Temperature Lubrication |
| SR | Sealed Swivel Raceway |
| WS | Wheel Seals |
| HTP | High Temperature Paint |
| LS | Locking Stem |
| FIFG | Field Installable Foot Guard |
| FG | Foot Guard |
| CWB | Cam Wheel Brake |
| LP | Locking Plate – Total Lock for 8" Casters Only |
| MICWB | Metal Installable Cam Wheel Brake |

Benefits of Kingpinless™ Raceway

Our patented offset precision-machined raceway exerts radial force evenly where there is full contact between the ball bearing and the raceway. RWM's unique design adds more mass at key points. This, plus more thorough heat treatment, provides additional strength and combats brinelling into the core material.

The Result:

- No direct "hammering" forces on the intersections of the raceways
- Vastly reduced raceway wear
- Elimination of the "pull apart" forces of stress in the swivel section
- Smoother swiveling action
- High maneuverability
- Longer service life
- Less maintenance
- Extra impact resistance
- High radial force absorption



Specifications

| Wheel Diameter | Wheel Width | Wheel Type | lbs. Capacity | Overall Height | Caged, Straight Roller Bearing | Flanged, Sealed Precision, 1pc. Ball Bearing | Plain, Oilite, Celcon Bearing | Swivel Lead | Approx Weight |
|----------------|-------------|--------------|---------------|----------------|--------------------------------|--|-------------------------------|-------------|---------------|
| 4" | 1-1/2" | Forged Steel | 1400 | 5-5/8" | 65- FSR -0415-S | | 65- FSC -0415-S | 1-3/16" | 9.0 |
| 4" | 2" | Cast Iron | 800 | 5-5/8" | 65- CIR -0420-S | 65- CIB -0420-S | 65- CIC -0420-S | 1-3/16" | 10.0 |
| 4" | 2" | Durastan | 800 | 5-5/8" | 65- DUR -0420-S | 65- DUB -0420-S | 65- DUC -0420-S | 1-3/16" | 8.0 |
| 4" | 2" | GT | 1050 | 5-5/8" | | 65- GTB -0420-S | | 1-3/16" | 8.0 |

| | | | | | | | | | | |
|----|----|------------------------|------|---------|------------------------|----------------------------|------------------------|--|---------|------|
| 4" | 2" | High Temp. Nylon | 800 | 5-5/8" | 65- HNR -0420-S | | | | 1-3/16" | 8.0 |
| 4" | 2" | Nylatron HD | 2000 | 5-5/8" | | 65- NYB -0420-S | | | 1-3/16" | 8.5 |
| 4" | 2" | Performance TPR | 350 | 5-5/8" | 65- RPR -0420-S | 65- RPB -0420-S | 65- RPC -0420-S | | 1-3/16" | 7.3 |
| 4" | 2" | Pinnacle | 800 | 5-5/8" | 65- PNR -0420-S | 65- PNB -0420-S | 65- PNC -0420-S | | 1-3/16" | 8.0 |
| 4" | 2" | Polyolefin | 500 | 5-5/8" | 65- POR -0420-S | 65- POB -0420-S | 65- POC -0420-S | | 1-3/16" | 7.6 |
| 4" | 2" | Rubber on Aluminum | 700 | 5-5/8" | | 65- RAB -0420-S-EHT | | | 1-3/16" | 8.0 |
| 4" | 2" | Rubber on Iron | 350 | 5-5/8" | 65- RIR -0420-S | | 65- RIC -0420-S | | 1-3/16" | 8.0 |
| 4" | 2" | Signature | 400 | 5-5/8" | 65- SWR -0420-S | 65- SWB -0420-S | 65- SWC -0420-S | | 1-3/16" | 7.0 |
| 4" | 2" | Solid Urethane | 700 | 5-5/8" | | 65- MUB -0420-S | | | 1-3/16" | 7.0 |
| 4" | 2" | Urethane on Aluminum | 700 | 5-5/8" | 65- UAR -0420-S | | 65- UAC -0420-S | | 1-3/16" | 7.5 |
| 4" | 2" | Urethane on Iron | 700 | 5-5/8" | 65- UIR -0420-S | | 65- UIC -0420-S | | 1-3/16" | 8.0 |
| 4" | 2" | Urethane Polypropylene | 600 | 5-5/8" | 65- UPR -0420-S | 65- UPB -0420-S | 65- UPC -0420-S | | 1-3/16" | 7.3 |
| 4" | 2" | V-Groove Iron | 800 | 5-5/8" | 65- VIR -0420-S | | 65- VIC -0420-S | | 1-3/16" | 10.0 |
| 5" | 2" | Cast Iron | 1000 | 6-1/2" | 65- CIR -0520-S | 65- CIB -0520-S | 65- CIC -0520-S | | 1-3/8" | 12.0 |
| 5" | 2" | Durastan | 1000 | 6-1/2" | 65- DUR -0520-S | 65- DUB -0520-S | 65- DUC -0520-S | | 1-3/8" | 9.0 |
| 5" | 2" | Forged Steel | 1500 | 6-1/2" | 65- FSR -0520-S | | 65- FSC -0520-S | | 1-3/8" | 12.0 |
| 5" | 2" | GT | 1200 | 6-1/2" | | 65- GTB -0520-S | | | 1-3/8" | 9.0 |
| 5" | 2" | High Temp. Nylon | 1000 | 6-1/2" | 65- HNR -0520-S | | | | 1-3/8" | 9.0 |
| 5" | 2" | Nylatron HD | 2000 | 6-1/2" | | 65- NYB -0520-S | | | 1-3/8" | 9.5 |
| 5" | 2" | Performance TPR | 375 | 6-1/2" | 65- RPR -0520-S | 65- RPB -0520-S | 65- RPC -0520-S | | 1-3/8" | 7.3 |
| 5" | 2" | Pinnacle | 1000 | 6-1/2" | 65- PNR -0520-S | 65- PNB -0520-S | 65- PNC -0520-S | | 1-3/8" | 9.0 |
| 5" | 2" | Polyolefin | 650 | 6-1/2" | 65- POR -0520-S | 65- POB -0520-S | 65- POC -0520-S | | 1-3/8" | 8.7 |
| 5" | 2" | Rubber on Aluminum | 800 | 6-1/2" | | 65- RAB -0520-S-EHT | | | 1-3/8" | 8.6 |
| 5" | 2" | Rubber on Iron | 400 | 6-1/2" | 65- RIR -0520-S | | 65- RIC -0520-S | | 1-3/8" | 9.0 |
| 5" | 2" | Signature | 500 | 6-1/2" | 65- SWR -0520-S | 65- SWB -0520-S | 65- SWC -0520-S | | 1-3/8" | 7.6 |
| 5" | 2" | Solid Urethane | 1000 | 6-1/2" | | 65- MUB -0520-S | | | 1-3/8" | 7.6 |
| 5" | 2" | Urethane on Aluminum | 1050 | 6-1/2" | 65- UAR -0520-S | | 65- UAC -0520-S | | 1-3/8" | 8.5 |
| 5" | 2" | Urethane on Iron | 1050 | 6-1/2" | 65- UIR -0520-S | | 65- UIC -0520-S | | 1-3/8" | 9.0 |
| 5" | 2" | Urethane Polypropylene | 750 | 6-1/2" | 65- UPR -0520-S | 65- UPB -0520-S | 65- UPC -0520-S | | 1-3/8" | 7.3 |
| 5" | 2" | V-Groove Iron | 800 | 6-1/2" | 65- VIR -0520-S | | 65- VIC -0520-S | | 1-3/8" | 12.0 |
| 6" | 2" | Cast Iron | 1200 | 7-1/2" | 65- CIR -0620-S | 65- CIB -0620-S | 65- CIC -0620-S | | 1-9/16" | 13.0 |
| 6" | 2" | Durastan | 1200 | 7-1/2" | 65- DUR -0620-S | 65- DUB -0620-S | 65- DUC -0620-S | | 1-9/16" | 10.0 |
| 6" | 2" | Forged Steel | 1800 | 7-1/2" | 65- FSR -0620-S | | 65- FSC -0620-S | | 1-9/16" | 13.0 |
| 6" | 2" | GT | 1500 | 7-1/2" | | 65- GTB -0620-S | | | 1-9/16" | 10.0 |
| 6" | 2" | High Temp. Nylon | 1200 | 7-1/2" | 65- HNR -0620-S | | | | 1-9/16" | 10.0 |
| 6" | 2" | Nylatron HD | 2000 | 7-1/2" | | 65- NYB -0620-S | | | 1-9/16" | 11.0 |
| 6" | 2" | Omega | 1000 | 7-1/2" | 65- UOR -0620-S | 65- UOB -0620-S | 65- UOC -0620-S | | 1-9/16" | 12.0 |
| 6" | 2" | Performance TPR | 525 | 7-1/2" | 65- RPR -0620-S | 65- RPB -0620-S | 65- RPC -0620-S | | 1-9/16" | 7.7 |
| 6" | 2" | Pinnacle | 1200 | 7-1/2" | 65- PNR -0620-S | 65- PNB -0620-S | 65- PNC -0620-S | | 1-9/16" | 10.0 |
| 6" | 2" | Polyolefin | 700 | 7-1/2" | 65- POR -0620-S | 65- POB -0620-S | 65- POC -0620-S | | 1-9/16" | 8.7 |
| 6" | 2" | Rubber on Aluminum | 820 | 7-1/2" | | 65- RAB -0620-S-EHT | | | 1-9/16" | 10.0 |
| 6" | 2" | Rubber on Iron | 410 | 7-1/2" | 65- RIR -0620-S | | 65- RIC -0620-S | | 1-9/16" | 10.0 |
| 6" | 2" | Signature | 600 | 7-1/2" | 65- SWR -0620-S | 65- SWB -0620-S | 65- SWC -0620-S | | 1-9/16" | 9.0 |
| 6" | 2" | Solid Urethane | 1200 | 7-1/2" | | 65- MUB -0620-S | | | 1-9/16" | 9.0 |
| 6" | 2" | Urethane on Aluminum | 1230 | 7-1/2" | 65- UAR -0620-S | | 65- UAC -0620-S | | 1-9/16" | 11.0 |
| 6" | 2" | Urethane on Iron | 1230 | 7-1/2" | 65- UIR -0620-S | | 65- UIC -0620-S | | 1-9/16" | 12.0 |
| 6" | 2" | Urethane Polypropylene | 900 | 7-1/2" | 65- UPR -0620-S | 65- UPB -0620-S | 65- UPC -0620-S | | 1-9/16" | 7.7 |
| 6" | 2" | Torus | 1230 | 7-1/2" | | 65- UAB -0621-S | | | 1-9/16" | 11.0 |
| 6" | 2" | V-Groove Iron | 1000 | 7-1/2" | 65- VIR -0620-S | | 65- VIC -0620-S | | 1-9/16" | 13.0 |
| 8" | 2" | Cast Iron | 1400 | 10-1/8" | 65- CIR -0820-S | 65- CIB -0820-S | 65- CIC -0820-S | | 2 -1/4" | 16.0 |
| 8" | 2" | Durastan | 1400 | 10-1/8" | 65- DUR -0820-S | 65- DUB -0820-S | 65- DUC -0820-S | | 2 -1/4" | 11.0 |
| 8" | 2" | GT | 1800 | 10-1/8" | | 65- GTB -0820-S | | | 2 -1/4" | 11.0 |
| 8" | 2" | Nylatron HD | 2000 | 10-1/8" | | 65- NYB -0820-S | | | 2 -1/4" | 12.0 |
| 8" | 2" | Performance TPR | 600 | 10-1/8" | 65- RPR -0820-S | 65- RPB -0820-S | 65- RPC -0820-S | | 2 -1/4" | 9.1 |
| 8" | 2" | Pinnacle | 1400 | 10-1/8" | 65- PNR -0820-S | 65- PNB -0820-S | 65- PNC -0820-S | | 2 -1/4" | 11.0 |
| 8" | 2" | Omega | 1200 | 10-1/8" | 65- UOR -0820-S | 65- UOB -0820-S | | | 2 -1/4" | 13.0 |

| | | | | | | | | | |
|----|----|------------------------|------|---------|------------------------|----------------------------|------------------------|---------|------|
| 8" | 2" | Polyolefin | 800 | 10-1/8" | 65- POR -0820-S | 65- POB -0820-S | 65- POC -0820-S | 2 -1/4" | 9.1 |
| 8" | 2" | Rubber on Aluminum | 1000 | 10-1/8" | | 65- RAB -0820-S-EHT | | 2 -1/4" | 11.0 |
| 8" | 2" | Rubber on Iron | 500 | 10-1/8" | 65- RIR -0820-S | | 65- RIC -0820-S | 2 -1/4" | 11.0 |
| 8" | 2" | Signature | 700 | 10-1/8" | 65- SWR -0820-S | 65- SWB -0820-S | 65- SWC -0820-S | 2 -1/4" | 10.0 |
| 8" | 2" | Solid Urethane | 1500 | 10-1/8" | | 65- MUB -0820-S | | 2 -1/4" | 10.0 |
| 8" | 2" | Urethane on Aluminum | 1500 | 10-1/8" | 65- UAR -0820-S | | 65- UAC -0820-S | 2 -1/4" | 12.0 |
| 8" | 2" | Urethane on Iron | 1500 | 10-1/8" | 65- UIR -0820-S | | 65- UIC -0820-S | 2 -1/4" | 13.0 |
| 8" | 2" | Urethane Polypropylene | 1000 | 10-1/8" | 65- UPR -0820-S | 65- UPB -0820-S | 65- UPC -0820-S | 2 -1/4" | 9.1 |
| 8" | 2" | Torus | 1500 | 10-1/8" | | 65- UAB -0821-S | | 2 -1/4" | 12.0 |
| 8" | 2" | V-Groove Iron | 1050 | 10-1/8" | 65- VIR -0820-S | | 65- VIC -0820-S | 2 -1/4" | 16.0 |