



1225 Isley Road, Gastonia, NC 28052
Phone: [800-634-7704](tel:800-634-7704) Fax: 800-253-6634
www.rwmcasters.com

52 Series Casters

Medium Heavy Duty Casters



RWM Caster's 52 Series is manufactured from cold formed steel. This series is highly recommended for use in medium duty industrial caster applications. Log in below to download FREE 2D or 3D CAD drawings and models of this caster.

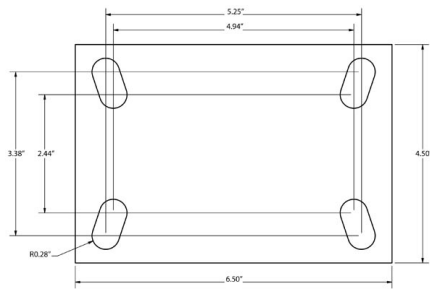


52-FSR-0620-S

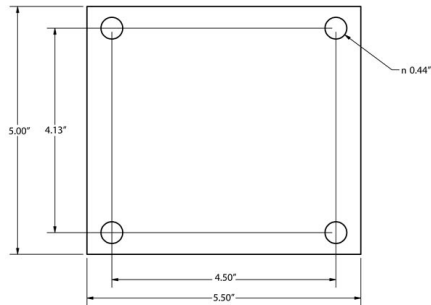


52-SWB-0620-R

Top Plates



Standard Top Plate

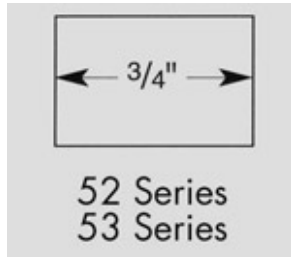
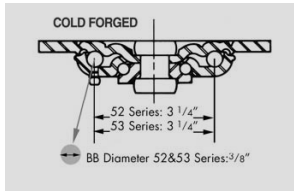


Optional 43ST/43RT

Swivel Sections and Cross Sections

Swivel Cross Section

Rivet Cross Section



Features

Swivel Section: Cold formed top plate, yoke and button are all heat treated to prevent brinelling, improve swivel action and increase service life. Load and thrust bearings are hardened and ground and rotate on hardened raceways. Top plate and legs are 1/4" steel, legs formed for increased strength and continuously welded to yoke. All swivel sections are equipped with a lubrication fitting for field maintenance. RWM lubricates all swivel sections prior to shipment.

Kingpin: 3/4" diameter rivet hydraulically compressed to increase strength of swivel section as compared to staking

Capacity: 1400 lbs.

Axle: 1/2" diameter drilled axle with lubrication fitting provided on 2" casters to improve ease of lubrication

Finish: Zinc plated to protect against corrosion

Mounting Plate Size: 4-1/2" x 6-1/2" x 1/4"

Bolt Hole Spacing: 2-7/16" x 4-15/16", slotted to 3- 3/8" x 5-1/4"

Mounting Bolt Diameter: 1/2"

Applications

The 52 Series is the perfect solution for:

- movable racks
- conveyor and drag line applications
- utility trucks
- corrugated box trucks
- caster mounted production jigs and fixtures
- maintenance carts

Options

HT: High Temperature Lubrication

ICWB: Installable Face Contact Brake (2" wide only)

LT: Low Temperature Lubrication

KB: Nut and Bolt Kingpin

SL: Swivel Lock

SR: Sealed Swivel Raceway

TG: Thread Guards

WB: Side Wheel Brake (roller bearing only)

WS: Wheel Seals

WWB: Wrap Around Wheel Brake

FIFG: Field Installable Foot Guard

MICWB: Metal Installable Cam Wheel Brake

Optional Mounting Plates

Optional Top Plate Number	Mounting Plate	Bolt Hole Spacing	Bolt Size
43ST	5" x 5-1/2"	4-1/8" x 4-1/2"	3/8"

Optional Overall Heights

Wheel Diameter	Overall Height
4"	5-1/8"
5"	6-1/2"
6"	7-1/2"
8"	9-1/2"
8"	10-1/8"

Specifications

Wheel Diameter	Wheel Width	Wheel Type	Capacity	Overall Height	Caged, Straight Roller Bearing	Flanged, Sealed Precision, 1pc. Ball Bearing	Plain, Oilite, Celcon Bearing	Swivel Lead	Approx Weight
4"	1-1/2"	Forged Steel	1400	5-3/4"	52- FSR -0415-S		52- FSC -0415-S	1-13/32"	8.8
4"	2"	Cast Iron	800	5-3/4"	52- CIR -0420-S	52- CIB -0420-S	52- CIC -0420-S	1-3/8"	8.3
4"	2"	Durastan	800	5-3/4"	52- DUR -0420-S	52- DUB -0420-S	52- DUC -0420-S	1-3/8"	6.4
4"	2"	GT	1050	5-3/4"		52- GTB -0420-S		1-3/8"	6.4
4"	2"	High Temp. Nylon	800	5-3/4"	52- HNR -0420-S			1-3/8"	5.8
4"	2"	Nylatron HD	1400	5-3/4"		52- NYB -0420-S		1-3/8"	6.9
4"	2"	Performance TPR	350	5-3/4"	52- RPR -0420-R	52- RPB -0420-R	52- RPC -0420-S	1-3/8"	6.5
4"	2"	Polyolefin	500	5-3/4"	52- POR -0420-S	52- POB -0420-S	52- POC -0420-S	1-3/8"	6.0
4"	2"	Rubber on Aluminum	700	5-3/4"		52- RAB -0420-S-EHT		1-3/8"	6.5
4"	2"	Rubber on Iron	350	5-3/4"	52- RIR -0420-S		52- RIC -0420-S	1-3/8"	8.1
4"	2"	Urethane on Aluminum	700	5-3/4"	52- UAR -0420-S		52- UAC -0420-S	1-3/8"	6.6
4"	2"	Solid Urethane	700	5-3/4"		52- MUB -0420-S		1-3/8"	6.2
4"	2"	Urethane on Iron	700	5-3/4"	52- UIR -0420-S		52- UIC -0420-S	1-3/8"	8.2
4"	2"	Urethane Polypropylene	600	5-3/4"	52- UPR -0420-S	52- UPB -0420-S	52- UPC -0420-S	1-3/8"	6.5
4"	2"	V-Groove Iron	800	5-3/4"	52- VIR -0420-S		52- VIC -0420-S	1-3/8"	8.5
4"	2"	Signature	400	5-3/4"	52- SWR -0420-S	52- SWB -0420-S	52- SWC -0420-S	1-3/8"	6.2
4"	2"	Pinnacle	800	5-3/4"	52- PNR -0420-S	52- PNB -0420-S	52- PNC -0420-S	1-3/8"	6.0
5"	2"	Cast Iron	1000	7-1/4"	52- CIR -0520-S	52- CIB -0520-S	52- CIC -0520-S	1-13/16"	9.6
5"	2"	Durastan	1000	7-1/4"	52- DUR -0520-S	52- DUB -0520-S	52- DUC -0520-S	1-13/16"	6.9
5"	2"	Forged Steel	1400	7-1/4"	52- FSR -0520-S		52- FSC -0520-S	1-13/16"	10.8
5"	2"	GT	1200	7-1/4"		52- GTB -0520-S		1-13/16"	6.9
5"	2"	High Temp. Nylon	1000	7-1/4"	52- HNR -0520-S			1-13/16"	6.9
5"	2"	Nylatron HD	1400	7-1/4"		52- NYB -0520-S		1-13/16"	7.4
5"	2"	Performance TPR	375	7-1/4"	52- RPR -0520-S	52- RPB -0520-R	52- RPC -0520-S	1-13/16"	7.0
5"	2"	Polyolefin	650	7-1/4"	52- POR -0520-S	52- POB -0520-S	52- POC -0520-S	1-13/16"	6.1
5"	2"	Rubber on Aluminum	800	7-1/4"		52- RAB -0520-S-EHT		1-13/16"	7.2
5"	2"	Rubber on Iron	400	7-1/4"	52- RIR -0520-S		52- RIC -0520-S	1-13/16"	9.1
5"	2"	Solid Urethane	1000	7-1/4"		52- MUB -0520-S		1-13/16"	6.5
5"	2"	Urethane on Aluminum	1050	7-1/4"	52- UAR -0520-S		52- UAC -0520-S	1-13/16"	7.0
5"	2"	Urethane on Iron	1050	7-1/4"	52- UIR -0520-S		52- UIC -0520-S	1-13/16"	9.2
5"	2"	Urethane Polypropylene	750	7-1/4"	52- UPR -0520-S	52- UPB -0520-S	52- UPC -0520-S	1-13/16"	7.0
5"	2"	V-Groove Iron	800	7-1/4"	52- VIR -0520-S		52- VIC -0520-S	1-13/16"	9.9
5"	2"	Signature	500	7-1/4"	52- SWR -0520-S	52- SWB -0520-S	52- SWC -0520-S	1-13/16"	6.5
5"	2"	Pinnacle	1000	7-1/4"	52- PNR -0520-S	52- PNB -0520-S	52- PNC -0520-S	1-13/16"	6.3
6"	2"	Cast Iron	1200	7-3/4"	52- CIR -0620-S	52- CIB -0620-S	52- CIC -0620-S	1-13/16"	11.2
6"	2"	Durastan	1200	7-3/4"	52- DUR -0620-S	52- DUB -0620-S	52- DUC -0620-S	1-13/16"	8.0
6"	2"	Forged Steel	1400	7-3/4"	52- FSR -0620-S		52- FSC -0620-S	1-13/16"	12.5
6"	2"	GT	1400	7-3/4"		52- GTB -0620-S		1-13/16"	8.0
6"	2"	High Temp. Nylon	1200	7-3/4"	52- HNR -0620-S			1-13/16"	8.0
6"	2"	Omega	1000	7-3/4"	52- UOR -0620-S	52- UOB -0620-S		1-13/16"	10.5
6"	2"	Performance TPR	525	7-3/4"	52- RPR -0620-S	52- RPB -0620-R	52- RPC -0620-S	1-13/16"	7.0
6"	2"	Polyolefin	700	7-3/4"	52- POR -0620-S	52- POB -0620-S	52- POC -0620-S	1-13/16"	8.0

6"	2"	Rubber on Aluminum	820	7-3/4"		52- RAB -0620-S-EHT		1-13/16"	9.5
6"	2"	Rubber on Iron	410	7-3/4"	52- RIR -0620-S		52- RIC -0620-S	1-13/16"	9.5
6"	2"	Solid Urethane	1200	7-3/4"		52- MUB -0620-S		1-13/16"	7.2
6"	2"	Urethane on Aluminum	1230	7-3/4"	52- UAR -0620-S		52- UAC -0620-S	1-13/16"	7.8
6"	2"	Urethane on Iron	1230	7-3/4"	52- UIR -0620-S		52- UIC -0620-S	1-13/16"	10.5
6"	2"	Urethane Polypropylene	900	7-3/4"	52- UPR -0620-S	52- UPB -0620-S	52- UPC -0620-S	1-13/16"	7.0
6"	2"	V-Groove Iron	1000	7-3/4"	52- VIR -0620-S		52- VIC -0620-S	1-13/16"	11.2
6"	2"	Signature	600	7-3/4"	52- SWR -0620-S	52- SWB -0620-S	52- SWC -0620-S	1-13/16"	7.2
6"	2"	Pinnacle	1200	7-3/4"	52- PNR -0620-S	52- PNB -0620-S	52- PNC -0620-S	1-13/16"	6.9
6"	2"	Torus	1200	7-3/4"		52- UAB -0621-S		1-13/16"	6.1
6"	2-1/2"	Cast Iron	1400	7-3/4"	52- CIR -0625-S			1-13/16"	15.1
6"	2-1/2"	Durastan	1400	7-3/4"	52- DUR -0625-S			1-13/16"	10.8
6"	2-1/2"	Forged Steel	1400	7-3/4"	52- FSR -0625-S			1-13/16"	19.5
6"	2-1/2"	Rubber on Iron	540	7-3/4"	52- RIR -0625-S			1-13/16"	13.8
6"	2-1/2"	Urethane on Iron	1400	7-3/4"	52- UIR -0625-S			1-13/16"	17.0
6"	2-1/2"	V-Groove Iron	1400	7-3/4"	52- VIR -0625-S			1-13/16"	17.2
6"	2-1/2"	Rubber on Iron-EHT	810	7-3/4"	52- RIR -0625-S-EHT			1-13/16"	13.8
8"	2"	Cast Iron	1400	9-3/4"	52- CIR -0820-S	52- CIB -0820-S	52- CIC -0820-S	2-1/4"	15.3
8"	2"	Durastan	1400	9-3/4"	52- DUR -0820-S	52- DUB -0820-S	52- DUC -0820-S	2-1/4"	9.7
8"	2"	GT	1400	9-3/4"		52- GTB -0820-S		2-1/4"	9.7
8"	2"	Omega	1200	9-3/4"	52- UOR -0820-S	52- UOB -0820-S		2-1/4"	14.1
8"	2"	Performance TPR	600	9-3/4"	52- RPR -0820-S	52- RPB -0820-R	52- RPC -0820-S	2-1/4"	9.0
8"	2"	Polyolefin	800	9-3/4"	52- POR -0820-S	52- POB -0820-S	52- POC -0820-S	2-1/4"	7.7
8"	2"	Rubber on Aluminum	1000	9-3/4"		52- RAB -0820-S-EHT		2-1/4"	12.2
8"	2"	Rubber on Iron	500	9-3/4"	52- RIR -0820-S		52- RIC -0820-S	2-1/4"	12.2
8"	2"	Solid Urethane	1400	9-3/4"		52- MUB -0820-S		2-1/4"	8.0
8"	2"	Urethane on Aluminum	1400	9-3/4"	52- UAR -0820-S		52- UAC -0820-S	2-1/4"	9.3
8"	2"	Urethane on Iron	1400	9-3/4"	52- UIR -0820-S		52- UIC -0820-S	2-1/4"	14.1
8"	2"	Urethane Polypropylene	1000	9-3/4"	52- UPR -0820-S	52- UPB -0820-S	52- UPC -0820-S	2-1/4"	9.0
8"	2"	V-Groove Iron	1050	9-3/4"	52- VIR -0820-S		52- VIC -0820-S	2-1/4"	15.0
8"	2"	Signature	700	9-3/4"	52- SWR -0820-S	52- SWB -0820-S	52- SWC -0820-S	2-1/4"	8.0
8"	2"	Pinnacle	1400	9-3/4"	52- PNR -0820-S	52- PNB -0820-S	52- PNC -0820-S	2-1/4"	7.8
8"	2"	Torus	1400	9-3/4"		52- UAB -0821-S		2-1/4"	7.3
8"	2-1/2"	Cast Iron	1400	9-3/4"	52- CIR -0825-S			2-1/4"	19.7
8"	2-1/2"	Durastan	1400	9-3/4"	52- DUR -0825-S			2-1/4"	13.1
8"	2-1/2"	Forged Steel	1400	9-3/4"	52- FSR -0825-S			2-1/4"	29.6
8"	2-1/2"	Rubber on Iron	670	9-3/4"	52- RIR -0825-S			2-1/4"	17.8
8"	2-1/2"	Urethane on Iron	1400	9-3/4"	52- UIR -0825-S			2-1/4"	18.8
8"	2-1/2"	V-Groove Iron	1400	9-3/4"	52- VIR -0825-S			2-1/4"	20.0
8"	2-1/2"	Rubber on Iron-EHT	1005	9-3/4"	52- RIR -0825-S-EHT			2-1/4"	17.8

To order a rigid caster, change the "S" to "R" in the model number. For example, 52-FSR-0620-R. To order a rig only, omit the blue letters. For example: 52-0620-S. Note: (1.) For weight of Caster with brake add .24 pounds. (2.) For weight of Rigid Caster deduct .7 pounds. Dimensions shown are nominal. If precise dimensions are required, please consult your RWM Representative.