



1225 Isley Road, Gastonia, NC
28052
Phone: [800-634-7704](tel:800-634-7704) Fax:
800-253-6634
www.rwmcasters.com

76 Series Kingpinless™ Casters

Heavy Duty Kingpinless™ Casters



RWM Casters 76 Series industrial casters feature the patented Kingpinless™ caster design. This is the design that RWM patented, and that has proven to be the best solution for demanding heavy duty applications. This is the caster design that all others are copying because it is simply unmatched in extending service life, reducing all possible causes for caster failure.

The 76 Series offers up to 7000 lb. capacity and is available with a wide variety of wheels in 3" width. This caster is designed with beefier legs and extended leads making it an excellent option for towing operation in automotive assembly plants, tire manufacturing and heavy duty industrial applications demanding a superior product. All swivel sections are supplied with a lubrication fitting for field maintenance. The 76 series is case hardened for extended service life. It will not crack like through hardened or induction hardened construction provided by other caster manufacturers. Our 76 series industrial casters are proudly made in the USA! Log in below to download free 2D or 3D CAD drawings and models of this caster. If our standard product line doesn't meet your specifications, give us a call. Custom design and production of custom casters for application specific standards is our specialty!

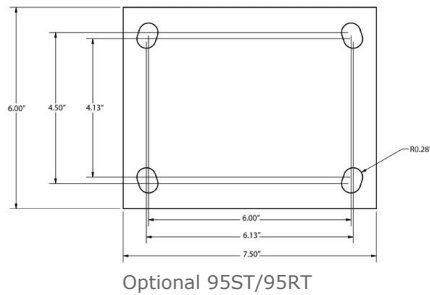
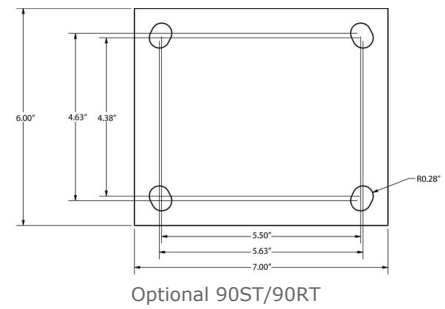
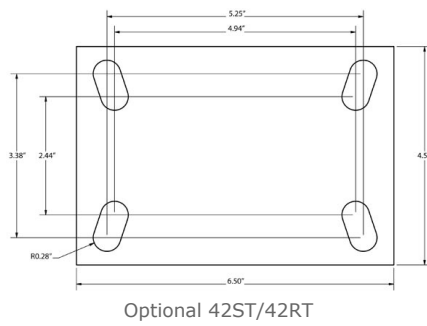
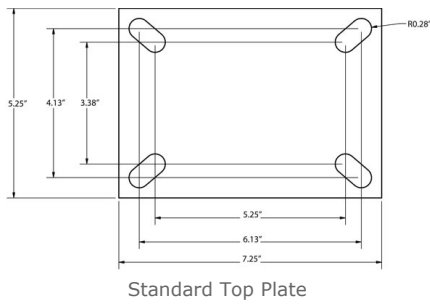


76-UOT-0830-S



76-UOT-1030-R

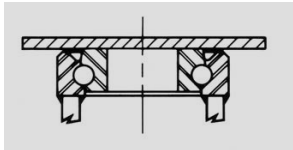
Top Plates



Swivel Sections and Cross Sections

KINGPINLESS™ CASTER SWIVEL SECTION

Raceway Diameter



Features

Raceway Design: Patented Kingpinless™ single ball bearing precision machined raceway hardened to 53 Rockwell C minimum. Swivel section features 3" diameter raceway with 1/2" ball bearings. The notched raceway is standard.

Capacity: 7,000 lbs.

Leg Thickness: 3/8"

Axle: 3/4" bolt with lock or slotted nut as required

Finish: Laguna Blue powder coat

Wheels: Wheels are available with either a 1" roller bearing which rotates on a hardened and ground spanner bushing or 3/4" tapered bearings that rotate on the axle. All wheels are equipped with a lubrication fitting.

Mounting Plate Size: 5-1/4" x 7-1/4" x 3/8"

Bolt Hole Spacing: 3-3/8" x 5-1/4", slotted to 4-1/8" x 6-1/8"

Mounting Bolt Diameter: 1/2"

Applications

The 76 Series typical applications include dollies, utility carts, tow line and platform trucks. This caster is also ideal for: tow lines, shock load applications and abusive conditions, production line dollies and trucks used in various industries including but not limited to: boat and ship molding and building, automotive, aerospace, metal fabricating, metal forging, heavy machinery and equipment, military equipment, mobile homes, etc. Tractor pulled trailers, extreme duty platform trucks and material handling carts, air cargo and ground support equipment, storage tanks, gantries and heavy duty processing equipment, coliseum and gymnasium equipment, shipping/receiving carts, warehousing and freight terminal dollies and carts, and countless other heavy duty applications. This caster is the mainstay in tire manufacturing.

Options

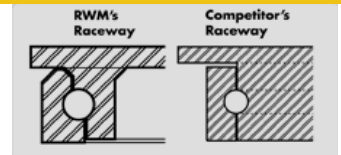
CWB: Cam Wheel Brake
DSL: Demountable Swivel Lock
HT: High Temperature Lubrication
LT: Low Temperature Lubrication
PCWB: Poly Cam Wheel Brake
SL: Swivel Lock
SR: Sealed Swivel Raceway
ZP: Zinc Plated
FICWB: Field Installable Cam Wheel Brake (FICWB Brake is for swivel casters only)
HTP: High Temperature Paint
FG: Foot Guard
LSL: L-Type Swivel Lock
VSL: Vertical Swivel Lock
SWP: Sweeper Brush

Benefits of Kingpinless™ Raceway

Our patented offset precision-machined raceway exerts radial force evenly where there is full contact between the ball bearing and the raceway. RWM's unique design adds more mass at key points. This, plus more thorough heat treatment, provides additional strength and combats brinelling into the core material.

The Result:

- No direct "hammering" forces on the intersections of the raceways
- Vastly reduced raceway wear
- Elimination of the "pull apart" forces of stress in the swivel section
- Smoother swiveling action
- High maneuverability
- Longer service life
- Less maintenance
- Extra impact resistance
- High radial force absorption



Optional Mounting Plates

Optional Top Plate Number	Mounting Plate	Bolt Hole Spacing	Bolt Size
90ST*	6" x 7"	4-5/8" x 5-1/2" slotted to 4-3/8" x 5-5/8"	1/2"
90RT	6" x 7"	4-5/8" x 5-1/2" slotted to 4-3/8" x 5-5/8"	1/2"
95ST*	6" x 7-1/2"	4-1/2" x 6" slotted to 4-1/8" x 6-1/8"	1/2"
95RT	6" x 7-1/2"	4-1/2" x 6" slotted to 4-1/8" x 6-1/8"	1/2"
75ST**	4-1/2" x 6- 1/2"	2-7/16" x 4-15/16" slotted to 3-3/8" x 5-1/4"	1/2"
75RT	4-1/2" x 6- 1/2"	2-7/16" x 4-15/16" slotted to 3-3/8" x 5-1/4"	1/2"

* Add 1/8" OAH when using this top plate

** Subtract 1/16" OAH when using this top plate

Specifications

Wheel Diameter	Wheel Width	Wheel Type	lbs. Capacity	Overall Height	Straight Roller Bearing	Ball Bearing	Tapered Roller Bearing	Swivel Lead	Approx Weight
5"	2-1/2"	Cast Iron	2000	7"	76-CIR-0525-S		76-CIT-0525-S	2"	18.0
6"	2-1/2"	Cast Iron	1800	8"	76-CIR-0625-S		76-CIT-0625-S	2-1/4"	17.0
6"	2-1/2"	Durastan	1600	8"	76-DUR-0625-S			2-1/4"	11.5
6"	2-1/2"	Forged Steel	5000	8"	76-FSR-0625-S		76-FST-0625-S	2-1/4"	20.5
6"	2-1/2"	GT	2300	8"		76-GTB-0625-S		2-1/4"	11.5

6"	2-1/2"	Rubber on Iron-EHT	810	8"	76-RIR-0625-S-EHT	76-RIT-0625-S-EHT	2-1/4"	16.5	
6"	2-1/2"	Urethane on Iron	1620	8"	76-UIR-0625-S	76-UIT-0625-S	2-1/4"	16.5	
6"	2-1/2"	V-Groove Iron	2500	8"	76-VIR-0625-S	76-VIT-0625-S	2-1/4"	16.5	
6"	2-1/2"	Rubber on Iron	670	8"	76-RIR-0625-S		2-1/4"	16.5	
6"	3"	Cast Iron	3000	8"	76-CIR-0630-S	76-CIT-0630-S	2-1/4"	18.5	
6"	3"	Durastan	2000	8"	76-DUR-0630-S		2-1/4"	12.5	
6"	3"	Forged Steel	7000	8"	76-FSR-0630-S	76-FST-0630-S	2-1/4"	31.0	
6"	3"	Nylatron HD	7000	8"		76-NYB-0630-S	2-1/4"	12.5	
6"	3"	Rubber on Iron-EHT	1080	8"	76-RIR-0630-S-EHT	76-RIT-0630-S-EHT	2-1/4"	17.5	
6"	3"	Urethane on Iron	2000	8"	76-UIR-0630-S	76-UIT-0630-S	2-1/4"	17.5	
6"	3"	V-Groove Forged	7000	8"	76-VFR-0630-S	76-VFT-0630-S	2-1/4"	30.0	
6"	3"	Rubber on Iron	680	8"	76-RIR-0630-S		2-1/4"	17.5	
8"	2-1/2"	Cast Iron	2000	10-1/2"	76-CIR-0825-S	76-CIT-0825-S	2-15/16"	23.0	
8"	2-1/2"	Durastan	2000	10-1/2"	76-DUR-0825-S		2-15/16"	15.0	
8"	2-1/2"	Forged Steel	4500	10-1/2"	76-FSR-0825-S	76-FST-0825-S	2-15/16"	25.5	
8"	2-1/2"	GT	2400	10-1/2"		76-GTB-0825-S	2-15/16"	15.0	
8"	2-1/2"	Rubber on Iron-EHT	1005	10-1/2"	76-RIR-0825-S-EHT	76-RIT-0825-S-EHT	2-15/16"	18.5	
8"	2-1/2"	Urethane on Iron	2000	10-1/2"	76-UIR-0825-S	76-UIT-0825-S	2-15/16"	18.5	
8"	2-1/2"	V-Groove Iron	3000	10-1/2"	76-VIR-0825-S	76-VIT-0825-S	2-15/16"	27.0	
8"	2-1/2"	Rubber on Iron	670	10-1/2"	76-RIR-0825-S		2-15/16"	18.5	
8"	3"	Cast Iron	3000	10-1/2"	76-CIR-0830-S	76-CIT-0830-S	2-15/16"	26.0	
8"	3"	Durastan	2500	10-1/2"	76-DUR-0830-S		2-15/16"	16.5	
8"	3"	Forged Steel	5500	10-1/2"	76-FSR-0830-S	76-FST-0830-S	2-15/16"	26.0	
8"	3"	Infinity	4000	10-1/2"		76-UIB-0830-S-INF	2-15/16"	20.0	
8"	3"	Nylatron HD	7000	10-1/2"		76-NYB-0830-S	2-15/16"	16.0	
8"	3"	Omega	1600	10-1/2"	76-UOR-0830-S	76-UOB-0830-S	76-UOT-0830-S	2-15/16"	19.0
8"	3"	Rubber on Iron-EHT	1680	10-1/2"	76-RIR-0830-S-EHT	76-RIT-0830-S-EHT	2-15/16"	19.5	
8"	3"	Urethane on Iron	2500	10-1/2"	76-UIR-0830-S	76-UIT-0830-S	2-15/16"	19.5	
8"	3"	V-Groove Iron	5000	10-1/2"	76-VIR-0830-S	76-VIT-0830-S	2-15/16"	26.0	
8"	3"	V-Groove Forged	6000	10-1/2"	76-VFR-0830-S	76-VFT-0830-S	2-15/16"	36.0	
8"	3"	Rubber on Iron	840	10-1/2"	76-RIR-0830-S		2-15/16"	19.5	
10"	2-1/2"	Cast Iron	2500	12-1/2"	76-CIR-1025-S	76-CIT-1025-S	3-3/8"	25.5	
10"	2-1/2"	Durastan	2500	12-1/2"	76-DUR-1025-S		3-3/8"	16.5	
10"	2-1/2"	Rubber on Iron-EHT	1185	12-1/2"	76-RIR-1025-S-EHT	76-RIT-1025-S-EHT	3-3/8"	21.5	
10"	2-1/2"	Urethane on Iron	2370	12-1/2"	76-UIR-1025-S	76-UIT-1025-S	3-3/8"	21.5	
10"	2-1/2"	Rubber on Iron	790	12-1/2"	76-RIR-1025-S		3-3/8"	21.5	
10"	3"	Cast Iron	4000	12-1/2"	76-CIR-1030-S	76-CIT-1030-S	3-3/8"	23.0	
10"	3"	Durastan	2900	12-1/2"	76-DUR-1030-S		3-3/8"	20.0	
10"	3"	Forged Steel	6000	12-1/2"	76-FSR-1030-S	76-FST-1030-S	3-3/8"	41.0	
10"	3"	GT	3400	12-1/2"		76-GTB-1030-S	3-3/8"	20.0	
10"	3"	Infinity	5000	12-1/2"		76-UIB-1030-S-INF	3-3/8"	23.0	
10"	3"	Nylatron HD	7000	12-1/2"		76-NYB-1030-S	3-3/8"	21.0	
10"	3"	Omega	2000	12-1/2"	76-UOR-1030-S	76-UOB-1030-S	76-UOT-1030-S	3-3/8"	22.0
10"	3"	Rubber on Aluminum-EHT	2000	12-1/2"		76-RAB-1030-S-EHT	76-RAT-1030-S-EHT	3-3/8"	20.3
10"	3"	Rubber on Iron-EHT	2000	12-1/2"	76-RIR-1030-S-EHT	76-RIT-1030-S-EHT	3-3/8"	22.5	
10"	3"	Urethane on Iron	3000	12-1/2"	76-UIR-1030-S	76-UIT-1030-S	3-3/8"	22.5	
10"	3"	Ultra Thick Urethane	3400	12-1/2"	76-UTR-1030-S	76-UTT-1030-S	3-3/8"	26.0	
10"	3"	V-Groove Forged	6000	12-1/2"	76-VFR-1030-S	76-VFT-1030-S	3-3/8"	48.0	
10"	3"	V-Groove Iron	5000	12-1/2"	76-VIR-1030-S	76-VIT-1030-S	3-3/8"	23.0	
10"	3"	Rubber on Iron	1000	12-1/2"	76-RIR-1030-S		3-3/8"	22.5	
12"	2-1/2"	Durastan	3000	15-1/2"	76-DUR-1225-S		4-5/16"	20.5	
12"	2-1/2"	Rubber on Iron	900	15-1/2"	76-RIR-1225-S	76-RIT-1225-S	4-5/16"	23.5	
12"	2-1/2"	Urethane on Iron	2700	15-1/2"	76-UIR-1225-S		4-5/16"	23.5	
12"	3"	Cast Iron	5000	15-1/2"	76-CIR-1230-S	76-CIT-1230-S	4-5/16"	32.0	
12"	3"	Nylatron HD	7000	15-1/2"		76-NYB-1230-S	4-5/16"	26.0	
12"	3"	Durastan	3500	15-1/2"	76-DUR-1230-S		4-5/16"	22.5	

12"	3"	Rubber on Aluminum-EHT	2280	15-1/2"		76- RAB -1230-S-EHT	76- RAT -1230-S-EHT	4-5/16"	24.5
12"	3"	Rubber on Iron-EHT	2280	15-1/2"		76- RIR -1230-S-EHT	76- RIT -1230-S-EHT	4-5/16"	26.5
12"	3"	Urethane on Iron	3400	15-1/2"		76- UIR -1230-S	76- UIT -1230-S	4-5/16"	26.5
12"	3"	Ultra Thick Urethane	4100	15-1/2"		76- UTR -1230-S	76- UTT -1230-S	4-5/16"	29.0
12"	3"	V-Groove Iron	6000	15-1/2"		76- VIR -1230-S	76- VIT -1230-S	4-5/16"	43.0
12"	3"	Rubber on Iron	1140	15-1/2"		76- RIR -1230-S	76- RIT -1230-S	4-5/16"	26.5

To order a rigid caster, Dimensions shown are change the "S" to "R" in the model number. For example: "76-CIR-1230-R". To order a rig only, omit the blue letters. For example: "76-1230-S". nominal. If precise dimensions are required, consult your RWM representative. For approximate weight of our rigid casters, deduct 3.9 pounds.

- * Add 1/8" OAH when using this top plate
- ** Subtract 1/16" OAH when using this top plate