



1225 Isley Road, Gastonia, NC 28052
Phone: [800-634-7704](tel:800-634-7704) Fax:
800-253-6634
www.rwmcasters.com

S65 Stainless Steel Casters

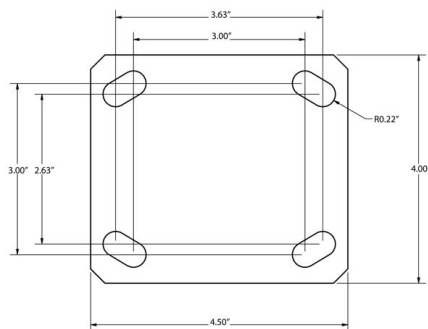
Medium Heavy Duty Industrial Casters

RWM Caster's S65 Stainless Steel Casters are ideally suited for frequent washdown applications. This industrial strength caster can handle cleaning agents, steam, caustic solutions or other corrosive agents that can cause rust or corrosion. These industrial casters are proudly made in the USA. The S65 Stainless Steel kingpinless casters are constructed of high quality 304 stainless steel for the best possible corrosion performance attributes.

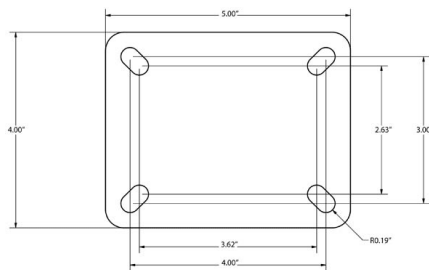


S65-GTB-0620-S-EP

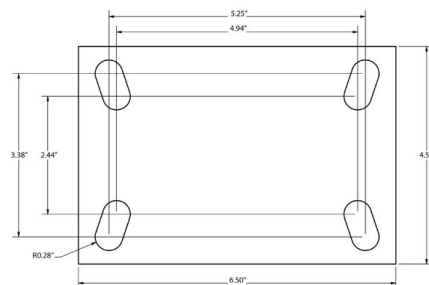
Top Plates



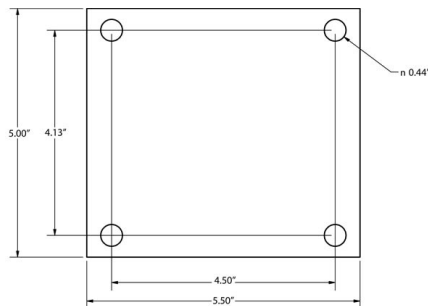
Standard Swivel Top Plate



Optional 41ST/41RT



Optional 42ST/42RT

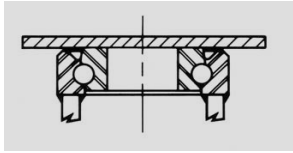


Optional 43ST/43RT

Swivel Sections and Cross Sections

KINGPINLESS™ CASTER SWIVEL SECTION

Raceway Diameter



Features

Raceway Design: Patented Kingpinless™ single ball bearing precision machined raceway. 2-3/8" diameter raceway with 3/8" stainless ball bearings.

Capacity: 1200 lbs.

Axle: 1/2" bolt with locking nut

Leg Thickness: 3/16"

Wheels: Wheels are available with either a straight roller bearing, an annular ball bearing for ease of rollability, or a celcon bearing

Mounting Plate Size: 4" x 4-1/2" x 1/4"

Bolt Hole Spacing: 2-5/8" x 3-5/8" slotted to 3" x 3"

Mounting Bolt Diameter: 3/8"

Applications

RWM's Stainless Steel Casters feature surgical grade 304 stainless steel that is highly resistant to conditions that would normally corrode and rust regular zinc plated steel casters. Our Stainless Steel Casters are ideal for wet or damp conditions and harsh environments that may rust or corrode standard zinc casters. These casters are well suited for rugged duty and are designed for wash-down applications such as food processing plants, food service equipment, large volume high temperature bakery and food cooking facilities, bakery and bread racks, slaughter houses, fisheries, seafood processing plants, stock and maintenance carts, ingredient bins, institutional service carts and equipment, hatcheries, pharmaceutical plants and laboratories.

Options

DSL: Demountable Swivel Lock STD TP Only

SCWB: Stainless Steel Cam Wheel Brake

SICWB: Stainless Installable Face Contact Brake (4" and 5" only)

SL: Swivel Lock

SR: Sealed Swivel Raceway

SSBB: Stainless Steel Ball Bearing

SSRB: Stainless Steel Roller Bearing

WB: Stainless Side Wheel Brake (Roller Bearing Only)

WTHB: Stainless Welded T-Handle Brake

EP: Electropolished Finish

Optional Mounting Plates

| Optional Top Plate Number | Mounting Plate | Bolt Hole Spacing | Bolt Size |
|---------------------------|-----------------|---|-----------|
| 41ST | 4" x 5" | 2-5/8" x 3-5/8" slotted to 3" x 4" | 3/8" |
| 41RT | 4" x 5" | 2-5/8" x 3-5/8" slotted to 3" x 4" | 3/8" |
| 42ST | 4-1/2" x 6-1/2" | 2-7/16" x 4-15/16" slotted to 3-3/8" x 5-1/4" | 1/2" |
| 42RT | 4-1/2" x 6-1/2" | 2-7/16" x 4-15/16" slotted to 3-3/8" x 5-1/4" | 1/2" |
| 43ST | 5" x 5-1/2" | 4-1/8" x 4-1/2" | 3/8" |

43RT

5" x 5-1/2"

4-1/8" x 4-1/2"

3/8"

Optional Overall Heights

| Wheel Diameter | Overall Height |
|----------------|----------------|
| 4" | 5-9/16" |
| 5" | 6-11/16" |
| 6" | 7-5/8" |
| 8" | 9-1/2" |

Specifications

| Wheel Diameter | Wheel Width | Wheel Type | lbs. Capacity | Overall Height | Straight Roller Bearing | Ball Bearing | Plain, Oilite, Celcon Bearing | Swivel Lead | Approx Weight |
|----------------|-------------|------------------------|---------------|----------------|-------------------------|--------------------|-------------------------------|-------------|---------------|
| 4" | 2" | Durastan | 800 | 5-5/8" | S65-DUR-0420-S | S65-DUB-0420-S | S65-DUC-0420-S | 1-1/4" | 8 |
| 4" | 2" | GT | 1050 | 5-5/8" | | S65-GTB-0420-S | | 1-1/4" | 8 |
| 4" | 2" | High Temp. Nylon | 800 | 5-5/8" | S65-HNR-0420-S | | | 1-1/4" | 8 |
| 4" | 2" | Performance TPR | 350 | 5-5/8" | S65-RPR-0420-S | S65-RPB-0420-S | S65-RPC-0420-S | 1-1/4" | 7.3 |
| 4" | 2" | Polyolefin | 500 | 5-5/8" | S65-POR-0420-S | S65-POB-0420-S | S65-POC-0420-S | 1-1/4" | 7.6 |
| 4" | 2" | Rubber on Aluminum-EHT | 700 | 5-5/8" | | S65-RAB-0420-S-EHT | | 1-1/4" | 8 |
| 4" | 2" | Solid Urethane | 700 | 5-5/8" | | S65-MUB-0420-S | | 1-1/4" | 8 |
| 4" | 2" | Signature | 400 | 5-5/8" | | S65-SWB-0420-S | | 1-1/4" | 7.0 |
| 4" | 2" | Urethane on Aluminum | 700 | 5-5/8" | S65-UAR-0420-S | | S65-UAC-0420-S | 1-1/4" | 7.5 |
| 4" | 2" | Urethane on Iron | 700 | 5-5/8" | S65-UIR-0420-S | S65-UIB-0420-S | S65-UIC-0420-S | 1-1/4" | 8 |
| 4" | 2" | Urethane Polypropylene | 600 | 5-5/8" | S65-UPR-0420-S | S65-UPB-0420-S | S65-UPC-0420-S | 1-1/4" | 7.3 |
| 5" | 2" | Durastan | 1000 | 6-1/2" | S65-DUR-0520-S | S65-DUB-0520-S | S65-DUC-0520-S | 1-7/16" | 9 |
| 5" | 2" | GT | 1200 | 6-1/2" | | S65-GTB-0520-S | | 1-7/16" | 9 |
| 5" | 2" | High Temp Nylon | 1000 | 6-1/2" | S65-HNR-0520-S | | | 1-7/16" | 9 |
| 5" | 2" | Performance TPR | 375 | 6-1/2" | S65-RPR-0520-S | S65-RPB-0520-S | S65-RPC-0520-S | 1-7/16" | 7.3 |
| 5" | 2" | Polyolefin | 650 | 6-1/2" | S65-POR-0520-S | S65-POB-0520-S | S65-POC-0520-S | 1-7/16" | 8.7 |
| 5" | 2" | Rubber on Aluminum-EHT | 800 | 6-1/2" | | S65-RAB-0520-S-EHT | | 1-7/16" | 8.6 |
| 5" | 2" | Solid Urethane | 1000 | 6-1/2" | | S65-MUB-0520-S | | 1-7/16" | 9 |
| 5" | 2" | Signature | 500 | 6-1/2" | | S65-SWB-0520-S | | 1-7/16" | 8.0 |
| 5" | 2" | Urethane on Aluminum | 1050 | 6-1/2" | S65-UAR-0520-S | | S65-UAC-0520-S | 1-7/16" | 8.5 |
| 5" | 2" | Urethane on Iron | 1050 | 6-1/2" | S65-UIR-0520-S | S65-UIB-0520-S | S65-UIC-0520-S | 1-7/16" | 9 |
| 5" | 2" | Urethane Polypropylene | 750 | 6-1/2" | S65-UPR-0520-S | S65-UPB-0520-S | S65-UPC-0520-S | 1-7/16" | 7.3 |
| 6" | 2" | Durastan | 1200 | 7-1/2" | S65-DUR-0620-S | | S65-DUC-0620-S | 1-5/8" | 10 |
| 6" | 2" | GT | 1200 | 7-1/2" | | S65-GTB-0620-S | | 1-5/8" | 10 |
| 6" | 2" | High Temp. Nylon | 1200 | 7-1/2" | S65-HNR-0620-S | S65-HNB-0620-S | | 1-5/8" | 10 |
| 6" | 2" | Omega | 1000 | 7-1/2" | S65-UOR-0620-S | S65-UOB-0620-S | S65-UOC-0620-S | 1-5/8" | 12 |
| 6" | 2" | Performance TPR | 525 | 7-1/2" | S65-RPR-0620-S | S65-RPB-0620-S | S65-RPC-0620-S | 1-5/8" | 7.7 |
| 6" | 2" | Polyolefin | 700 | 7-1/2" | S65-POR-0620-S | S65-POB-0620-S | S65-POC-0620-S | 1-5/8" | 8.7 |
| 6" | 2" | Rubber on Aluminum-EHT | 820 | 7-1/2" | | S65-RAB-0620-S-EHT | | 1-5/8" | 10 |
| 6" | 2" | Solid Urethane | 1200 | 7-1/2" | | S65-MUB-0620-S | | 1-5/8" | 10 |
| 6" | 2" | Signature | 600 | 7-1/2" | | S65-SWB-0620-S | | 1-5/8" | 9.0 |
| 6" | 2" | Urethane on Aluminum | 1200 | 7-1/2" | S65-UAR-0620-S | | S65-UAC-0620-S | 1-5/8" | 11 |
| 6" | 2" | Urethane on Iron | 1200 | 7-1/2" | S65-UIR-0620-S | S65-UIB-0620-S | S65-UIC-0620-S | 1-5/8" | 12 |
| 6" | 2" | Urethane Polypropylene | 900 | 7-1/2" | S65-UPR-0620-S | S65-UPB-0620-S | S65-UPC-0620-S | 1-5/8" | 7.7 |
| 8" | 2" | Durastan | 1200 | 10-1/8" | S65-DUR-0820-S | S65-DUB-0820-S | S65-DUC-0820-S | 2-3/8" | 11 |
| 8" | 2" | GT | 1200 | 10-1/8" | | S65-GTB-0820-S | | 2-3/8" | 11 |
| 8" | 2" | Omega | 1200 | 10-1/8" | S65-UOR-0820-S | S65-UOB-0820-S | S65-UOC-0820-S | 2-3/8" | 13 |
| 8" | 2" | Performance TPR | 600 | 10-1/8" | S65-RPR-0820-S | S65-RPB-0820-S | S65-RPC-0820-S | 2-3/8" | 8.1 |
| 8" | 2" | Polyolefin | 800 | 10-1/8" | S65-POR-0820-S | S65-POB-0820-S | S65-POC-0820-S | 2-3/8" | 9.1 |
| 8" | 2" | Rubber on Aluminum-EHT | 1000 | 10-1/8" | | S65-RAB-0820-S-EHT | | 2-3/8" | 11 |

| | | | | | | | | | |
|----|----|------------------------|------|---------|-------------------------|-------------------------|-------------------------|--------|------|
| 8" | 2" | Solid Urethane | 1200 | 10-1/8" | | S65- MUB -0820-S | | 2-3/8" | 11 |
| 8" | 2" | Signature | 700 | 10-1/8" | | S65- SWB -0820-S | | 2-3/8" | 10.0 |
| 8" | 2" | Urethane on Aluminum | 1200 | 10-1/8" | S65- UAR -0820-S | | S65- UAC -0820-S | 2-3/8" | 12 |
| 8" | 2" | Urethane on Iron | 1200 | 10-1/8" | S65- UIR -0820-S | S65- UIB -0820-S | S65- UIC -0820-S | 2-3/8" | 13 |
| 8" | 2" | Urethane Polypropylene | 1000 | 10-1/8" | S65- UPR -0820-S | S65- UPB -0820-S | S65- UPC -0820-S | 2-3/8" | 9.1 |

To order a rigid caster, change the "S" to "R" in the model number. For example: "S65-GTB-0420-R". To order a rig only, omit the blue letters. For example: "S65-0420-S". Dimensions shown are nominal. If precise dimensions are required, consult your RWM representative. For approximate weight of our rigid caster, deduct 5.4 pounds.