



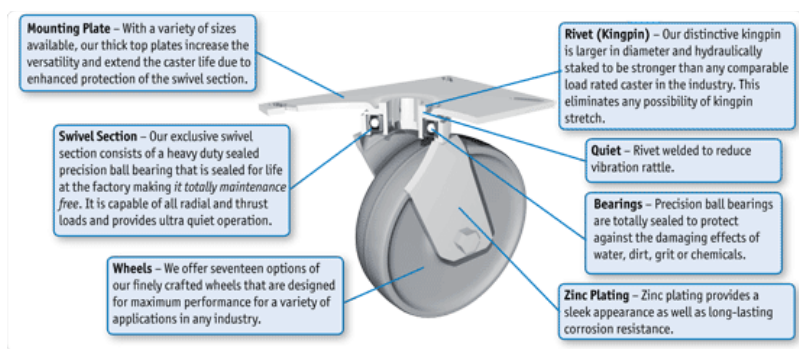
1225 Isley Road, Gastonia, NC 28052
 Phone: [800-634-7704](tel:800-634-7704) Fax: 800-253-6634
www.rwmcasters.com

Freedom 48 Series

Medium Duty Maintenance Free Casters



RWM Casters 48 Series swivel section is sealed for life, making it completely maintenance free. It is capable of all radial and thrust loads and offers ultra quiet operation. This ergonomic caster is designed for ease of movement and noise reduction in nearly any industrial caster application. Our 48 Series medium duty caster is Made in the USA! Log in below to download free 2D or 3D CAD drawings and models of this caster.

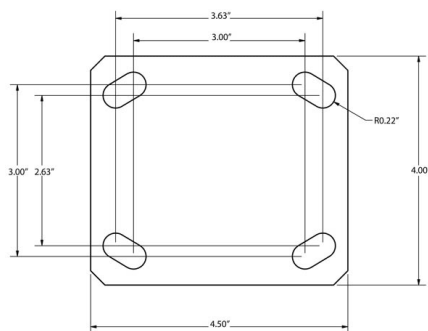


48-GTB-0820-S

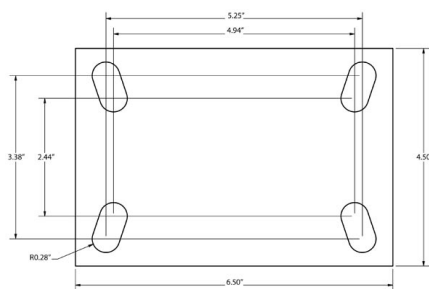


48-SWB-0620-R

Top Plates



Standard Top Plate



Optional 42ST/42RT

Features

Swivel Section: Sealed precision swivel bearing
Capacity: 1500 lbs.
Axle: 1/2" diameter
Finish: Zinc plated to protect against corrosion
Mounting Plate Size: 4" x 4-1/2" x 1/4"
Bolt Hole Spacing: 2-5/8" x 3-5/8" slotted to 3" x 3"
Mounting Bolt Diameter: 3/8"

Applications

The 48 Series is available with a variety of top plates, leg lengths, wheel and brake options. The Maintenance Free Freedom 48 Series is the perfect solution for almost any caster application including:

- dollies
- waste disposal trucks
- warehouse trucks
- floor trucks
- shop carts
- automotive
- assembly lines
- retail
- towline applications
- hotel/motel/casino applications
- beer applications
- beverage applications
- vending applications
- medical applications

Options

DSL: Demountable Swivel Lock-When ordering the Demountable Swivel Lock (DSL), you must also order the Notched Yoke (NY).

ICWB: Installable Face Contact Brake

NY: Notched Yoke

SL: Swivel Lock

WB: Side Wheel Brake (roller bearing only)

WS: Wheel Seals

WWB: Wrap Around Wheel Brake (roller bearing only)

FIFG: Field Installable Foot Guard

FG: Food Guard

MICWB: Metal Installable Cam Wheel Brake

Optional Mounting Plates

Optional Top Plate Number	Mounting Plate	Bolt Hole Spacing	Bolt Size
42ST	4-1/2" x 6-1/2"	2-7/16" x 4-15/16" slotted to 3-3/8" x 5-1/4"	1/2"
42RT	4-1/2" x 6-1/2"	2-7/16" x 4-15/16" slotted to 3-3/8" x 5-1/4"	1/2"

* Must order Sealed Precision Ball Bearing equipped wheels to be completely maintenance free.

Specifications

Wheel Diameter	Wheel Width	Wheel Type	Capacity	Overall Height	Straight Roller Bearing	Ball Bearing	Plain, Oilite, Celcon Bearing	Swivel Lead	Approx Weight
4"	2"	Cast Iron	800	5-5/8"	48- CIR -0420-S	48- CIB -0420-S	48- CIC -0420-S	1-3/16"	10
4"	2"	Durastan	800	5-5/8"	48- DUR -0420-S	48- DUB -0420-S	48- DUC -0420-S	1-3/16"	8
4"	2"	High Temp. Nylon	800	5-5/8"	48- HNR -0420-S			1-3/16"	8
4"	2"	GT	1050	5-5/8"		48- GTB -0420-S		1-3/16"	7
4"	2"	Nylatron HD	1500	5-5/8"		48- NYB -0420-S		1-3/16"	7.5
4"	2"	Performance TPR	350	5-5/8"	48- RPR -0420-S	48- RPB -0420-S	48- RPC -0420-S	1-3/16"	8
4"	2"	Polyolefin	500	5-5/8"	48- POR -0420-S	48- POB -0420-S	48- POC -0420-S	1-3/16"	7.6
4"	2"	Rubber On Aluminum	700	5-5/8"		48- RAB -0420-S-EHT		1-3/16"	8
4"	2"	Rubber On Iron	350	5-5/8"	48- RIR -0420-S		48- RIC -0420-S	1-3/16"	8
4"	2"	Solid Urethane	700	5-5/8"		48- MUB -0420-S		1-3/16"	5.9
4"	2"	Urethane On Aluminum	700	5-5/8"	48- UAR -0420-S		48- UAC -0420-S	1-3/16"	7.5

4"	2"	Urethane On Iron	700	5-5/8"	48- UIR -0420-S		48- UIC -0420-S	1-3/16"	8
4"	2"	Urethane Polypropylene	600	5-5/8"	48- UPR -0420-S	48- UPB -0420-S	48- UPC -0420-S	1-3/16"	7.3
4"	2"	V-Groove Iron	800	5-5/8"	48- VIR -0420-S		48- VIC -0420-S	1-3/16"	10
4"	2"	Signature	400	5-5/8"	48- SWR -0420-S	48- SWB -0420-S	48- SWC -0420-S	1-3/16"	5.9
4"	2"	Pinnacle	800	5-5/8"	48- PNR -0420-S	48- PNB -0420-S	48- PNC -0420-S	1-3/16"	5.7
5"	2"	Cast Iron	1000	6-1/2"	48- CIR -0520-S	48- CIB -0520-S	48- CIC -0520-S	1-3/8"	12
5"	2"	Durastan	1000	6-1/2"	48- DUR -0520-S	48- DUB -0520-S	48- DUC -0520-S	1-3/8"	9
5"	2"	Forged Steel	1500	6-1/2"	48- FSR -0520-S		48- FSC -0520-S	1-3/8"	12
5"	2"	High Temp. Nylon	1000	6-1/2"	48- HNR -0520-S			1-3/8"	9
5"	2"	GT	1200	6-1/2"		48- GTB -0520-S		1-3/8"	8
5"	2"	Nylatron HD	1500	6-1/2"		48- NYB -0520-S		1-3/8"	8.5
5"	2"	Performance TPR	375	6-1/2"	48- RPR -0520-S	48- RPB -0520-S	48- RPC -0520-S	1-3/8"	9
5"	2"	Polyolefin	650	6-1/2"	48- POR -0520-S	48- POB -0520-S	48- POC -0520-S	1-3/8"	8.7
5"	2"	Rubber On Aluminum	800	6-1/2"		48- RAB -0520-S-EHT		1-3/8"	8.6
5"	2"	Rubber On Iron	400	6-1/2"	48- RIR -0520-S		48- RIC -0520-S	1-3/8"	9
5"	2"	Solid Urethane	1000	6-1/2"		48- MUB -0520-S		1-3/8"	6.1
5"	2"	Urethane On Aluminum	1050	6-1/2"	48- UAR -0520-S		48- UAC -0520-S	1-3/8"	8.5
5"	2"	Urethane On Iron	1050	6-1/2"	48- UIR -0520-S		48- UIC -0520-S	1-3/8"	9
5"	2"	Urethane Polypropylene	750	6-1/2"	48- UPR -0520-S	48- UPB -0520-S	48- UPC -0520-S	1-3/8"	7.3
5"	2"	V-Groove Iron	800	6-1/2"	48- VIR -0520-S		48- VIC -0520-S	1-3/8"	12
5"	2"	Signature	500	6-1/2"	48- SWR -0520-S	48- SWB -0520-S	48- SWC -0520-S	1-3/8"	6.1
5"	2"	Pinnacle	1000	6-1/2"	48- PNR -0520-S	48- PNB -0520-S	48- PNC -0520-S	1-3/8"	5.9
6"	2"	Cast Iron	1200	7-1/2"	48- CIR -0620-S	48- CIB -0620-S	48- CIC -0620-S	1-9/16"	13
6"	2"	Durastan	1200	7-1/2"	48- DUR -0620-S	48- DUB -0620-S	48- DUC -0620-S	1-9/16"	10
6"	2"	Forged Steel	1500	7-1/2"	48- FSR -0620-S		48- FSC -0620-S	1-9/16"	13
6"	2"	High Temp. Nylon	1200	7-1/2"	48- HNR -0620-S			1-9/16"	10
6"	2"	GT	1500	7-1/2"		48- GTB -0620-S		1-9/16"	10
6"	2"	Omega	1000	7-1/2"	48- UOR -0620-S	48- UOB -0620-S		1-9/16"	12
6"	2"	Performance TPR	525	7-1/2"	48- RPR -0620-S	48- RPB -0620-S	48- RPC -0620-S	1-9/16"	10
6"	2"	Polyolefin	700	7-1/2"	48- POR -0620-S	48- POB -0620-S	48- POC -0620-S	1-9/16"	8.7
6"	2"	Rubber On Aluminum	820	7-1/2"		48- RAB -0620-S-EHT		1-9/16"	10
6"	2"	Rubber On Iron	410	7-1/2"	48- RIR -0620-S		48- RIC -0620-S	1-9/16"	10
6"	2"	Solid Urethane	1200	7-1/2"		48- MUB -0620-S		1-9/16"	6.8
6"	2"	Urethane On Aluminum	1230	7-1/2"	48- UAR -0620-S		48- UAC -0620-S	1-9/16"	11
6"	2"	Urethane On Iron	1230	7-1/2"	48- UIR -0620-S		48- UIC -0620-S	1-9/16"	12
6"	2"	Urethane Polypropylene	900	7-1/2"	48- UPR -0620-S	48- UPB -0620-S	48- UPC -0620-S	1-9/16"	7.7
6"	2"	V-Groove Iron	1000	7-1/2"	48- VIR -0620-S		48- VIC -0620-S	1-9/16"	13
6"	2"	Signature	600	7-1/2"	48- SWR -0620-S	48- SWB -0620-S	48- SWC -0620-S	1-9/16"	6.8
6"	2"	Pinnacle	1200	7-1/2"	48- PNR -0620-S	48- PNB -0620-S	48- PNC -0620-S	1-9/16"	6.5
6"	2"	Torus	1230	7-1/2"		48- UAB -0621-S		1-9/16"	11
8"	2"	Cast Iron	1400	9-1/2"	48- CIR -0820-S	48- CIB -0820-S	48- CIC -0820-S	2"	16
8"	2"	Durastan	1400	9-1/2"	48- DUR -0820-S	48- DUB -0820-S	48- DUC -0820-S	2"	11
8"	2"	GT	1500	9-1/2"		48- GTB -0820-S		2"	14
8"	2"	Omega	1200	9-1/2"	48- UOR -0820-S	48- UOB -0820-S		2"	13
8"	2"	Performance TPR	600	9-1/2"	48- RPR -0820-S	48- RPB -0820-S	48- RPC -0820-S	2"	11
8"	2"	Polyolefin	800	9-1/2"	48- POR -0820-S	48- POB -0820-S	48- POC -0820-S	2"	9.1
8"	2"	Rubber On Aluminum	1000	9-1/2"		48- RAB -0820-S-EHT		2"	11
8"	2"	Rubber On Iron	500	9-1/2"	48- RIR -0820-S		48- RIC -0820-S	2"	11
8"	2"	Solid Urethane	1500	9-1/2"		48- MUB -0820-S		2"	7.4
8"	2"	Urethane On Aluminum	1500	9-1/2"	48- UAR -0820-S		48- UAC -0820-S	2"	12
8"	2"	Urethane On Iron	1500	9-1/2"	48- UIR -0820-S		48- UIC -0820-S	2"	13
8"	2"	Urethane Polypropylene	1000	9-1/2"	48- UPR -0820-S	48- UPB -0820-S	48- UPC -0820-S	2"	9.1
8"	2"	V-Groove Iron	1050	9-1/2"	48- VIR -0820-S		48- VIC -0820-S	2"	16
8"	2"	Signature	700	9-1/2"	48- SWR -0820-S	48- SWB -0820-S	48- SWC -0820-S	2"	7.4
8"	2"	Pinnacle	1400	9-1/2"	48- PNR -0820-S	48- PNB -0820-S	48- PNC -0820-S	2"	7

8"

2"

Torus

1500

9-1/2"

48-**UAB**-0821-S

2"

12.2

To order a rigid caster, change the "S" to "R" in the model number in the chart on the next page. For example: "48-CIR-0620-R". To order a rig only, omit the blue letters. For example: "48-0620-S". Dimensions shown are nominal. If precise dimensions are required, consult your RWM representative. For approximate weight of our rigid casters, deduct 0.9 pounds per item.

* Must order Sealed Precision Ball Bearing equipped wheels to be completely maintenance free.