



1225 Isley Road, Gastonia, NC 28052
Phone: [800-634-7704](tel:800-634-7704) Fax: 800-253-6634
www.rwmcasters.com

46 Series Casters

Medium Heavy Duty Industrial Casters



The 46 Series Casters are designed for medium heavy duty industrial caster applications.



46-GTB-0620-S



46-GTB-0620-FCNB



46-PNR-0620-S-DSL

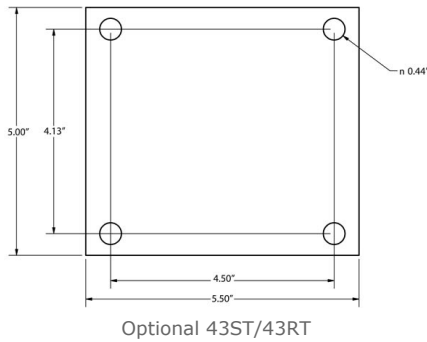
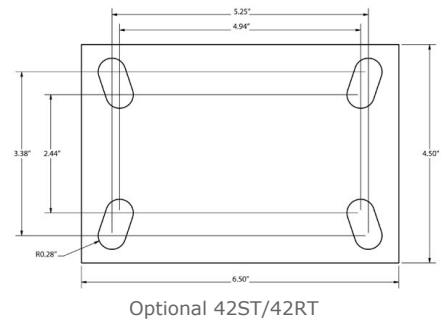
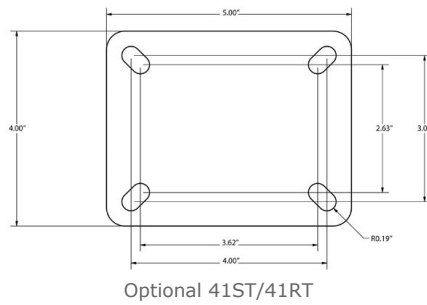
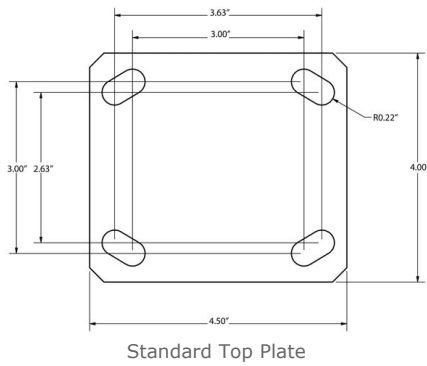


46-UIB-0620-S-FCSTLB



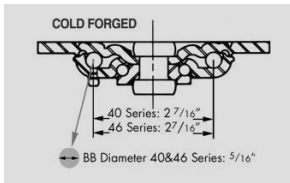
46-SWB-0620-R

Top Plates

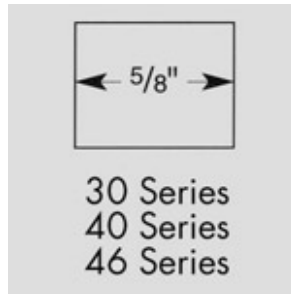


Swivel Sections and Cross Sections

Swivel Cross Section



Rivet Cross Section



Features

Swivel Section: Cold formed top plate, yoke and button are all heat treated to prevent brinelling, improve swivel action and increase service life. Load and thrust bearings are hardened and ground and rotate on hardened raceways. Top plate and legs are 1/4" steel, legs formed for increased strength and inside and out continuously welded to yoke. All swivel sections are equipped with a lubrication fitting for field maintenance. RWM lubricates all swivel sections prior to shipment. Notched yokes are standard.

Capacity: 1200 lbs.

Kingpin: 5/8" diameter rivet hydraulically compressed to increase strength of swivel section as compared to staking

Axle: 1/2" diameter drilled axle with lubrication fitting provided on all casters to improve ease of lubrication

Finish: Zinc plated to protect from corrosion

Wheels: A wide variety of 3-1/4" through 8" diameters available with either roller, ball bearing, celcon or plain bearings.

Mounting Plate Size: 4" x 4-1/2" x 1/4"

Bolt Hole Spacing: 2-5/8" x 3-5/8" slotted to 3" x 3"

Mounting Bolt Diameter: 3/8"

Applications

Medium Heavy-Duty Casters are the backbone of Material Handling Industry. Nearly every warehouse, freight terminal, manufacturing plant and industrial business use these types of casters in their operations. They are ideal for platform trucks, material handling carts, vending machines, warehouse and factory applications, heavy-duty foodservice and institutional equipment, tool boxes, stock carts, shelf trucks, ground support equipment, bakery carts, a-frame trucks, assembly line dollies, maintenance carts, mobile storage racks and countless other medium duty applications.

Options

DSL: Demountable Swivel Lock
HT: High Temperature Lubrication
ICWB: Installable Face Contact Brake
LT: Low Temperature Lubrication
KB: Nut and Bolt Kingpin
SL: Swivel Lock
SR: Sealed Swivel Raceway
TG: Thread Guards
WB: Field Installable Side Wheel Brake on 4" and larger (Roller Bearings Only)
WS: Wheel Seals
FOSL: Foot Operated Swivel Lock
FCNB: Face Contact Nylon Brake
FCNTLB: Face Contact Nylon Total Lock Brake
FCSTLB: Face Contact Steel Total Lock Brake
WBT: Tread Wheel Brake
FG: Foot Guard
MICWB: Metal Installable Cam Wheel Brake

Optional Mounting Plates

Optional Top Plate Number	Mounting Plate	Bolt Hole Spacing	Bolt Size
41ST / 41RT	4" x 5"	2-5/8" x 3-5/8" slotted to 3" x 4"	3/8"
42ST / 42RT	4-1/2" x 6-1/2"	2-7/16" x 4-15/16" slotted to 3-3/8" x 5-1/4"	1/2"
43ST / 43RT	5" x 5-1/2"	4-1/8" x 4-1/2"	3/8"

Optional Overall Heights

Wheel Diameter	Overall Height
4"	5-1/4"
5"	6-1/8"
5"	6-3/8"
6"	7-1/4"
6"	7-3/8"
6"	7-3/4"
8"	9-1/4"
8"	9-3/4"

Specifications

Wheel Diameter	Wheel Width	Wheel Type	lbs. Capacity	Overall Height	Caged, Straight Roller Bearing	Flanged, Sealed Precision, 1pc. Ball Bearing	Plain, Oilite, Calcon Bearing	Swivel Lead	Approx Weight
3-1/4"	2"	Durastan	700	5-1/4"	46-DUR-3220-S		46-DUC-3220-S	1-7/16"	6.7
4"	1-1/2"	Forged Steel	1200	5-5/8"	46-FSR-0415-S		46-FSC-0415-S	1-3/8"	7.0
4"	2"	Cast Iron	800	5-5/8"	46-CIR-0420-S	46-CIB-0420-S	46-CIC-0420-S	1-3/8"	6.5
4"	2"	Durastan	800	5-5/8"	46-DUR-0420-S	46-DUB-0420-S	46-DUC-0420-S	1-3/8"	5.2
4"	2"	GT	1050	5-5/8"		46-GTB-0420-S		1-3/8"	5.2
4"	2"	High Temp Nylon	800	5-5/8"	46-HNR-0420-S			1-3/8"	5.2
4"	2"	Nylatron HD	1200	5-5/8"		46-NYB-0420-S		1-3/8"	5.7
4"	2"	Performance TPR	350	5-5/8"	46-RPR-0420-S	46-RPB-0420-S	46-RPC-0420-S	1-3/8"	5.3
4"	2"	Polyolefin	500	5-5/8"	46-POR-0420-S	46-POB-0420-S	46-POC-0420-S	1-3/8"	4.8

4"	2"	Rubber on Aluminum	700	5-5/8"		46-RAB-0420-S-EHT		1-3/8"	7.4
4"	2"	Rubber on Iron	350	5-5/8"	46-RIR-0420-S		46-RIC-0420-S	1-3/8"	7.5
4"	2"	Solid Urethane	700	5-5/8"		46-MUB-0420-S		1-3/8"	5.5
4"	2"	Urethane on Aluminum	700	5-5/8"	46-UAR-0420-S		46-UAC-0420-S	1-3/8"	5.0
4"	2"	Urethane on Iron	700	5-5/8"	46-UIR-0420-S		46-UIC-0420-S	1-3/8"	6.6
4"	2"	Urethane Polypropylene	600	5-5/8"	46-UPR-0420-S	46-UPB-0420-S	46-UPC-0420-S	1-3/8"	5.3
4"	2"	V-Groove Iron	800	5-5/8"	46-VIR-0420-S		46-VIC-0420-S	1-3/8"	7.6
4"	2"	Signature	400	5-5/8"	46-SWR-0420-S	46-SWB-0420-S	46-SWC-0420-S	1-3/8"	5.5
4"	2"	Pinnacle	800	5-5/8"	46-PNR-0420-S	46-PNB-0420-S	46-PNC-0420-S	1-3/8"	5.2
5"	2"	Cast Iron	1000	6-1/2"	46-CIR-0520-S	46-CIB-0520-S	46-CIC-0520-S	1-11/16"	7.8
5"	2"	Durastan	1000	6-1/2"	46-DUR-0520-S	46-DUB-0520-S	46-DUC-0520-S	1-11/16"	5.4
5"	2"	GT	1200	6-1/2"		46-GTB-0520-S		1-11/16"	5.4
5"	2"	Forged Steel	1200	6-1/2"	46-FSR-0520-S		46-FSC-0520-S	1-11/16"	8.1
5"	2"	High Temp Nylon	1000	6-1/2"	46-HNR-0520-S			1-11/16"	5.4
5"	2"	Nylatron HD	1200	6-1/2"		46-NYB-0520-S		1-11/16"	5.9
5"	2"	Performance TPR	375	6-1/2"	46-RPR-0520-S	46-RPB-0520-S	46-RPC-0520-S	1-11/16"	5.3
5"	2"	Polyolefin	650	6-1/2"	46-POR-0520-S	46-POB-0520-S	46-POC-0520-S	1-11/16"	4.6
5"	2"	Rubber on Aluminum	800	6-1/2"		46-RAB-0520-S-EHT		1-11/16"	7.5
5"	2"	Rubber on Iron	400	6-1/2"	46-RIR-0520-S		46-RIC-0520-S	1-11/16"	7.6
5"	2"	Solid Urethane	1000	6-1/2"		46-MUB-0520-S		1-11/16"	5.7
5"	2"	Urethane on Aluminum	1050	6-1/2"	46-UAR-0520-S		46-UAC-0520-S	1-11/16"	5.5
5"	2"	Urethane on Iron	1050	6-1/2"	46-UIR-0520-S		46-UIC-0520-S	1-11/16"	7.7
5"	2"	Urethane Polypropylene	750	6-1/2"	46-UPR-0520-S	46-UPB-0520-S	46-UPC-0520-S	1-11/16"	5.3
5"	2"	V-Groove Iron	800	6-1/2"	46-VIR-0520-S		46-VIC-0520-S	1-11/16"	9.9
5"	2"	Signature	500	6-1/2"	46-SWR-0520-S	46-SWB-0520-S	46-SWC-0520-S	1-11/16"	5.7
5"	2"	Pinnacle	1000	6-1/2"	46-PNR-0520-S	46-PNB-0520-S	46-PNC-0520-S	1-11/16"	5.6
6"	2"	Cast Iron	1200	7-1/2"	46-CIR-0620-S	46-CIB-0620-S	46-CIC-0620-S	2"	9.1
6"	2"	Durastan	1200	7-1/2"	46-DUR-0620-S	46-DUB-0620-S	46-DUC-0620-S	2"	6.3
6"	2"	GT	1200	7-1/2"		46-GTB-0620-S		2"	6.3
6"	2"	Forged Steel	1200	7-1/2"	46-FSR-0620-S		46-FSC-0620-S	2"	10.0
6"	2"	High Temp Nylon	1200	7-1/2"	46-HNR-0620-S			2"	6.3
6"	2"	Omega	1000	7-1/2"	46-UOR-0620-S	46-UOB-0620-S		2"	8.8
6"	2"	Performance TPR	525	7-1/2"	46-RPR-0620-S	46-RPB-0620-S	46-RPC-0620-S	2"	5.7
6"	2"	Polyolefin	700	7-1/2"	46-POR-0620-S	46-POB-0620-S	46-POC-0620-S	2"	5.0
6"	2"	Rubber on Aluminum	820	7-1/2"		46-RAB-0620-S-EHT		2"	7.8
6"	2"	Rubber on Iron	410	7-1/2"	46-RIR-0620-S		46-RIC-0620-S	2"	7.8
6"	2"	Solid Urethane	1200	7-1/2"		46-MUB-0620-S		2"	6.4
6"	2"	Urethane on Aluminum	1200	7-1/2"	46-UAR-0620-S		46-UAC-0620-S	2"	6.1
6"	2"	Urethane on Iron	1200	7-1/2"	46-UIR-0620-S	46-UIB-0620-S	46-UIC-0620-S	2"	8.8
6"	2"	Urethane Polypropylene	900	7-1/2"	46-UPR-0620-S	46-UPB-0620-S	46-UPC-0620-S	2"	5.7
6"	2"	V-Groove Iron	1000	7-1/2"	46-VIR-0620-S		46-VIC-0620-S	2"	10.9
6"	2"	Signature	600	7-1/2"	46-SWR-0620-S	46-SWB-0620-S	46-SWC-0620-S	2"	6.4
6"	2"	Pinnacle	1200	7-1/2"	46-PNR-0620-S	46-PNB-0620-S	46-PNC-0620-S	2"	6.2
6"	2"	Torus	1200	7-1/2"		46-UAB-0621-S		2"	6.1
8"	2"	Cast Iron	1200	9-1/2"	46-CIR-0820-S	46-CIB-0820-S	46-CIC-0820-S	2-5/8"	13.3
8"	2"	Durastan	1200	9-1/2"	46-DUR-0820-S	46-DUB-0820-S	46-DUC-0820-S	2-5/8"	7.7
8"	2"	GT	1200	9-1/2"		46-GTB-0820-S		2-5/8"	7.7
8"	2"	Omega	1200	9-1/2"	46-UOR-0820-S	46-UOB-0820-S		2-5/8"	12.1
8"	2"	Performance TPR	600	9-1/2"	46-RPR-0820-S	46-RPB-0820-S	46-RPC-0820-S	2-5/8"	7.1
8"	2"	Polyolefin	800	9-1/2"	46-POR-0820-S	46-POB-0820-S	46-POC-0820-S	2-5/8"	5.8
8"	2"	Rubber on Aluminum	1000	9-1/2"		46-RAB-0820-S-EHT		2-5/8"	10.1
8"	2"	Rubber on Iron	500	9-1/2"	46-RIR-0820-S		46-RIC-0820-S	2-5/8"	10.1
8"	2"	Solid Urethane	1200	9-1/2"		46-MUB-0820-S		2-5/8"	7.1
8"	2"	Urethane on Aluminum	1200	9-1/2"	46-UAR-0820-S		46-UAC-0820-S	2-5/8"	7.3
8"	2"	Urethane on Iron	1200	9-1/2"	46-UIR-0820-S	46-UIB-0820-S	46-UIC-0820-S	2-5/8"	12.1

8"	2"	Urethane Polypropylene	1000	9-1/2"	46- UPR -0820-S	46- UPB -0820-S	46- UPC -0820-S	2-5/8"	7.7
8"	2"	V-Groove Iron	1050	9-1/2"	46- VIR -0820-S		46- VIC -0820-S	2-5/8"	15.3
8"	2"	Signature	700	9-1/2"	46- SWR -0820-S	46- SWB -0820-S	46- SWC -0820-S	2-5/8"	7.1
8"	2"	Pinnacle	1200	9-1/2"	46- PNR -0820-S		46- PNC -0620-S	2-5/8"	6.9
8"	2"	Torus	1200	9-1/2"		46- UAB -0821-S		2-5/8"	7.3

To order a rigid caster, change the "S" to "R" in the model number. For example: "46-DUR-3220-R". To order a rig only, omit the blue letters. For example: "46-3220-S". Dimensions shown are nominal. If precise dimensions are required, consult your RWM representative. For approximate weight of our rigid casters, deduct 0.9 pounds per item.