



1225 Isley Road, Gastonia, NC  
28052  
Phone: [800-634-7704](tel:800-634-7704) Fax:  
800-253-6634  
[www.rwmcasters.com](http://www.rwmcasters.com)

# 47 Series Kingpinless™ Casters

Medium Duty Kingpinless™ Casters



RWM Caster manufactures the 47 Series as our lightest duty Kingpinless™ caster series. The 47 Series Caster is excellent in demanding applications requiring a product that will withstand shock, continuous use and abusive conditions. This medium duty series features our patented offset raceway for additional strength and is proudly Made in the U.S.A.

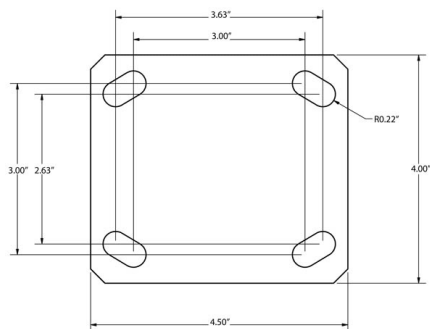


47-RAB-0820-S

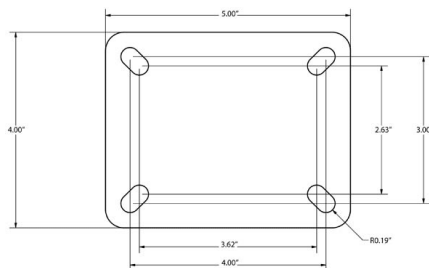


47-SWB-0620-R

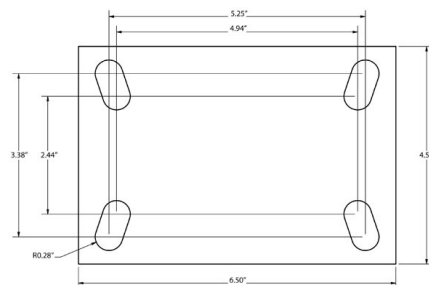
## Top Plates



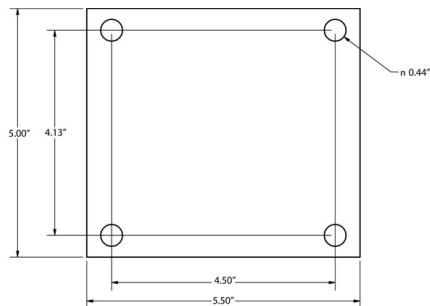
Standard Top Plate



Optional 41ST/41RT



Optional 42ST/42RT

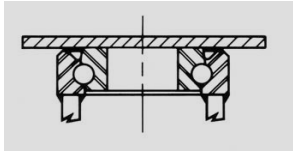


Optional 43ST/43RT

## Swivel Sections and Cross Sections

KINGPINLESS™ CASTER SWIVEL SECTION

Raceway Diameter



## Features

**Raceway Design:** Patented Kingpinless™ single ball bearing precision machined raceway hardened to 53 Rockwell C. minimum. Swivel section features 2 1/8" diameter raceway with 1/4" ball bearings.

**Swivel Section:** All swivel sections are supplied with a lubrication fitting for field maintenance. Notched yokes are standard.

**Capacity:** 1500lbs.

**Leg Thickness:** 1/4" formed steel

**Axle:** 1/2" bolt and locking nut drilled with lube fitting

**Finish:** Zinc plated to protect against corrosion

**Mounting Plate Size:** 4" x 4-1/2" x 1/4"

**Bolt Hole Spacing:** 2-5/8" x 3-5/8" slotted to 3" x 3"

**Mounting Bolt Diameter:** 3/8"

## Applications

- assembly lines
- boat and ship building
- automotive
- aerospace
- metal fabricating
- machinery
- handling carts
- ground support equipment
- warehousing carts

## Options

**DSL:** Demountable Swivel Lock

**HT:** High Temperature Lubrication

**ICWB:** Installable Face Contact Brake

**LT:** Low Temperature Lubrication

**SL:** Swivel Lock

**TG:** Thread Guards

**WB:** Side Wheel Brake with Roller Bearing only

**WS:** Wheel Seals

**WWB:** Wraparound Wheel Brake

**FOSL:** Foot Operated Swivel Lock

**FIFG:** Field Installable Foot Guard

**FG:** Foot Guard

**HTP:** High Temperature Paint

**CWB:** Cam Wheel Brake

**MICWB:** Metal Installable Cam Wheel Brake

## Benefits of Kingpinless™ Raceway

Our patented offset precision-machined raceway exerts radial force evenly where there

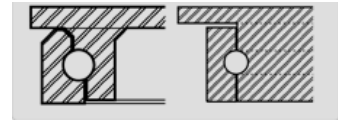
RWM's  
Raceway

Competitor's  
Raceway

is full contact between the ball bearing and the raceway. RWM's unique design adds more mass at key points. This, plus more thorough heat treatment, provides additional strength and combats brinelling into the core material.

**The Result:**

- No direct "hammering" forces on the intersections of the raceways
- Vastly reduced raceway wear
- Elimination of the "pull apart" forces of stress in the swivel section
- Smoother swiveling action
- High maneuverability
- Longer service life
- Less maintenance
- Extra impact resistance
- High radial force absorption



**Optional Mounting Plates**

Optional Top Plate Number	Mounting Plate	Bolt Hole Spacing	Bolt Size
41ST	4" x 5"	2-5/8" x 3-5/8" slotted to 3" x 4"	3/8"
41RT	4" x 5"	2-5/8" x 3-5/8" slotted to 3" x 4"	3/8"
42ST	4-1/2" x 6-1/2"	2-7/16" x 4-15/16" slotted to 3-3/8" x 5-1/4"	1/2"
42RT	4-1/2" x 6-1/2"	2-7/16" x 4-15/16" slotted to 3-3/8" x 5-1/4"	1/2"
43ST	5" x 5-1/2"	4-1/8" x 4-1/2"	3/8"
43RT	5" x 5-1/2"	4-1/8" x 4-1/2"	3/8"

**Optional Overall Heights**

Wheel Diameter	Overall Height
4"	5-9/16"
5"	6-11/16"
6"	7-1/4"
8"	10-1/8"

**Specifications**

Wheel Diameter	Wheel Width	Wheel Type	lbs. Capacity	Overall Height	Caged, Straight Roller Bearing	Flanged, Sealed Precision, 1pc. Ball Bearing	Plain, Oilite, Calcon Bearing	Swivel Load	Approx Weight
4"	1-1/2"	Forged Steel	1400	5-5/8"	47-FSR-0415-S		47-FSC-0415-S	1-11/32"	7.0
4"	2"	Cast Iron	800	5-5/8"	47-CIR-0420-S	47-CIB-0420-S	47-CIC-0420-S	1-3/8"	6.5
4"	2"	Durastan	800	5-5/8"	47-DUR-0420-S	47-DUB-0420-S	47-DUC-0420-S	1-3/8"	5.2
4"	2"	GT	1050	5-5/8"		47-GTB-0420-S		1-3/8"	5.0
4"	2"	High Temp. Nylon	800	5-5/8"	47-HNR-0420-S			1-3/8"	5.2
4"	2"	Nylatron HD	1500	5-5/8"		47-NYB-0420-S		1-3/8"	5.5
4"	2"	Performance TPR	350	5-5/8"	47-RPR-0420-S	47-RPB-0420-S	47-RPC-0420-S	1-3/8"	5.3
4"	2"	Polyolefin	500	5-5/8"	47-POR-0420-S	47-POB-0420-S	47-POC-0420-S	1-3/8"	4.8
4"	2"	Rubber on Aluminum	700	5-5/8"		47-RAB-0420-S-EHT		1-3/8"	7.4
4"	2"	Rubber on Iron	350	5-5/8"	47-RIR-0420-S		47-RIC-0420-S	1-3/8"	7.5
4"	2"	Solid Urethane	700	5-5/8"		47-MUB-0420-S		1-3/8"	5.5
4"	2"	Urethane on Aluminum	700	5-5/8"	47-UAR-0420-S		47-UAC-0420-S	1-3/8"	5.0
4"	2"	Urethane on Iron	700	5-5/8"	47-UIR-0420-S		47-UIC-0420-S	1-3/8"	6.6
4"	2"	Urethane Polypropylene	600	5-5/8"	47-UPR-0420-S	47-UPB-0420-S	47-UPC-0420-S	1-3/8"	5.3
4"	2"	V-Groove Iron	800	5-5/8"	47-VIR-0420-S		47-VIC-0420-S	1-3/8"	7.6
4"	2"	Signature	400	5-5/8"	47-SWR-0420-S	47-SWB-0420-S	47-SWC-0420-S	1-3/8"	5.5
4"	2"	Pinnacle	800	5-5/8"	47-PNR-0420-S	47-PNB-0420-S	47-PNC-0420-S	1-3/8"	5.2
5"	2"	Cast Iron	1000	6-1/2"	47-CIR-0520-S	47-CIB-0520-S	47-CIC-0520-S	1-1/2"	7.8
5"	2"	Durastan	1000	6-1/2"	47-DUR-0520-S	47-DUB-0520-S	47-DUC-0520-S	1-1/2"	5.4
5"	2"	Forged Steel	1500	6-1/2"	47-FSR-0520-S		47-FSC-0520-S	1-1/2"	8.1
5"	2"	GT	1200	6-1/2"		47-GTB-0520-S		1-1/2"	6.0
5"	2"	High Temp. Nylon	1000	6-1/2"	47-HNR-0520-S			1-1/2"	5.4
5"	2"	Nylatron HD	1500	6-1/2"		47-NYB-0520-S		1-1/2"	6.5
5"	2"	Performance TPR	375	6-1/2"	47-RPR-0520-S	47-RPB-0520-S	47-RPC-0520-S	1-1/2"	5.3

5"	2"	Polyolefin	650	6-1/2"	47- <b>POR</b> -0520-S	47- <b>POB</b> -0520-S	47- <b>POC</b> -0520-S	1-1/2"	4.6
5"	2"	Rubber on Aluminum	800	6-1/2"		47- <b>RAB</b> -0520-S-EHT		1-1/2"	7.5
5"	2"	Rubber on Iron	400	6-1/2"	47- <b>RIR</b> -0520-S		47- <b>RIC</b> -0520-S	1-1/2"	7.6
5"	2"	Solid Urethane	1000	6-1/2"		47- <b>MUB</b> -0520-S		1-1/2"	5.7
5"	2"	Urethane on Aluminum	1050	6-1/2"	47- <b>UAR</b> -0520-S		47- <b>UAC</b> -0520-S	1-1/2"	5.5
5"	2"	Urethane on Iron	1050	6-1/2"	47- <b>UIR</b> -0520-S		47- <b>UIC</b> -0520-S	1-1/2"	7.7
5"	2"	Urethane Polypropylene	750	6-1/2"	47- <b>UPR</b> -0520-S	47- <b>UPB</b> -0520-S	47- <b>UPC</b> -0520-S	1-1/2"	5.3
5"	2"	V-Groove Iron	800	6-1/2"	47- <b>VIR</b> -0520-S		47- <b>VIC</b> -0520-S	1-1/2"	9.9
5"	2"	Signature	500	6-1/2"	47- <b>SWR</b> -0520-S	47- <b>SWB</b> -0520-S	47- <b>SWC</b> -0520-S	1-1/2"	5.7
5"	2"	Pinnacle	1000	6-1/2"	47- <b>PNR</b> -0520-S	47- <b>PNB</b> -0520-S	47- <b>PNC</b> -0520-S	1-1/2"	5.6
6"	2"	Cast Iron	1200	7-1/2"	47- <b>CIR</b> -0620-S	47- <b>CIB</b> -0620-S	47- <b>CIC</b> -0620-S	1-3/4"	9.1
6"	2"	Durastan	1200	7-1/2"	47- <b>DUR</b> -0620-S	47- <b>DUB</b> -0620-S	47- <b>DUC</b> -0620-S	1-3/4"	6.3
6"	2"	Forged Steel	1500	7-1/2"	47- <b>FSR</b> -0620-S		47- <b>FSC</b> -0620-S	1-3/4"	10.0
6"	2"	GT	1500	7-1/2"		47- <b>GTB</b> -0620-S		1-3/4"	8.0
6"	2"	High Temp Nylon	1200	7-1/2"	47- <b>HNR</b> -0620-S			1-3/4"	6.3
6"	2"	Omega	1000	7-1/2"	47- <b>UOR</b> -0620-S	47- <b>UOB</b> -0620-S		1-3/4"	8.8
6"	2"	Performance TPR	525	7-1/2"	47- <b>RPR</b> -0620-S	47- <b>RPB</b> -0620-S	47- <b>RPC</b> -0620-S	1-3/4"	5.7
6"	2"	Polyolefin	700	7-1/2"	47- <b>POR</b> -0620-S	47- <b>POB</b> -0620-S	47- <b>POC</b> -0620-S	1-3/4"	5.0
6"	2"	Rubber on Aluminum	820	7-1/2"		47- <b>RAB</b> -0620-S-EHT		1-3/4"	7.8
6"	2"	Rubber on Iron	410	7-1/2"	47- <b>RIR</b> -0620-S		47- <b>RIC</b> -0620-S	1-3/4"	7.8
6"	2"	Solid Urethane	1200	7-1/2"		47- <b>MUB</b> -0620-S		1-3/4"	6.4
6"	2"	Urethane on Aluminum	1230	7-1/2"	47- <b>UAR</b> -0620-S		47- <b>UAC</b> -0620-S	1-3/4"	6.3
6"	2"	Urethane on Iron	1230	7-1/2"	47- <b>UIR</b> -0620-S	47- <b>UIB</b> -0620-S	47- <b>UIC</b> -0620-S	1-3/4"	8.8
6"	2"	Urethane Polypropylene	900	7-1/2"	47- <b>UPR</b> -0620-S	47- <b>UPB</b> -0620-S	47- <b>UPC</b> -0620-S	1-3/4"	5.7
6"	2"	V-Groove Iron	1000	7-1/2"	47- <b>VIR</b> -0620-S		47- <b>VIC</b> -0620-S	1-3/4"	10.9
6"	2"	Signature	600	7-1/2"	47- <b>SWR</b> -0620-S	47- <b>SWB</b> -0620-S	47- <b>SWC</b> -0620-S	1-3/4"	6.4
6"	2"	Pinnacle	1200	7-1/2"	47- <b>PNR</b> -0620-S	47- <b>PNB</b> -0620-S	47- <b>PNC</b> -0620-S	1-3/4"	6.2
6"	2"	Torus	1230	7-1/2"		47- <b>UAB</b> -0621-S		1-3/4"	7.0
8"	2"	Cast Iron	1400	9-1/2"	47- <b>CIR</b> -0820-S	47- <b>CIB</b> -0820-S	47- <b>CIC</b> -0820-S	2-1/8"	13.3
8"	2"	Durastan	1400	9-1/2"	47- <b>DUR</b> -0820-S	47- <b>DUB</b> -0820-S	47- <b>DUC</b> -0820-S	2-1/8"	7.7
8"	2"	GT	1500	9-1/2"		47- <b>GTB</b> -0820-S		2-1/8"	12.2
8"	2"	Omega	1200	9-1/2"	47- <b>UOR</b> -0820-S	47- <b>UOB</b> -0820-S		2-1/8"	12.2
8"	2"	Performance TPR	600	9-1/2"	47- <b>RPR</b> -0820-S	47- <b>RPB</b> -0820-S	47- <b>RPC</b> -0820-S	2-1/8"	7.7
8"	2"	Polyolefin	800	9-1/2"	47- <b>POR</b> -0820-S	47- <b>POB</b> -0820-S	47- <b>POC</b> -0820-S	2-1/8"	5.8
8"	2"	Rubber on Aluminum	1000	9-1/2"		47- <b>RAB</b> -0820-S-EHT		2-1/8"	10.1
8"	2"	Rubber on Iron	500	9-1/2"	47- <b>RIR</b> -0820-S		47- <b>RIC</b> -0820-S	2-1/8"	10.2
8"	2"	Solid Urethane	1500	9-1/2"		47- <b>MUB</b> -0820-S		2-1/8"	7.1
8"	2"	Urethane on Aluminum	1500	9-1/2"	47- <b>UAR</b> -0820-S		47- <b>UAC</b> -0820-S	2-1/8"	7.3
8"	2"	Urethane on Iron	1500	9-1/2"	47- <b>UIR</b> -0820-S	47- <b>UIB</b> -0820-S	47- <b>UIC</b> -0820-S	2-1/8"	12.1
8"	2"	Urethane Polypropylene	1000	9-1/2"	47- <b>UPR</b> -0820-S	47- <b>UPB</b> -0820-S	47- <b>UPC</b> -0820-S	2-1/8"	7.7
8"	2"	V-Groove Iron	1050	9-1/2"	47- <b>VIR</b> -0820-S		47- <b>VIC</b> -0820-S	2-1/8"	15.3
8"	2"	Signature	700	9-1/2"	47- <b>SWR</b> -0820-S	47- <b>SWB</b> -0820-S	47- <b>SWC</b> -0820-S	2-1/8"	7.1
8"	2"	Pinnacle	1400	9-1/2"	47- <b>PNR</b> -0820-S	47- <b>PNB</b> -0820-S	47- <b>PNC</b> -0820-S	2-1/8"	6.9
8"	2"	Torus	1500	9-1/2"		47- <b>UAB</b> -0821-S		2-1/8"	7.0

To order a rigid caster, change the "S" to "R" in the model number. For example, "47-UPB-0520-R". To order a rig only, omit the blue letters. For example: "47-0520-S". For approximate weight of rigid caster deduct .7 pounds. Dimensions shown are nominal. If precise dimensions are required, please consult your RWM representative.