

# Machined Steel Flanged Wheels

RWM Casters Machined Steel Flanged Wheels are designed with the most gruesome applications in mind. These industrial track wheels optimize production flow by running on tracks instead of the production floor itself, preventing damage to your floors and aiding in rollability. Capable of handling the largest loads, these wheels are the best solution to move the heaviest of projects and are proudly Made in the USA! RWM's machined steel flanged wheels are induction heat treated for extended service life and long term abuse.



FFP-0520-10-S

## Features

**Temperature Range:** -50° to +800°F

**Finish:** Painted

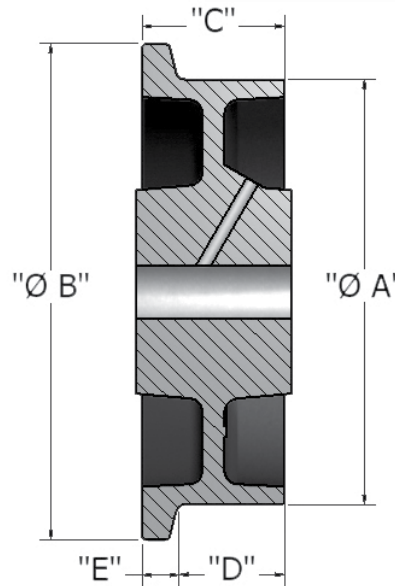
**Bores:** Special sizes available upon request

**Keywords:** Can be installed on most sizes

**SINGLE FLANGE:** "S" after bearing #

**DUAL FLANGE:** "D" after bearing #

**HUB LENGTH:** includes spanner & roller bearings installed



## Options

**WS** Wheel Seals

CONTACT RWM FOR MORE OPTIONS.  
SPECIAL BORES AND SIZES AVAILABLE.

## DUAL FLANGE SPECIFICATIONS

| Wheel Diameter A | Flanged Diameter B | Wheel Width C | Tread Face D | Flange E | Capacity lbs. | Axle Diameter | Straight Roller Bearing | Tapered Roller Bearing | Hub Length | Approx Weight lbs. |
|------------------|--------------------|---------------|--------------|----------|---------------|---------------|-------------------------|------------------------|------------|--------------------|
| 6"               | 7"                 | 3"            | 2"           | 1/2"     | 10000         | 3/4"          | FFR-0630-12-D           | FFT-0630-12-D          | 3-9/16"    | 18                 |
|                  |                    |               |              |          |               | 1"            | FFR-0630-16-D           | FFT-0630-16-D          |            |                    |
|                  |                    |               |              |          |               | 1-1/4"        | FFR-0630-20-D           | FFT-0630-20-D          |            |                    |
|                  |                    |               |              |          |               | 1-1/2"        | FFR-0630-24-D           | FFT-0630-24-D          |            |                    |
| 8"               | 9"                 | 3"            | 2"           | 1/2"     | 12000         | 3/4"          | FFR-0830-12-D           | FFT-0830-12-D          | 3-9/16"    | 21                 |
|                  |                    |               |              |          |               | 1"            | FFR-0830-16-D           | FFT-0830-16-D          |            |                    |
|                  |                    |               |              |          |               | 1-1/4"        | FFR-0830-20-D           | FFT-0830-20-D          |            |                    |
|                  |                    |               |              |          |               | 1-1/2"        | FFR-0830-24-D           | FFT-0830-24-D          |            |                    |
| 8"               | 10"                | 4"            | 2-1/2"       | 3/4"     | 20000         | 1"            | FFR-0840-16-D           | FFT-0840-16-D          | 4-9/16"    | 33                 |
|                  |                    |               |              |          |               | 1-1/4"        | FFR-0840-20-D           | FFT-0840-20-D          |            |                    |
|                  |                    |               |              |          |               | 1-1/2"        | FFR-0840-24-D           | FFT-0840-24-D          |            |                    |
| 10"              | 12"                | 3"            | 2"           | 1/2"     | 15000         | 3/4"          | FFR-1030-12-D           | FFT-1030-12-D          | 3-9/16"    | 30                 |
|                  |                    |               |              |          |               | 1"            | FFR-1030-16-D           | FFT-1030-16-D          |            |                    |
|                  |                    |               |              |          |               | 1-1/4"        | FFR-1030-20-D           | FFT-1030-20-D          |            |                    |
|                  |                    |               |              |          |               | 1-1/2"        | FFR-1030-24-D           | FFT-1030-24-D          |            |                    |
| 10"              | 12"                | 4"            | 2-1/2"       | 3/4"     | 20000         | 1"            | FFR-1040-16-D           | FFT-1040-16-D          | 4-9/16"    | 42                 |
|                  |                    |               |              |          |               | 1-1/4"        | FFR-1040-20-D           | FFT-1040-20-D          |            |                    |
|                  |                    |               |              |          |               | 1-1/2"        | FFR-1040-24-D           |                        |            |                    |

UP TO 20,000 POUND CAPACITY

## SINGLE FLANGE SPECIFICATIONS

| Wheel Diameter A | Flanged Diameter B | Wheel Width C | Tread Face D | Flange E | Capacity lbs. | Axle Diameter | Straight Roller Bearing | Tapered Roller Bearing | Plain Bearing | Hub Length | Approx Weight lbs. |
|------------------|--------------------|---------------|--------------|----------|---------------|---------------|-------------------------|------------------------|---------------|------------|--------------------|
| 5"               | 6"                 | 2"            | 1-1/2"       | 1/2"     | 3000          | 1/2"          | FFR-0520-08-S           | FFT-0520-08-S          | FFP-0520-08-S | 2-7/16"    | 8                  |
|                  |                    |               |              |          |               | 5/8"          | FFR-0520-10-S           | FFT-0520-10-S          | FFP-0520-10-S |            |                    |
|                  |                    |               |              |          | 5000          | 3/4"          | FFR-0520-12-S           | FFT-0520-12-S          | FFP-0520-12-S |            |                    |
|                  |                    |               |              |          |               | 1"            | FFR-0520-16-S           | FFT-0520-16-S          |               |            |                    |
|                  |                    |               |              |          | 1-1/4"        | FFR-0520-20-S | FFT-0520-20-S           |                        |               |            |                    |
| 6"               | 7"                 | 2"            | 1-1/2"       | 1/2"     | 4000          | 1/2"          | FFR-0620-08-S           | FFT-0620-08-S          | FFP-0620-08-S | 2-7/16"    | 10                 |
|                  |                    |               |              |          |               | 5/8"          | FFR-0620-10-S           | FFT-0620-10-S          | FFP-0620-10-S |            |                    |
|                  |                    |               |              |          | 8000          | 3/4"          | FFR-0620-12-S           | FFT-0620-12-S          | FFP-0620-12-S |            |                    |
|                  |                    |               |              |          |               | 1"            | FFR-0620-16-S           | FFT-0620-16-S          |               |            |                    |
|                  |                    |               |              |          | 1-1/4"        | FFR-0620-20-S | FFT-0620-20-S           |                        |               |            |                    |
| 6"               | 7"                 | 3"            | 2-1/4"       | 3/4"     | 10000         | 3/4"          | FFR-0630-12-S           | FFT-0630-12-S          |               | 3-9/16"    | 16                 |
|                  |                    |               |              |          |               | 1"            | FFR-0630-16-S           | FFT-0630-16-S          |               |            |                    |
|                  |                    |               |              |          |               | 1-1/4"        | FFR-0630-20-S           | FFT-0630-20-S          |               |            |                    |
|                  |                    |               |              |          |               | 1-1/2"        | FFR-0630-24-S           | FFT-0630-24-S          |               |            |                    |
| 8"               | 9"                 | 3"            | 2-1/4"       | 3/4"     | 12000         | 3/4"          | FFR-0830-12-S           | FFT-0830-12-S          |               | 3-9/16"    | 19                 |
|                  |                    |               |              |          |               | 1"            | FFR-0830-16-S           | FFT-0830-16-S          |               |            |                    |
|                  |                    |               |              |          |               | 1-1/4"        | FFR-0830-20-S           | FFT-0830-20-S          |               |            |                    |
|                  |                    |               |              |          |               | 1-1/2"        | FFR-0830-24-S           | FFT-0830-24-S          |               |            |                    |
| 8"               | 10"                | 4"            | 3"           | 1"       | 20000         | 1"            | FFR-0840-16-S           | FFT-0840-16-S          |               | 4-9/16"    | 31                 |
|                  |                    |               |              |          |               | 1-1/4"        | FFR-0840-20-S           | FFT-0840-20-S          |               |            |                    |
|                  |                    |               |              |          |               | 1-1/2"        | FFR-0840-24-S           | FFT-0840-24-S          |               |            |                    |
| 10"              | 12"                | 3"            | 2-1/4"       | 3/4"     | 15000         | 3/4"          | FFR-1030-12-S           | FFT-1030-12-S          |               | 3-9/16"    | 27                 |
|                  |                    |               |              |          |               | 1"            | FFR-1030-16-S           | FFT-1030-16-S          |               |            |                    |
|                  |                    |               |              |          |               | 1-1/4"        | FFR-1030-20-S           | FFT-1030-20-S          |               |            |                    |
|                  |                    |               |              |          |               | 1-1/2"        | FFR-1030-24-S           | FFT-1030-24-S          |               |            |                    |
| 10"              | 12"                | 4"            | 3"           | 1"       | 20000         | 1"            | FFR-1040-16-S           | FFT-1040-16-S          |               | 4-9/16"    | 39                 |
|                  |                    |               |              |          |               | 1-1/4"        | FFR-1040-20-S           | FFT-1040-20-S          |               |            |                    |
|                  |                    |               |              |          |               | 1-1/2"        | FFR-1040-24-S           | FFT-1040-24-S          |               |            |                    |

UP TO 20,000 POUND CAPACITY