

## Choice RSTAT1 Basic Room Thermostat



### Benefits

---

This Choice basic mechanical room thermostat is an economical and simple to use room thermostat. Simply turn the mechanical control dial to your desired temperature to control your room temperature. This unit also produces an audible “click” when you turn the dial past the current temperature so you know when the system is being turned ON or OFF.

This mechanical 2 wire thermostat is very easy to install and having volt free contacts is suitable for systems with either a combination or normal boiler. If you have a three wire installation, simply cut back and make safe the neutral and this two wire thermostat will give you years of faithful service.

### Features

---

- Dual diaphragm temperature sensing element
- Suitable for surface or patress box mounting
- 10 to 30°C Set point range
- 16 Amp current rating
- Double Insulated
- 2 Wire Installation

### Applications

---

Designed to provide simple automatic ON/OFF control for your heating systems, by sensing the air temperature and switching on the heating when the air temperature falls below the thermostat setting and switching off when temperature is reached.

## Technical Data

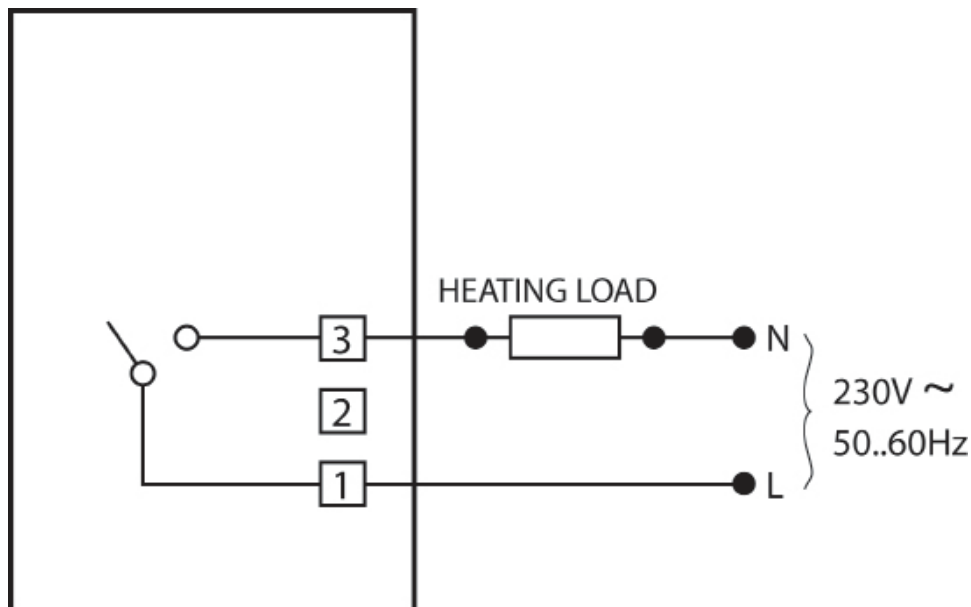
---

Power Supply:	230V Ac, 50-60Hz
Temperature setting Range	10°C to 30°C
Current Rating:	16(4) Amp
Terminal Differential:	Approx 4°C
Operating Temperature Range:	0°C to 40°C
Dimensions:	L83 x H83 x D37
Complies with:	EN60730-1, En60730-2.9, EMC Directive 2004/108/EC, LVD Directive 2006/95/EC

## Electrical Connections

---

### Internal Wiring Diagram



For volt free applications connect to terminals as follows:

- 1 - Input
- 3 - Output

## Contact Us: 01475 745131

### CUSTOMER CARE POLICY

As part of Sangamo's continuous improvement program, the Company operates a Customer Care Policy. This means that we welcome your comments and complaints, as it can only help us to improve our services to you, our customer.

**SANGAMO**

Sangamo Limited, Industrial Estate, Port Glasgow,  
Renfrewshire PA14 5XG

Tel: 01475 745131 Fax: 01475 744567

Email : [enquiries@sangamo.co.uk](mailto:enquiries@sangamo.co.uk) Web: [www.sangamo.co.uk](http://www.sangamo.co.uk)