




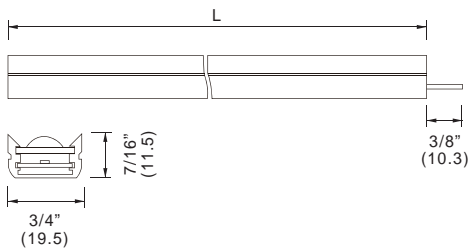


LAZER

Specifications:

| Model | IN | W |  |  |  |
|---------------|-------|----|---|---|---|
| LAZER-L12-24V | 24VDC | 4W | 45° | 12pcs | 12"(304.8) |
| LAZER-L18-24V | 24VDC | 6W | 45° | 18pcs | 18"(457.2) |
| LAZER-L24-24V | 24VDC | 8W | 45° | 24pcs | 24"(609.6) |

Dimensions: (inches/mm)



Characteristics:

- Low profile needs less hardware
- Dark spot free at the linking point
- Interconnectable for multiple lights
- Excellent colour rendering
- Lifetime: 50,000 hrs (ta=77°F, 25°C)
- ta: -4°F~95°F (-20°C~35°C)
- CCT: 2700K 3000K 4000K 5000K 6500K
- Material: Aluminum alloy

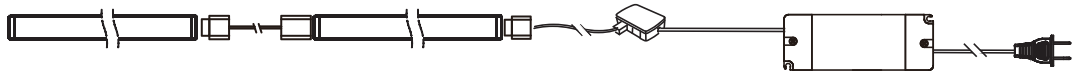
Housing colour: 


Application:

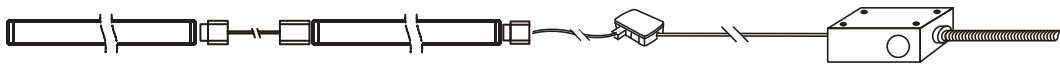
- Suitable for using in display shelves, cabinets, etc.





Wiring diagram



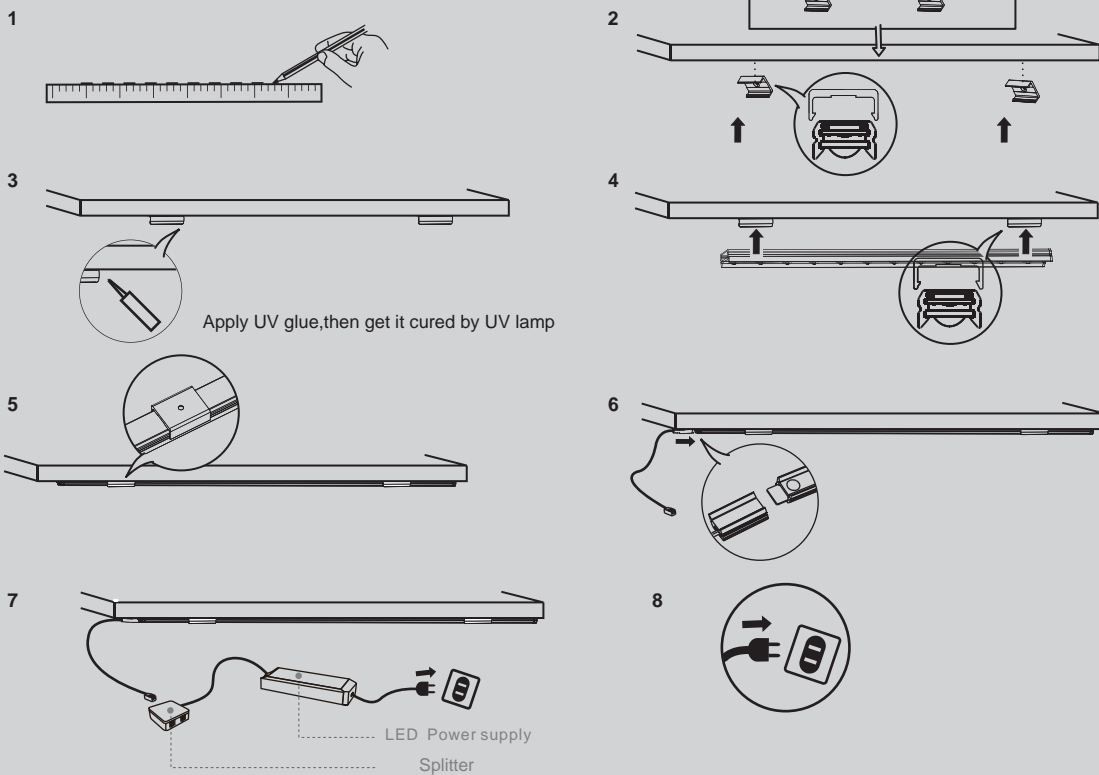
| Model | Soft Connector | Connecting Cable | UL LISTED LED Power Supply | Max. Linkable |
|---------------|------------------------|------------------|---|---------------|
| LAZER-L12-24V | Optional L=2"(50mm) | L=59"(1500mm) |  L=150mm(5-15/16") SLT30-24VF-A L=59"(1500mm) Input:100-120VAC Output:24VDC Max.:30W | 7 pcs |
| LAZER-L18-24V | | | | 5 pcs |
| LAZER-L24-24V | | | | 3 pcs |



| Model | Soft Connector | Connecting Cable | Splitter | LED Power Supply | Max. Linkable |
|---------------|------------------------|------------------|---|---|---------------|
| LAZER-L12-24V | Optional L=2"(50mm) | L=59"(1500mm) |  JB-4A L=5-15/16" (150mm) |  SLT30-24VF Input:100-240VAC Output:24VDC Max.: 30W | 7 pcs |
| LAZER-L18-24V | | | | | 5 pcs |
| LAZER-L24-24V | | | | | 3 pcs |

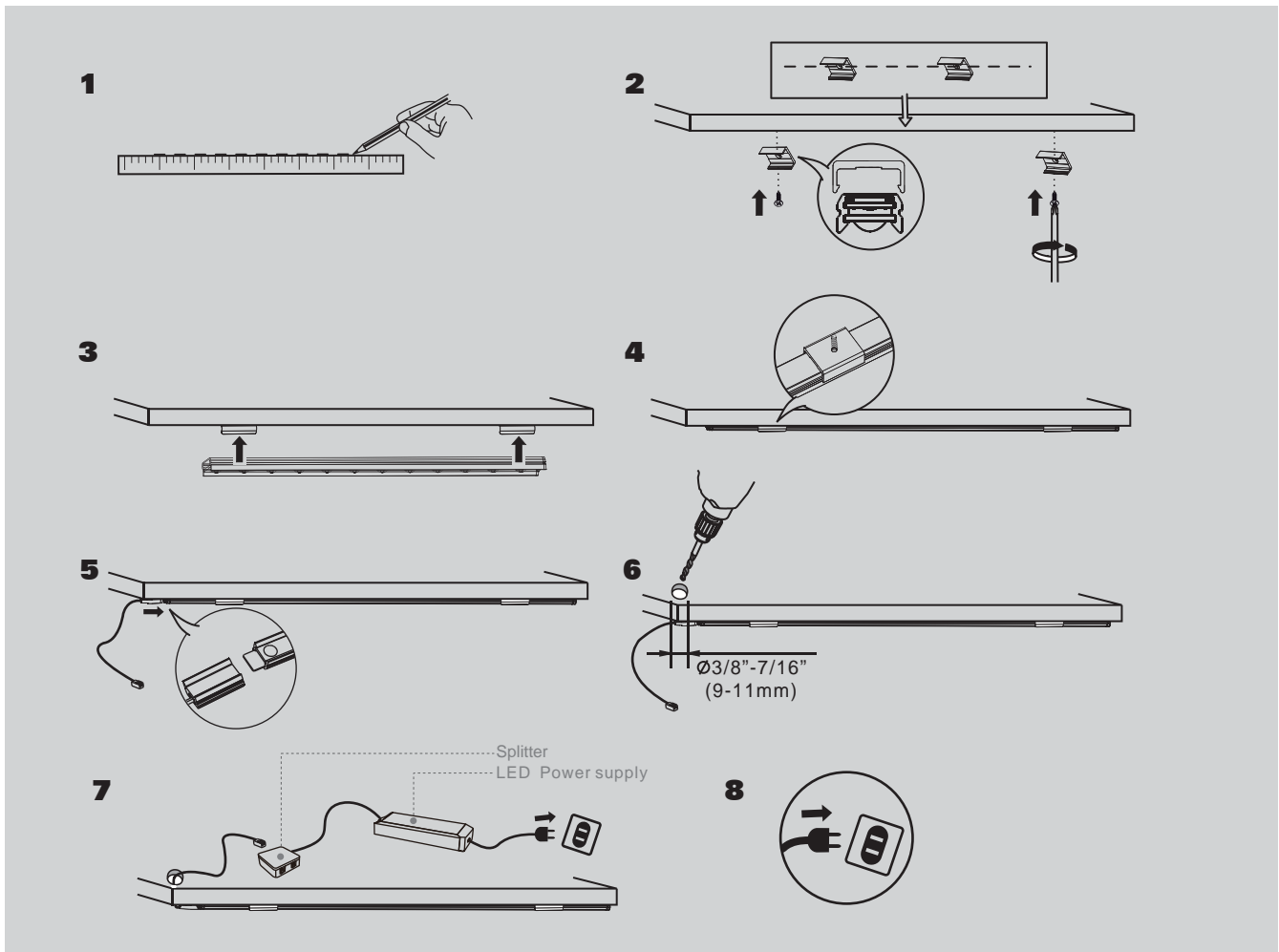
Glass panel installation

Installation:



Wood panel installation

Installation:



Photometric data:

Vertical & Horizontal Beamwidth Center Beam FC

| | | LAZER-L12-24V | | | | | LAZER-L18-24V | | | | | LAZER-L24-24V | | | | |
|-----|-----------|---------------|--------|--------|--------|--------|---------------|--------|--------|--------|--------|---------------|--------|--------|--------|--------|
| | | 2700K | 3000K | 4000K | 5000K | 6500K | 2700K | 3000K | 4000K | 5000K | 6500K | 2700K | 3000K | 4000K | 5000K | 6500K |
| 12° | 9-15/16" | 304 | 304 | 416 | 416 | 416 | 305 | 305 | 418 | 418 | 418 | 309 | 309 | 423 | 423 | 423 |
| 18° | 14-15/16" | 167 | 167 | 229 | 229 | 229 | 184 | 184 | 253 | 253 | 253 | 195 | 195 | 268 | 268 | 268 |
| 24° | 19-7/8" | 104 | 104 | 143 | 143 | 143 | 128 | 128 | 175 | 175 | 175 | 136 | 136 | 186 | 186 | 186 |
| 30° | 24-7/8" | 68 | 68 | 94 | 94 | 94 | 84 | 84 | 115 | 115 | 115 | 98 | 98 | 134 | 134 | 134 |
| H | D | 253 lm | 253 lm | 346 lm | 346 lm | 346 lm | 379 lm | 379 lm | 519 lm | 519 lm | 519 lm | 499 lm | 499 lm | 684 lm | 684 lm | 684 lm |