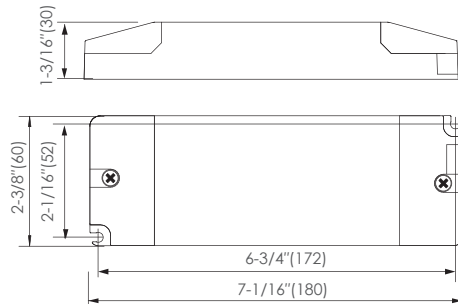


CV Version Universal Input LED Power Supply



Dimensions: (inches/mm)



■ Features

- Universal input voltage
- Independent power supply for constant voltage LED lamp
- Class II protection against electric shock from direct and indirect contact
- UL 8750 class 2 output
- Open circuit, short circuit, over load and over temperature protection
- Auto restart after fault conditions removal
- No load power consumption $\leq 0.3W$
- Efficiency $\geq 88\%$ (AC120V, full load)

■ Standards

UL8750
UL1310
FCC15A

■ Characteristics

Rated input voltage: AC100-240V 50/60Hz (power factor measured at AC120V and full load)

Catalog No.	Model No.	Constant output voltage	Load	λ	t_a	t_c	L x W x H	Approval
12-7524L-12	SLT75-24VL-2	DC24V	0-75W	0.95	-4-104°F (-20-40°C)	176°F (80°C)	7-1/16"x2-3/8"x1-3/16" (180x60x30mm)	CE