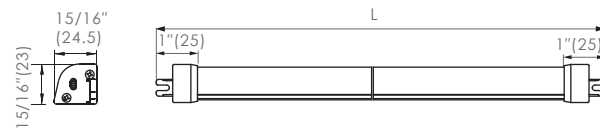




FRESCO



Dimensions: (inches/mm)



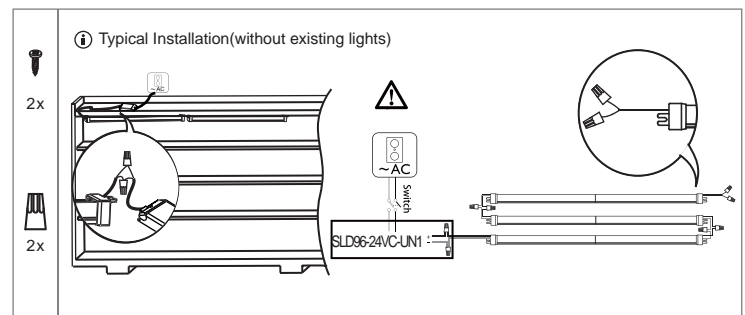
Highlights:

- Anti-glare design
- Bright and consistent illuminance for display area
- Less heat radiation, more energy saving
- Lifetime: 50,000hrs (ta=95°F, 35°C)
- IP Rating: IP64(for damp locations)
- Ta: -13°F~95°F (-25°C~35°C)
- Material: Aluminum alloy

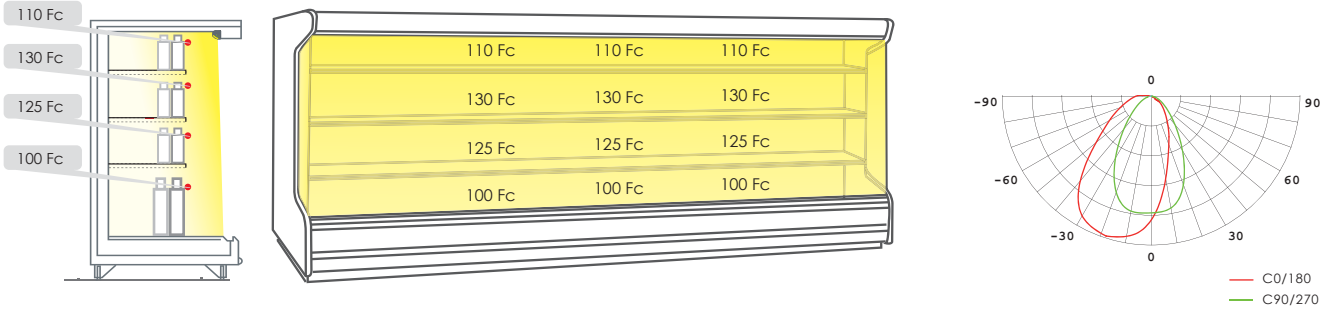
Application:

- Ideal for canopy lighting in refrigerated case.

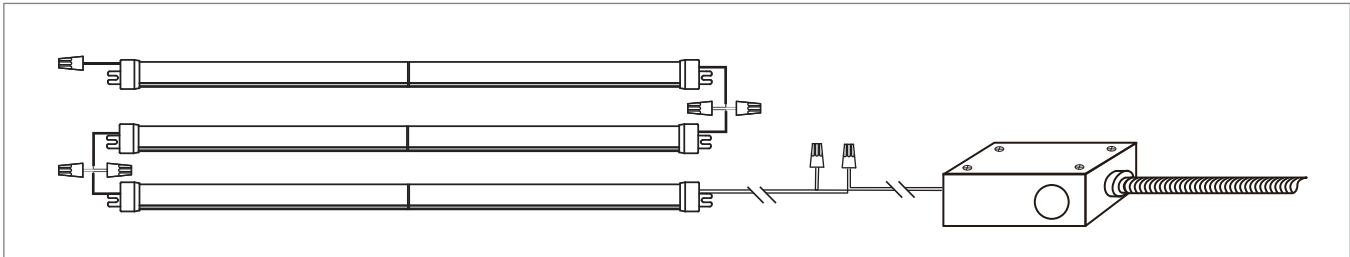
Installation:



Center Beam FC



Wiring diagram:



How to order (using our catalog numbers): (Example: FRESCO-4830KSS1818)

Series	length	Color Temp	Finish	Installation	Input Cable Length	Output Cable Length
FRESCO	-					
FRESCO	48 - 47.9" (1216mm)	30K - 3000K 40K - 4000K	S - Silver	S - Screw Mounting	18 - 18"(450mm)	18 - 18"(450mm)

Catalog No.	Model	Description					Max. Pcs Per LED Power Supply
		Rated Input	Ra	Wattage (TYP)	Luminous Flux(TYP@4000K)	Include	96W (9-9624DL-26)
FRESCO-4830KSS1818	FRESCO-L102-24V	24VDC	85	24W	1800 lm	1pc LED Fixture 2pcs Screws 2pcs Wire Nuts	3pcs
FRESCO-4840KSS1818							

How to choose your driver & cables:

Catalog No.	Description	Photo
9-9624DL-26	Model: SLD96-24VC-UN1 Matching driver, max. 96W. Input: 120-277VAC 9" hard wire Output: 24VDC 26" hard wire	

*Note: For alternative driver configurations, please contact our sales department.