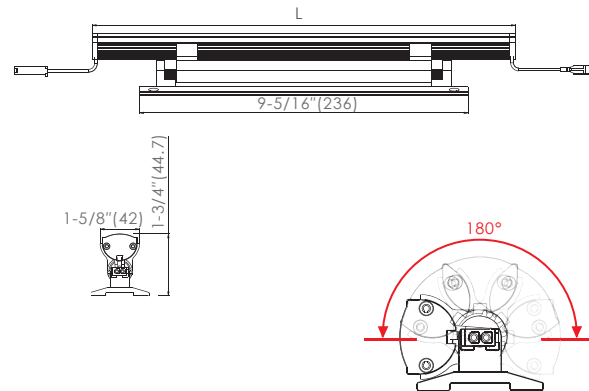




COVE



Dimensions: (inches/mm)



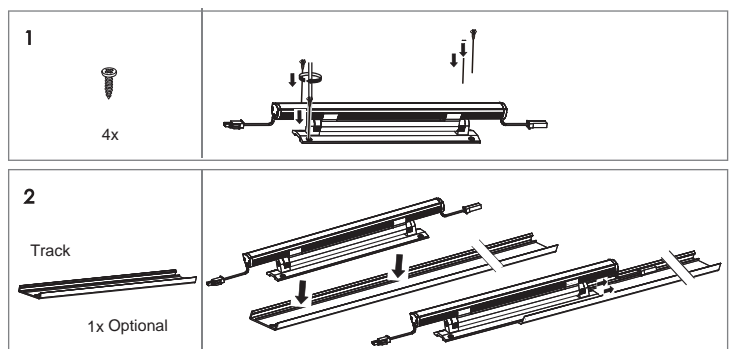
Highlights:

- Wide beam angle
- Linkable, Max. linkable length: 16' per run
- Dark spot free at the linking point
- Lifetime : 50, 000 hrs(ta=95°F, 35°C)
- Ta: -4°F ~ 95°F (-20°C ~ 35°C)
- Material: aluminum alloy

Application:

- Ideal for ceiling coves, wall wash, etc.

Installation:

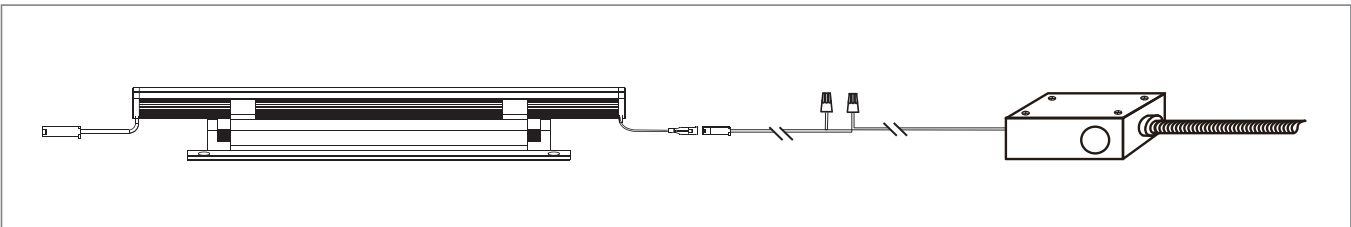


Vertical & Horizontal Beamwidth

Center Beam FC

		COVE-L24-24V-1			COVE-L48-24V-1			COVE-L96-24V-1		
		3000K	4000K	5000K	3000K	4000K	5000K	3000K	4000K	5000K
12"	34-1/4"	120	132	132	151	166	166	216	237	237
18"	51-7/16"	59	64	64	87	96	96	135	149	149
24"	68-9/16"	34	38	38	55	60	60	94	103	103
30"	85-11/16"	22	24	24	38	42	42	68	74	74
H	D	418 lm	459 lm	459 lm	842 lm	925 lm	925 lm	1678 lm	1844 lm	1844 lm

Wiring diagram:



How to order (using our catalog numbers): (Example: COVE-1230K110SCA)

Series	Length	Color Temp	Beam Angle	Finish	Installation
COVE	-				
COVE	12 - 12-1/8" (308mm) 24 - 23-15/16" (608mm) 48 - 47-9/16" (1208mm)	30K - 3000K 40K - 4000K 50K - 5000K	110 - 110°	S - Silver	CA - Clip Mounting AD




Catalog No.	Model	Description				Max. Pcs Per LED Power Supply 96W (9-9624DL-26)
		Rated Input	Ra	Wattage	Include	
COVE-1230K110SCA	COVE-L24-24V-1	24VDC	85	5W	1pc LED fixture 4pcs Expansion screws 4pcs Long screws 4pcs Short screws	16 pcs
COVE-1240K110SCA						
COVE-1250K110SCA						
COVE-2430K110SCA	COVE-L48-24V-1	24VDC	85	10W	1pc LED fixture 4pcs Expansion screws 4pcs Long screws 4pcs Short screws	8 pcs
COVE-2440K110SCA						
COVE-2450K110SCA						
COVE-4830K110SCA	COVE-L96-24V-1	24VDC	85	20W	1pc LED fixture 4pcs Expansion screws 4pcs Long screws 4pcs Short screws	4 pcs
COVE-4840K110SCA						
COVE-4850K110SCA						

*Note: Max. linkable length: 16' per run.
Multiple runs not to exceed max driver wattage.

Cove Lighting



How to choose your driver & cables:

Catalog No.	Description	Photo
EC-CV-59	Extension cable 59" (used as input cable or soft connector)	
OC-08S-6T	Output cable of Power supply 6" with P008-2P Socket and ends tinned	
9-9624DL-26	Model: SLD96-24VC-UN1 Matching driver, max. 96W. Input: 120-277VAC 9" hard wire Output: 24VDC 26" hard wire	

*Note: For alternative driver configurations, please contact our sales department.

Optional:

Catalog No.	Description	Photo
TK-CV-67	Track 67" (1700mm)	