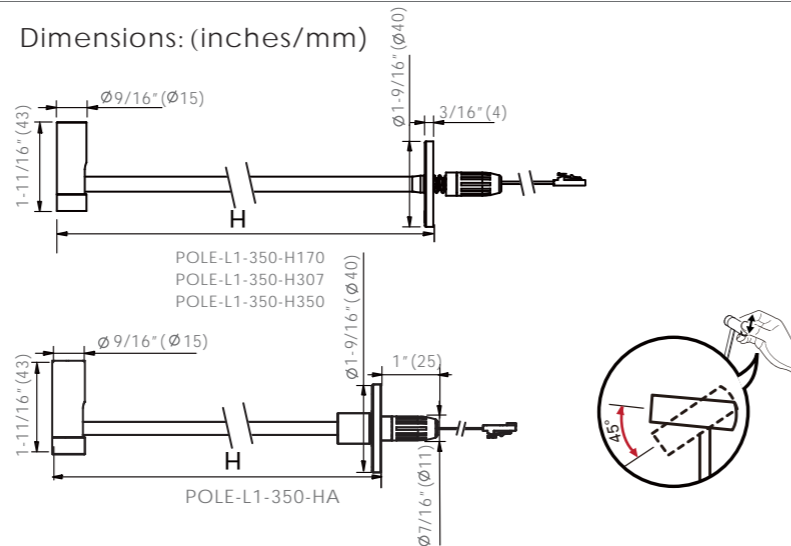




POLE



Characteristics:

- Display light with adjustable lamp head
- Lifetime : 50,000 hrs (ta=77°F, 25 °C)
- ta: -4°F ~ 95°F (-20 °C ~ 35 °C)
- CCT: 3000K 4000K 5000K
- Material: aluminum alloy

Housing colour:

Application:

Designed for display cases
Especially great for jewelry, souvenirs, watches, pens and other luxuries

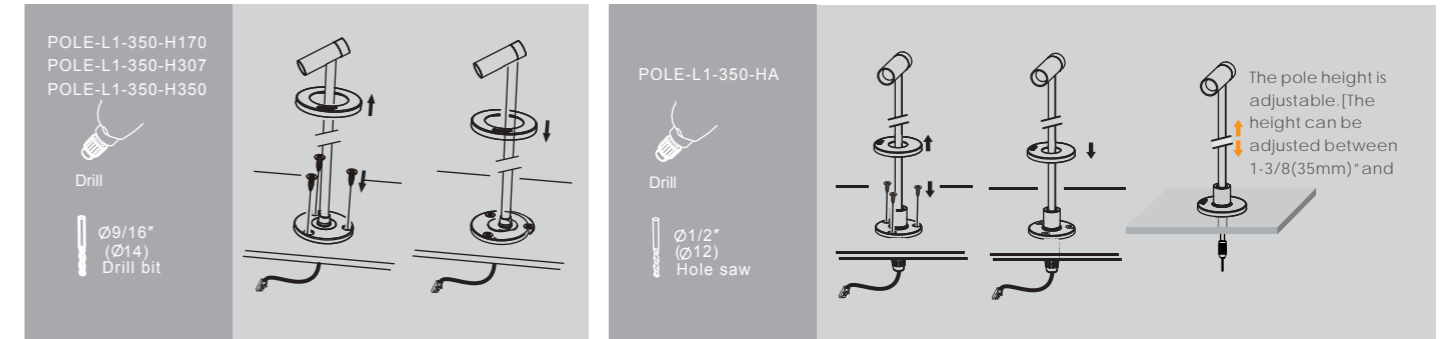
Model	IN	W	Beam	Qty	H
POLE-L1-350-H170	350mA	1.25W	25°	1 pc	6-11/16" (170mm)
POLE-L1-350-H307	350mA	1.25W	25°	1 pc	12-1/16" (307mm)
POLE-L1-350-H350	350mA	1.25W	25°	1 pc	13-3/4" (350mm)
POLE-L1-350-HA	350mA	1.25W	25°	1 pc	1-3/8" ~ 14-5/8" (35-370mm)

Vertical & Horizontal Beamwidth

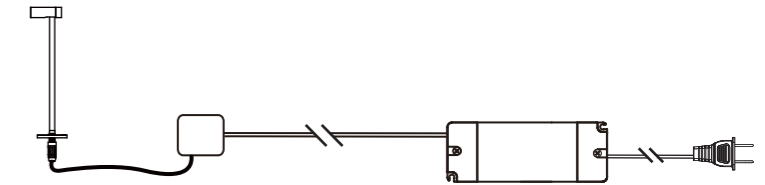
Center Beam FC

POLE-L1-350-H170/H307/H350		POLE-L1-350-HA				
25°		2700K	3000K	4000K	5000K	6500K
12"	5-5/16"	357	378	412	425	378
18"	8"	159	168	183	189	168
24"	10-5/8"	89	95	103	106	95
30"	13-5/16"	57	60	66	68	60
H	D	80 lm	85 lm	93 lm	96 lm	85 lm

Installation:

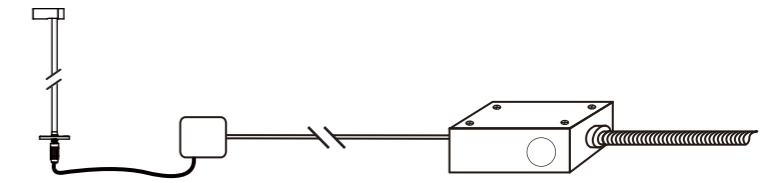


Wiring diagram:



Model	Splitter	LED Power Supply	Cable + Plug	Max. Runs
POLE-L1-350-H170 POLE-L1-350-H307 POLE-L1-350-H350 POLE-L1-350-HA	JBI-4A L=5-15/16" (150mm)	SLT12-350IF-2-K Input: 100-240VAC Output: 350mA Max.: 12W	L=59" (1500mm)	4 pcs 4 pcs 4 pcs 4 pcs

Wiring diagram:



Model	Splitter	LED Power Supply	Max. Runs
POLE-L1-350-H170 POLE-L1-350-H307 POLE-L1-350-H350 POLE-L1-350-HA	JBI-4A L=5-15/16" (150mm)	SLT12-350IF-2-K Input: 100-240VAC Output: 350mA Max.: 12W	4 pcs 4 pcs 4 pcs 4 pcs