

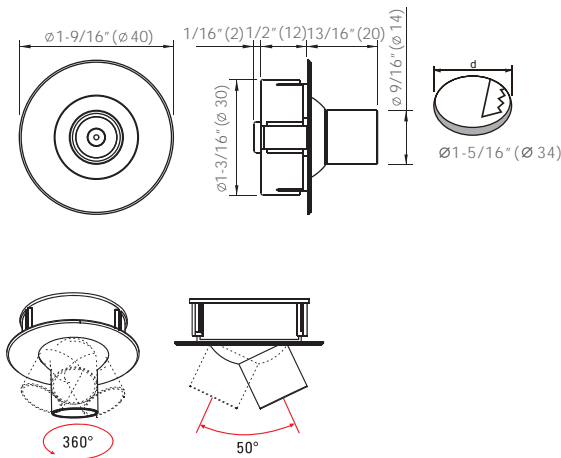
LED Recessed Lighting



SWOT



Dimensions: (inches/mm)



Characteristics:

- Recessed display light with adjustable lamp head
- Lifetime : 50,000 hrs (ta=77°F, 25°C)
- ta: -4°F ~ 95°F (-20°C ~ 35°C)
- CCT: 3000K 4000K 5000K
- Material: aluminum alloy

Housing colour:

Application:

Ideal for jewelry, display cases, and cabinets

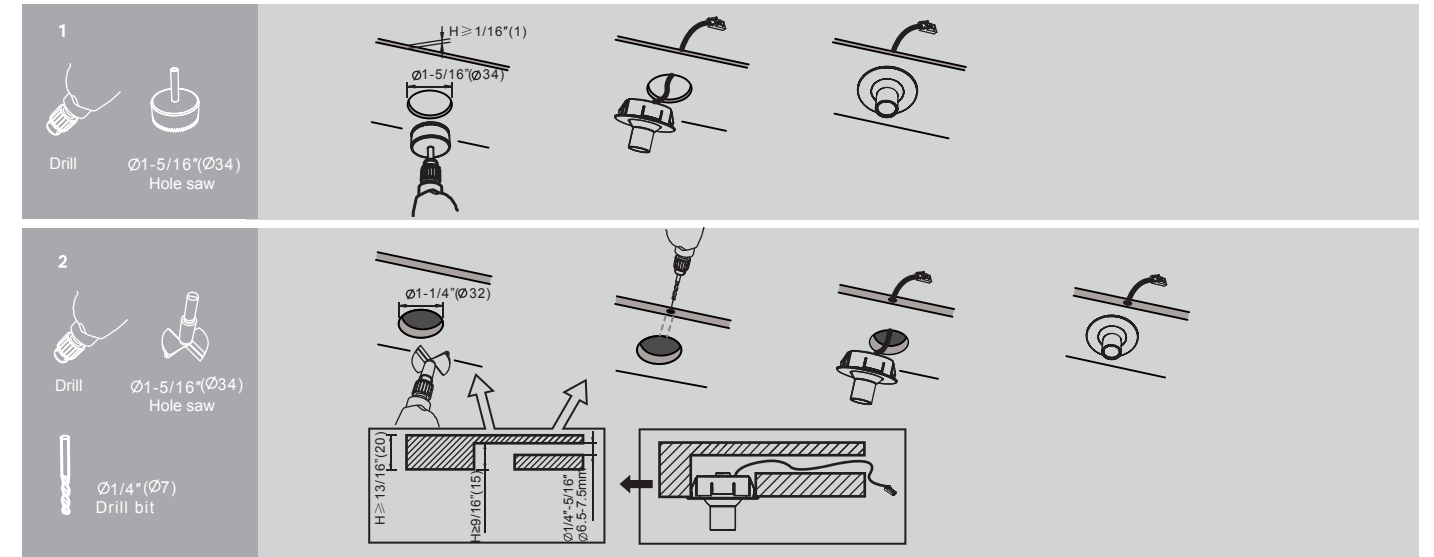
Model	IN	W	Beam	Image
SWOT-R1-500-RB	500mA	1.8W	15°	

LED Recessed Lighting

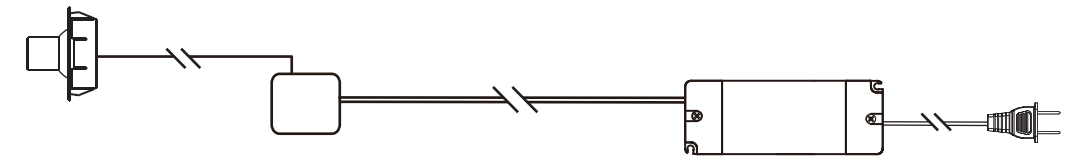
Vertical & Horizontal Beamwidth

Beamwidth	Horizontal (D)	Vertical (H)	2700K	3000K	4000K	5000K	6500K
12"	3-3/16"	15°	631	668	729	751	668
18"	4-3/4"		280	297	324	334	297
24"	6-5/16"		158	167	182	188	167
30"	7-7/8"		101	107	117	120	107
			76 lm	80 lm	87 lm	90 lm	80 lm

Installation:

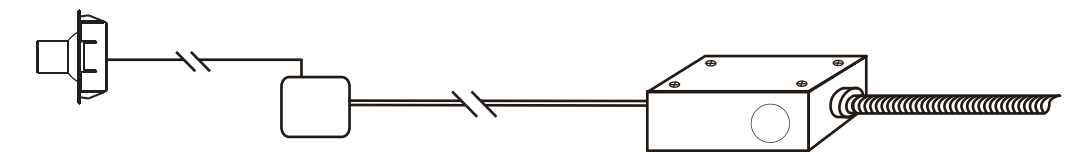


Wiring diagram:



Model	Splitter	LED Power Supply	Cable + Plug	Max. Runs
SWOT-R1-500-RB	 JBI-4A L=5-15/16" (150mm)	 SLT12-500IF-2-K Input:100-240VAC Output:500mA Max.:12W	 L=59" (1500mm)	4 pcs

Wiring diagram:



Model	Splitter	LED Power Supply	Max. Runs
SWOT-R1-500-RB	 JBI-4A L=5-15/16" (150mm)	 SLT12-500IF-2-K Input:100-240VAC Output:500mA Max.:12W	4 pcs