

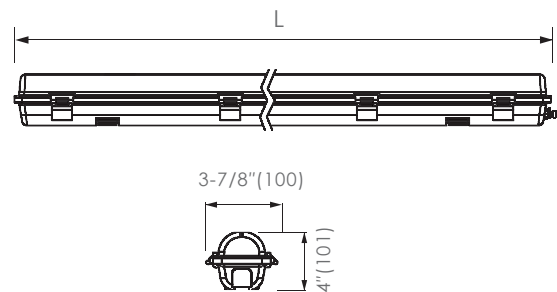


HORIZON



IP65

Dimensions: (inches/mm)



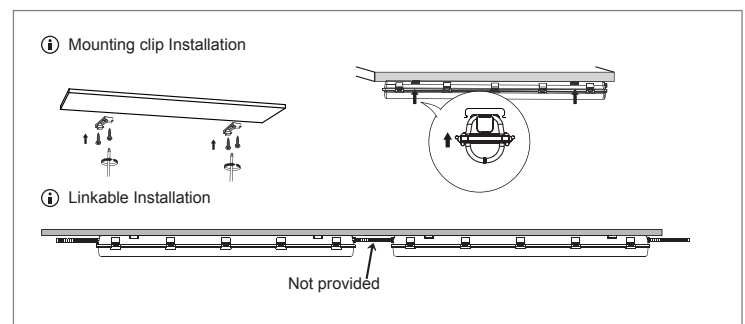
Highlights:

- Even Light Distribution
- Tool-less slide-in structure for easy installation.
- Linkable, Max Linkable length:75'
- Lifetime: 50,000hrs($t_a=95^{\circ}\text{F}$, 35°C)
- IP Rating: IP65(for wet locations)
- T_a : $-13^{\circ}\text{F}\sim 95^{\circ}\text{F}$ ($-25^{\circ}\text{C}\sim 35^{\circ}\text{C}$)
- Material: PC

Application:

- Ideal for walk-in coolers, parking deck, facility.

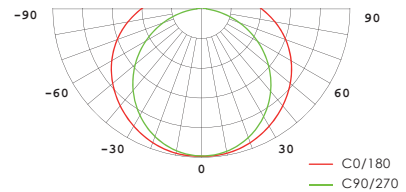
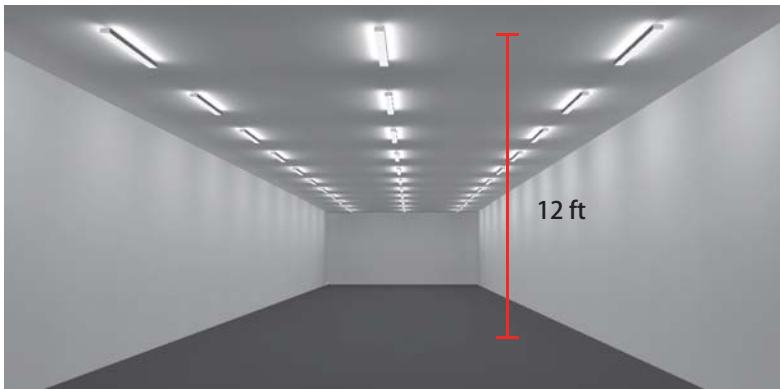
Installation:



Walk-in Cooler Lighting

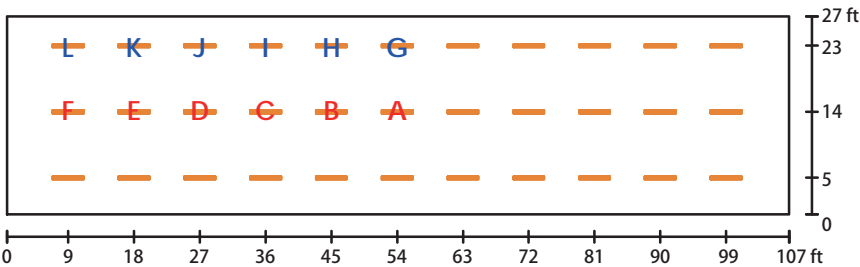


Spacing Distribution of Illuminance

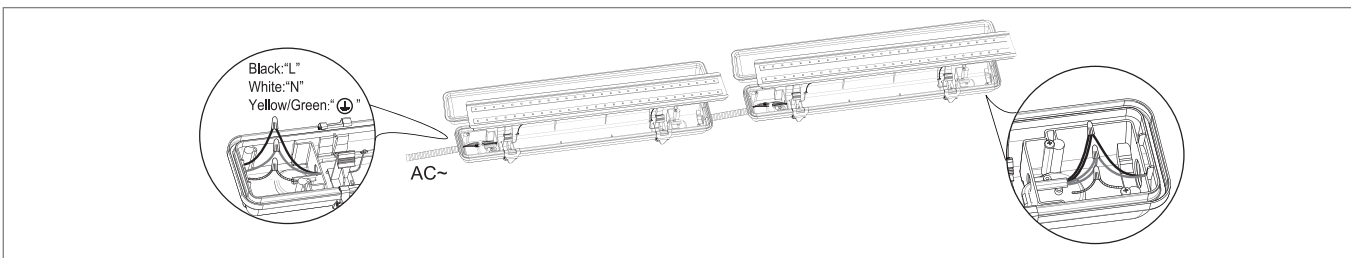


AVERAGE BEAM ANGLE (50%) : 120 DEG

Distance to Floor	0'	3'
A	40 FC	44 FC
B	40 FC	44 FC
C	39 FC	44 FC
D	38 FC	43 FC
E	36 FC	42 FC
F	30 FC	35 FC
G	35 FC	40 FC
H	35 FC	39 FC
I	35 FC	39 FC
J	34 FC	39 FC
K	32 FC	37 FC
L	27 FC	32 FC



Wiring diagram:



How to order (using our catalog numbers):
(Example: HORIZON-2630K110GC0L)

Series	length	Color Temp	Beam Angle	Finish	Installation	Linkable
HORIZON	26 - 25.9"(658mm) 50 - 49.9"(1268mm)	40K - 4000K 50K - 5000K	110 - 110°	G - Green	C0 - Clip mounting 0°	L - Linkable

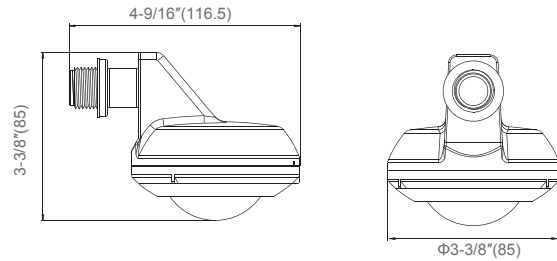
Catalog No.	Model	Description				
		Rated Input	Ra	Wattage (TYP)	Luminous Flux(TYP@4000K)	Include
HORIZON-2640K110GC0L	HORIZON-L56-277V-1	120~277VAC	85	20W	2000 lm	1pc LED fixture 2pcs Mounting clips 2pcs Expansion screws 2pcs Screws 3pcs wire nuts
HORIZON-2650K110GC0L						
HORIZON-5040K110GC0L	HORIZON-L112-277V-1	120~277VAC	85	40W	4000 lm	
HORIZON-5050K110GC0L						

SHA-B-277V (Occupancy Sensor)



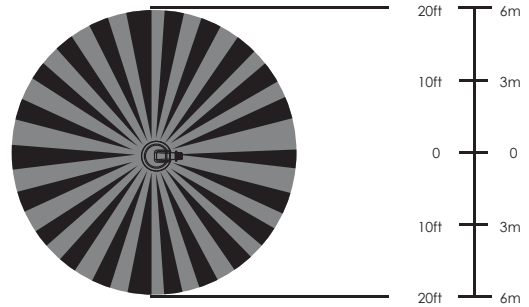
Coming soon...

Dimensions: (inches/mm)



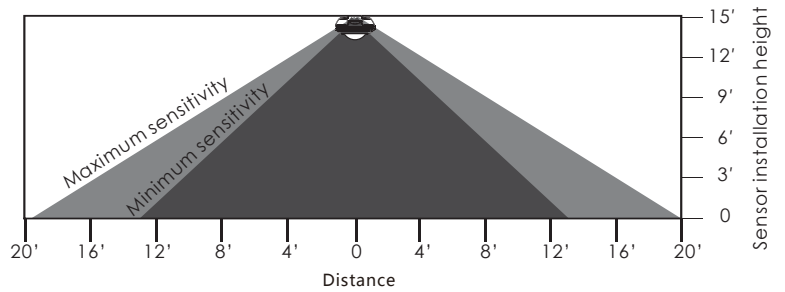
Highlights:

- Human-body detection sensor
- Brightness adjustable
- Time delay selectable
- Coverage pattern adjustable up to 20 feet
- DIP switch simplifies sensor adjustments
- Lifetime: 50,000hrs (ta=95°F, 35°C)
- Ta: 32°F~95°F(0°C~35°C)
- Material: PC



How to order(using our catalog numbers): (Example:SHA-B-277V)

Series		Finish
SHA-B-277V	-	
SHA-B-277V		W - White

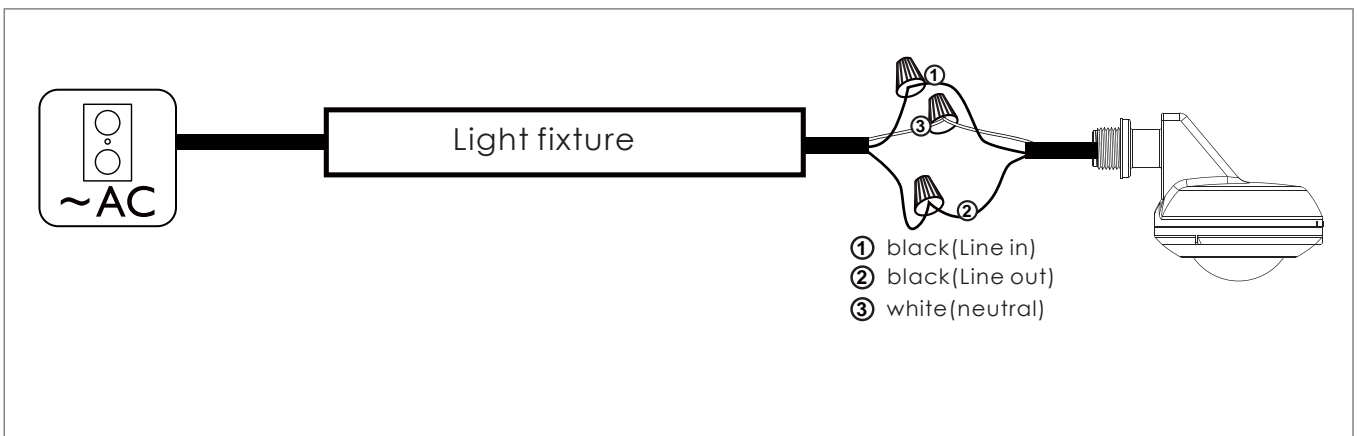


Characteristics:

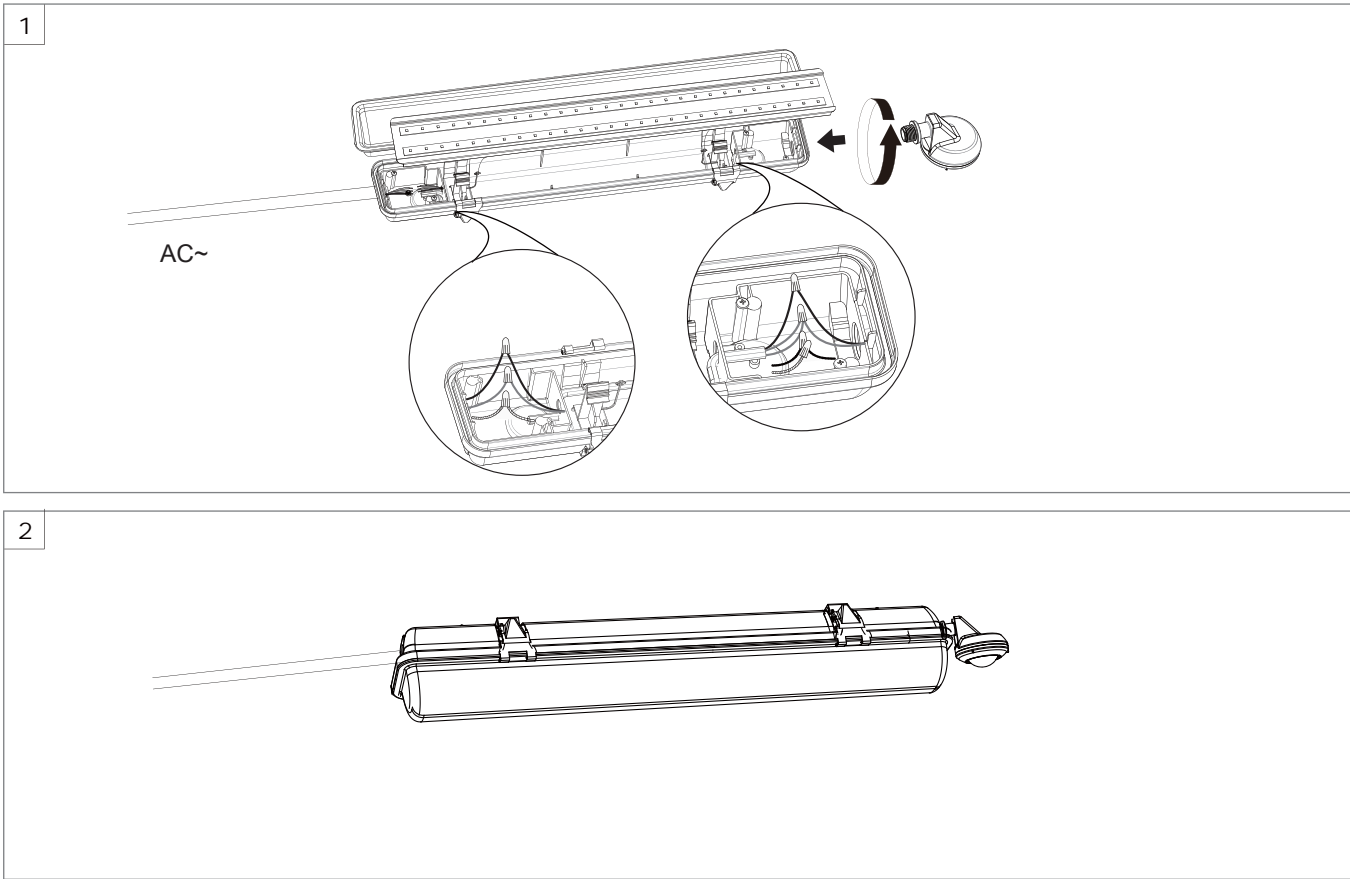
Model No.	Rated Input	Max. Detection Range(ft)	Daylight Sensor Set Point Levels	Delay Time(min)	Brightness
SHA-B-277V	120-277VAC	≥20', ≥13 (2 levels for choosing)	High, Mid, Low, disable* (4 levels for choosing)	4, 8, 16, 30 (4 levels for choosing)	10%*, 50% (2 levels for choosing)

NOTE: *default setting

Wiring diagram:



Installation:



Function Description:



☐=UP ☐=DOWN

Mode	1	Daylight	2 3	Sensitivity	4	Brightness Level	5	Dimming Mode	6	Delay Time	7 8
Manual off	☐	High	☐☐	Minimum	☐	50%	☐	Off	☐	30 Minute	☐☐
Auto	☐	Medium	☐☐	Maximum	☐	10%	☐	Dimming	☐	16 Minute	☐☐
		Low	☐☐							4 Minute	☐☐
		Disable	☐☐							8 Minute	☐☐

Mode: when choosing "Manual off" the system will be in off state, when choosing "Auto" the system will be in working state.

Daylight: when the actual daylight is higher than the preset daylight mode, the light will be in off state.

In "Auto" mode you can follow the optional function below:

1. Upon initial plug in, the fixture will turn on at 100% brightness for 20 seconds.

2. The light will be at 100% brightness level once the sensor detects the occupants. When the sensor no longer detects the occupants, after the 1st delay time, the light will change to the preset brightness level.

3. When the sensor no longer receives any signal, after 2nd delay time, the light will turn off completely.

Notes:

when choosing "Off" mode, system will follow step 1,2,3.

when choosing "Dimming" mode, system will follow step 1,2.

The daylight, brightness level, delay time, etc are preset according to the form.

Automatic detecting function: Upon plug in, turn the mode from "Manual off" to "Auto", the preset function will carry on automatic detection.