

FUSES FOR SEMICONDUCTOR PROTECTION

NORTH AMERICAN AND EUROPEAN STANDARD TYPE SQB


SIZES 1, 2 AND 3



SIBA square body fuses type SQB are available in 3 different body sizes. Each size is available in various mounting styles for global applications. Variety in body sizes, mounting style and amp ratings allow the greatest flexibility in equipment design.

SIBA SQB fuses provide superior engineering for the protection of today's power semiconductors. The silicated process together with special shape and form of the pure silver melting elements give excellent results of low I^2t -values and high interrupting ratings. And they are the most reliable under high cycling load conditions.

All fuses can be fitted with microswitches.

Approvals:	 Recognition
Standards:	DIN 43653 DIN VDE 0636-40 IEC 60269-4 UL 248-13
Class:	aR
Voltage ratings:	AC 700 V / AC 1300 V
Current ratings:	50 up to 1600 A
Sizes:	1, 2 and 3
Tested at:	acc. IEC - $1.1 \times U_n$ acc. UL - $1.0 \times U_n$

Features / Benefits

- ▶ High interrupting rating 200 kA
- ▶ Very low I^2t -values
- ▶ Voltage ratings AC 690/700 V and AC 1250/1300 V
- ▶ Suitable for North American and European standard
- ▶ Reliable also at high cyclic loading
- ▶ Fuse bases and Accessories are available



FUSES FOR SEMICONDUCTOR PROTECTION

NORTH AMERICAN AND EUROPEAN STANDARD TYPE SQB SIZES 1, 2 AND 3

Selection Guide

AC 690/700 V

Size	Rated Voltage AC	Design	Indicator Type	Part No.	Type	Selector Guide Page	Techn. Data Page
1	690/700 V	US-Type short	without	20 617 31	SQB 1	URS 5	URS 69
1	690/700 V	US-Type short	for microswitch fitting	20 616 32	SQB 1	URS 6	URS 69
2	690/700 V	US-Type short	without	20 627 31	SQB 2	URS 7	URS 70
2	690/700 V	US-Type short	for microswitch fitting	20 626 32	SQB 2	URS 8	URS 70
3	690/700 V	US-Type short	without	20 637 31	SQB 3	URS 9	URS 71
3	690/700 V	US-Type short	for microswitch fitting	20 636 32	SQB 3	URS 10	URS 71
1	690/700 V	US-Type long	without	20 619 31	SQB 1	URS 11	URS 69
1	690/700 V	US-Type long	for microswitch fitting	20 618 32	SQB 1	URS 12	URS 69
2	690/700 V	US-Type long	without	20 629 31	SQB 2	URS 13	URS 70
2	690/700 V	US-Type long	for microswitch fitting	20 628 32	SQB 2	URS 14	URS 70
3	690/700 V	US-Type long	without	20 639 31	SQB 3	URS 15	URS 71
3	690/700 V	US-Type long	for microswitch fitting	20 638 32	SQB 3	URS 16	URS 71
1	690/700 V	UNC threads	without	20 663 31	SQB 1	URS 17	URS 69
1	690/700 V	UNC threads	for microswitch fitting	20 664 32	SQB 1	URS 18	URS 69
2	690/700 V	UNC threads	without	20 673 31	SQB 2	URS 19	URS 70
2	690/700 V	UNC threads	for microswitch fitting	20 674 32	SQB 2	URS 20	URS 70
3	690/700 V	UNC threads	without	20 683 31	SQB 3	URS 21	URS 71
3	690/700 V	UNC threads	for microswitch fitting	20 684 32	SQB 3	URS 22	URS 71
1	690/700 V	80 mm Fix. Center	without	20 610 31	SQB 1	URS 23	URS 69
1	690/700 V	80 mm Fix. Center	for microswitch fitting	20 612 32	SQB 1	URS 24	URS 69
2	690/700 V	80 mm Fix. Center	without	20 620 31	SQB 2	URS 25	URS 70
2	690/700 V	80 mm Fix. Center	for microswitch fitting	20 622 32	SQB 2	URS 26	URS 70
3	690/700 V	80 mm Fix. Center	without	20 630 31	SQB 3	URS 27	URS 71
3	690/700 V	80 mm Fix. Center	for microswitch fitting	20 632 32	SQB 3	URS 28	URS 72
1	690/700 V	110 mm Fix. Center	without	20 613 31	SQB 1	URS 29	URS 69
1	690/700 V	110 mm Fix. Center	for microswitch fitting	20 615 32	SQB 1	URS 30	URS 69
2	690/700 V	110 mm Fix. Center	without	20 623 31	SQB 2	URS 31	URS 70
2	690/700 V	110 mm Fix. Center	for microswitch fitting	20 625 32	SQB 2	URS 32	URS 70
3	690/700 V	110 mm Fix. Center	without	20 633 31	SQB 3	URS 33	URS 71
3	690/700 V	110 mm Fix. Center	for microswitch fitting	20 635 32	SQB 3	URS 34	URS 71
1	690/700 V	Metric threads	without	20 660 31	SQB 1	URS 35	URS 69
1	690/700 V	Metric threads	for microswitch fitting	20 661 32	SQB 1	URS 36	URS 69
2	690/700 V	Metric threads	without	20 670 31	SQB 2	URS 37	URS 70
2	690/700 V	Metric threads	for microswitch fitting	20 671 32	SQB 2	URS 38	URS 70
3	690/700 V	Metric threads	without	20 680 31	SQB 3	URS 39	URS 71
3	690/700 V	Metric threads	for microswitch fitting	20 681 32	SQB 3	URS 40	URS 71
2	690/700 V	Double-Barrel	for microswitch fitting	20 678 32	SQB 2	URS 41	URS 72
3	690/700 V	Double-Barrel	for microswitch fitting	20 688 32	SQB 3	URS 42	URS 73



FUSES FOR SEMICONDUCTOR PROTECTION

NORTH AMERICAN AND EUROPEAN STANDARD TYPE SQB SIZES 1, 2 AND 3

Selection Guide

AC 1250/1300 V

Size	Rated Voltage AC	Design	Indicator Type	Part No.	Type	Selector Guide Page	Techn. Data Page
1	1250/1300 V	US-Type long	without	20 719 31	SQB 1	URS 43	URS 74
1	1250/1300 V	US-Type long	for microswitch fitting	20 718 32	SQB 1	URS 44	URS 74
2	1250/1300 V	US-Type long	without	20 729 31	SQB 2	URS 45	URS 75
2	1250/1300 V	US-Type long	for microswitch fitting	20 728 32	SQB 2	URS 46	URS 75
3	1250/1300 V	US-Type long	without	20 739 31	SQB 3	URS 47	URS 76
3	1250/1300 V	US-Type long	for microswitch fitting	20 738 32	SQB 3	URS 48	URS 76
1	1250/1300 V	UNC threads	without	20 763 31	SQB 1	URS 49	URS 74
1	1250/1300 V	UNC threads	for microswitch fitting	20 764 32	SQB 1	URS 50	URS 74
2	1250/1300 V	UNC threads	without	20 773 31	SQB 2	URS 51	URS 75
2	1250/1300 V	UNC threads	for microswitch fitting	20 774 32	SQB 2	URS 52	URS 75
3	1250/1300 V	UNC threads	without	20 783 31	SQB 3	URS 53	URS 76
3	1250/1300 V	UNC threads	for microswitch fitting	20 784 32	SQB 3	URS 54	URS 76
1	1250/1300 V	110 mm Fix. Center	without	20 713 31	SQB 1	URS 55	URS 74
1	1250/1300 V	110 mm Fix. Center	for microswitch fitting	20 715 32	SQB 1	URS 56	URS 74
2	1250/1300 V	110 mm Fix. Center	without	20 723 31	SQB 2	URS 57	URS 75
2	1250/1300 V	110 mm Fix. Center	for microswitch fitting	20 725 32	SQB 2	URS 58	URS 75
3	1250/1300 V	110 mm Fix. Center	without	20 733 31	SQB 3	URS 59	URS 76
3	1250/1300 V	110 mm Fix. Center	for microswitch fitting	20 735 32	SQB 3	URS 60	URS 76
1	1250/1300 V	Metric threads	without	20 760 31	SQB 1	URS 61	URS 74
1	1250/1300 V	Metric threads	for microswitch fitting	20 761 32	SQB 1	URS 62	URS 74
2	1250/1300 V	Metric threads	without	20 770 31	SQB 2	URS 63	URS 75
2	1250/1300 V	Metric threads	for microswitch fitting	20 771 32	SQB 2	URS 64	URS 75
3	1250/1300 V	Metric threads	without	20 780 31	SQB 3	URS 65	URS 76
3	1250/1300 V	Metric threads	for microswitch fitting	20 781 32	SQB 3	URS 66	URS 76
2	1250/1300 V	Metric threads	Double-Barrel	20 778 32	SQB 2	URS 67	URS 77
3	1250/1300 V	Metric threads	Double-Barrel	20 788 32	SQB 3	URS 68	URS 78



FUSES FOR SEMICONDUCTOR PROTECTION
NORTH AMERICAN AND EUROPEAN STANDARD TYPE SQB SIZES 1, 2 AND 3

Selection Guide

Fuse Base

Rated Voltage AC	Fixing Center	Rated Current	Part No.	Techn Data Page
900 V	80 mm	630 A	21 313 01	URS 79
1400 V	110 mm	630 A	21 323 01	URS 79
900 V	80 mm	1250 A	21 313 02	URS 80
1400 V	110 mm	1250 A	21 323 02	URS 80

Selection Guide

Microswitch

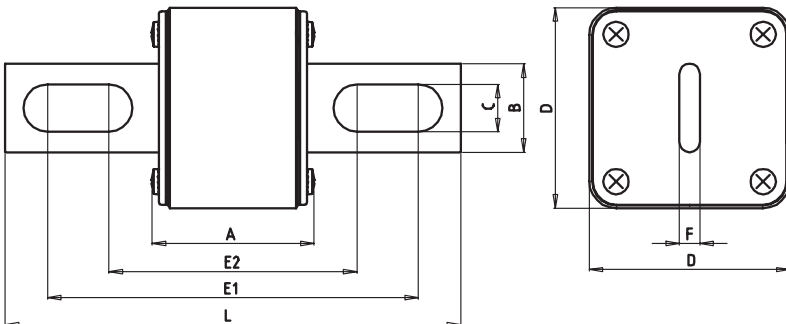
Rated Current AC	Rated Voltage AC	Contact	Part No.	Techn Data Page
10 A	250 V	1 change over	28 001 04	URS 81



FUSES FOR SEMICONDUCTOR PROTECTION
NORTH AMERICAN AND EUROPEAN STANDARD TYPE SQB

Size 1 **Rated voltage AC 600-690/700 V** **Standard US-Type short**

Rated current	Part No.	UL Rec.	Rated Voltage AC	Weight (kg/100)	Pack
63 A	20 617 31	✓	690/700 V	52	2
80 A	20 617 31	✓	690/700 V	52	2
100 A	20 617 31	✓	690/700 V	52	2
125 A	20 617 31	✓	690/700 V	52	2
160 A	20 617 31	✓	690/700 V	52	2
200 A	20 617 31	✓	690/700 V	52	2
250 A	20 617 31	✓	690/700 V	52	2
315 A	20 617 31	✓	690/700 V	52	2
350 A	20 617 31	✓	690/700 V	52	2
400 A	20 617 31	✓	690/700 V	52	2
450 A	20 617 31	✓	690/700 V	52	2
500 A	20 617 31	✓	690/700 V	52	2
630 A	20 617 31	✓	690/700 V	52	2
700 A	20 617 31	✓	690/700 V	52	2
800 A	20 617 31	✓	690/700 V	52	2
900 A	20 617 31	✓	600 V	52	2



- A** 1.87" (47.5 mm)
- B** 1.02" (26 mm)
- C** 0.55" (14 mm)
- D** 2.00" (51 mm)
- E1** 4.29" (109 mm)
- E2** 2.87" (73 mm)
- F** 0.24" (6 mm)
- L** 5.28" (134 mm)

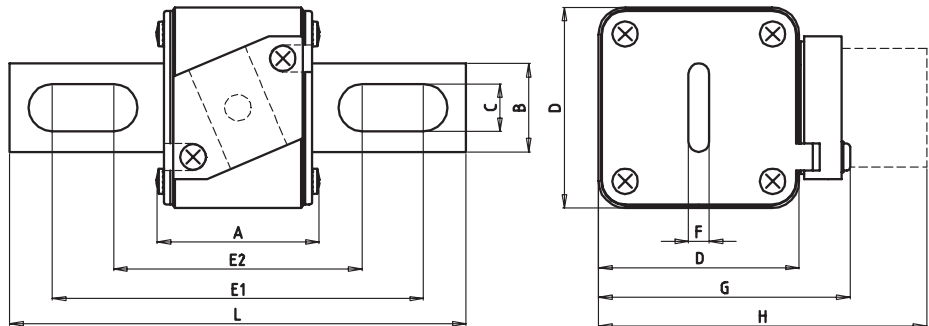


FUSES FOR SEMICONDUCTOR PROTECTION
NORTH AMERICAN AND EUROPEAN STANDARD TYPE SQB

Size 1	Rated voltage AC 600-690/700 V	Microswitch fitting	Standard US-Type short
-------------------------	---	--------------------------------------	---

Rated current	Part No.	UL Rec.	Rated Voltage AC	Weight (kg/100)	Pack
63 A	20 616 32	✓	690/700 V	52	2
80 A	20 616 32	✓	690/700 V	52	2
100 A	20 616 32	✓	690/700 V	52	2
125 A	20 616 32	✓	690/700 V	52	2
160 A	20 616 32	✓	690/700 V	52	2
200 A	20 616 32	✓	690/700 V	52	2
250 A	20 616 32	✓	690/700 V	52	2
315 A	20 616 32	✓	690/700 V	52	2
350 A	20 616 32	✓	690/700 V	52	2
400 A	20 616 32	✓	690/700 V	52	2
450 A	20 616 32	✓	690/700 V	52	2
500 A	20 616 32	✓	690/700 V	52	2
630 A	20 616 32	✓	690/700 V	52	2
700 A	20 616 32	✓	690/700 V	52	2
800 A	20 616 32	✓	690/700 V	52	2
900 A	20 616 32	✓	600 V	52	2

- A** 1.87" (47.5 mm)
- B** 1.02" (26 mm)
- C** 0.55" (14 mm)
- D** 2.00" (51 mm)
- E1** 4.29" (109 mm)
- E2** 2.87" (73 mm)
- F** 0.24" (6 mm)
- G** 2.60" (66 mm)
- H** 3.50" (89 mm)
- L** 5.28" (134 mm)

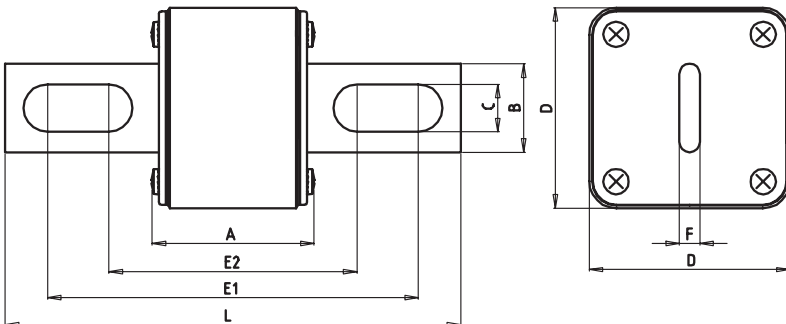




FUSES FOR SEMICONDUCTOR PROTECTION
NORTH AMERICAN AND EUROPEAN STANDARD TYPE SQB

Size 2 **Rated voltage AC 600-690/700 V** **Standard US-Type short**

Rated current	Part No.	UL Rec.	Rated Voltage AC	Weight (kg/100)	Pack
400 A	20 627 31	✓	690/700 V	60	
450 A	20 627 31	✓	690/700 V	60	2
500 A	20 627 31	✓	690/700 V	60	2
550 A	20 627 31	✓	690/700 V	60	2
630 A	20 627 31	✓	690/700 V	60	2
700 A	20 627 31	✓	690/700 V	60	2
800 A	20 627 31	✓	690/700 V	60	2
900 A	20 627 31	✓	690/700 V	60	2
1000 A	20 627 31	✓	690/700 V	60	2
1100 A	20 627 31	✓	600 V	60	2
1250 A	20 627 31	✓	600 V	60	2



- A** 1.87" (47.5 mm)
- B** 1.02" (26 mm)
- C** 0.55" (14 mm)
- D** 2.36" (60 mm)
- E1** 4.30" (109 mm)
- E2** 2.87" (73 mm)
- F** 0.24" (6 mm)
- L** 5.28" (134 mm)



FUSES FOR SEMICONDUCTOR PROTECTION
NORTH AMERICAN AND EUROPEAN STANDARD TYPE SQB

Size
2

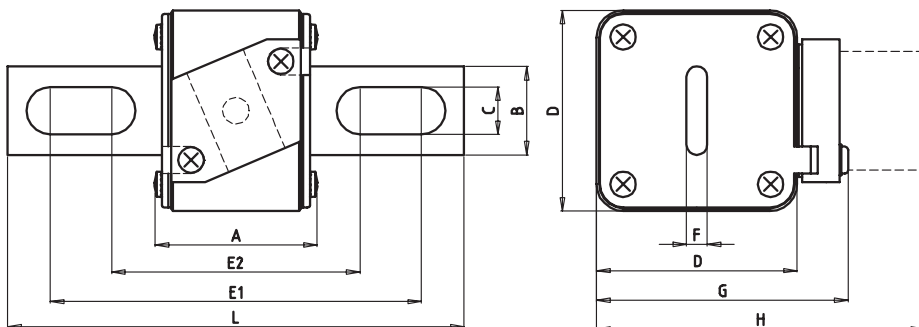
Rated voltage
AC 600-690/700 V

Microswitch
fitting

Standard
US-Type short

Rated current	Part No.	UL Rec.	Rated Voltage AC	Weight (kg/100)	Pack
400 A	20 626 32	✓	690/700 V	60	
450 A	20 626 32	✓	690/700 V	60	2
500 A	20 626 32	✓	690/700 V	60	2
550 A	20 626 32	✓	690/700 V	60	2
630 A	20 626 32	✓	690/700 V	60	2
700 A	20 626 32	✓	690/700 V	60	2
800 A	20 626 32	✓	690/700 V	60	2
900 A	20 626 32	✓	690/700 V	60	2
1000 A	20 626 32	✓	690/700 V	60	2
1100 A	20 626 32	✓	600 V	60	2
1250 A	20 626 32	✓	600 V	60	2

- A 1.87" (47.5 mm)
- B 1.02" (26 mm)
- C 0.55" (14 mm)
- D 2.36" (60 mm)
- E1 4.30" (109 mm)
- E2 2.87" (73 mm)
- F 0.24" (6 mm)
- G 2.95" (75 mm)
- H 3.86" (98 mm)
- L 5.28" (134 mm)

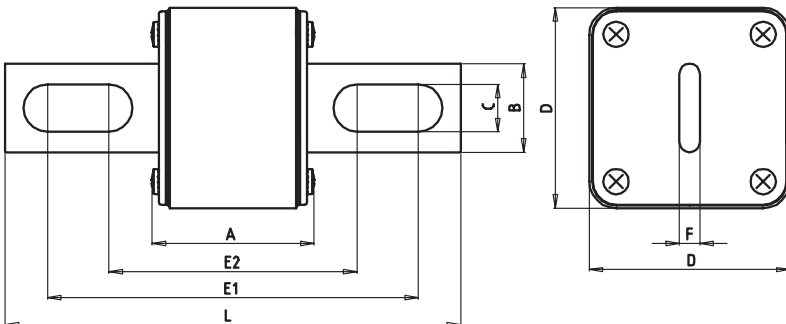




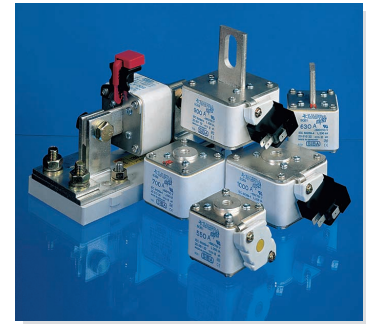
FUSES FOR SEMICONDUCTOR PROTECTION
NORTH AMERICAN AND EUROPEAN STANDARD TYPE SQB

Size 3 **Rated voltage AC 600-690/700 V** **Standard US-Type short**

Rated current	Part No.	UL Rec.	Rated Voltage AC	Weight (kg/100)	Pack
500 A	20 637 31	✓	690/700 V	80	2
550 A	20 637 31	✓	690/700 V	80	2
630 A	20 637 31	✓	690/700 V	80	2
700 A	20 637 31	✓	690/700 V	80	2
800 A	20 637 31	✓	690/700 V	80	2
900 A	20 637 31	✓	690/700 V	80	2
1000 A	20 637 31	✓	690/700 V	80	2
1100 A	20 637 31	✓	690/700 V	80	2
1250 A	20 637 31	✓	690/700 V	80	2
1400 A	20 637 31	✓	690/700 V	80	2
1500 A	20 637 31		600 V	80	2
1600 A	20 637 31		600 V	80	2



A	1.93" (49 mm)
B	1.38" (35 mm)
C	0.63" (16 mm)
D	2.87" (73 mm)
E1	4.30" (109 mm)
E2	2.95" (75 mm)
F	0.24" (6 mm)
L	5.28" (134 mm)

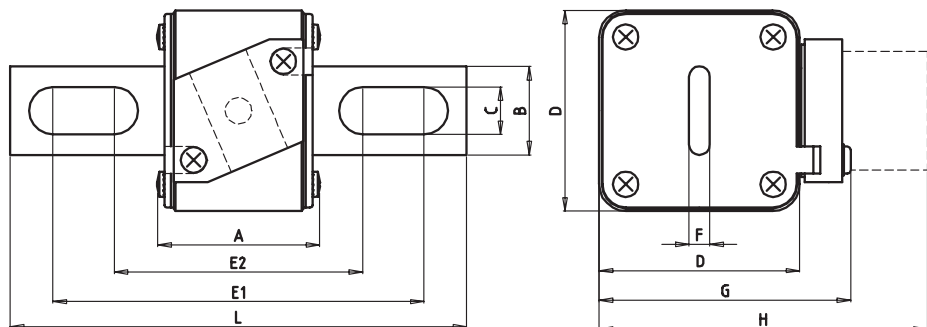


FUSES FOR SEMICONDUCTOR PROTECTION
NORTH AMERICAN AND EUROPEAN STANDARD TYPE SQB

Size 3 **Rated voltage AC 600-690/700 V** **Microswitch fitting** **Standard US-Type short**

Rated current	Part No.	UL Rec.	Rated Voltage AC	Weight (kg/100)	Pack
500 A	20 636 32	✓	690/700 V	80	2
550 A	20 636 32	✓	690/700 V	80	2
630 A	20 636 32	✓	690/700 V	80	2
700 A	20 636 32	✓	690/700 V	80	2
800 A	20 636 32	✓	690/700 V	80	2
900 A	20 636 32	✓	690/700 V	80	2
1000 A	20 636 32	✓	690/700 V	80	2
1100 A	20 636 32	✓	690/700 V	80	2
1250 A	20 636 32	✓	690/700 V	80	2
1400 A	20 636 32	✓	690/700 V	80	2
1500 A	20 636 32		600 V	80	2
1600 A	20 636 32		600 V	80	2

- A** 1.93" (49 mm)
- B** 1.38" (35 mm)
- C** 0.63" (16 mm)
- D** 2.87" (73 mm)
- E1** 4.30" (109 mm)
- E2** 2.95" (75 mm)
- F** 0.24" (6 mm)
- G** 3.46" (88 mm)
- H** 4.37" (111 mm)
- L** 5.28" (134 mm)

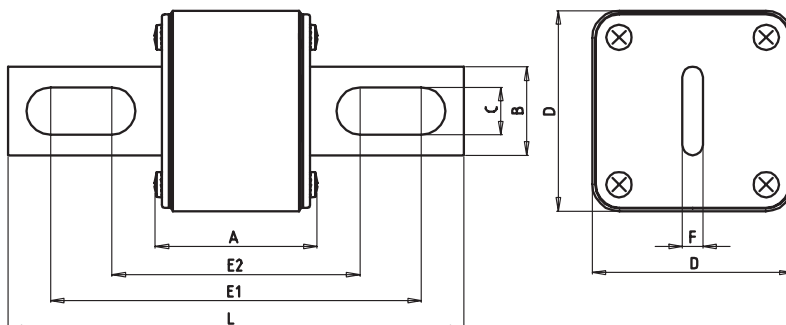




FUSES FOR SEMICONDUCTOR PROTECTION
NORTH AMERICAN AND EUROPEAN STANDARD TYPE SQB

Size 1 **Rated voltage AC 600-690/700 V** **Standard US-Type long**

Rated current	Part No.	UL Rec.	Rated Voltage AC	Weight (kg/100)	Pack
63 A	20 619 31	✓	690/700 V	52	2
80 A	20 619 31	✓	690/700 V	52	2
100 A	20 619 31	✓	690/700 V	52	2
125 A	20 619 31	✓	690/700 V	52	2
160 A	20 619 31	✓	690/700 V	52	2
200 A	20 619 31	✓	690/700 V	52	2
250 A	20 619 31	✓	690/700 V	52	2
315 A	20 619 31	✓	690/700 V	52	2
350 A	20 619 31	✓	690/700 V	52	2
400 A	20 619 31	✓	690/700 V	52	2
450 A	20 619 31	✓	690/700 V	52	2
500 A	20 619 31	✓	690/700 V	52	2
630 A	20 619 31	✓	690/700 V	52	2
700 A	20 619 31	✓	690/700 V	52	2
800 A	20 619 31	✓	690/700 V	52	2
900 A	20 619 31	✓	600 V	52	2



A	1.87" (47.5 mm)
B	1.02" (26 mm)
C	0.55" (14 mm)
D	2.00" (51 mm)
E1	5.04" (128 mm)
E2	3.62" (92 mm)
F	0.24" (6 mm)
L	6.06" (154 mm)

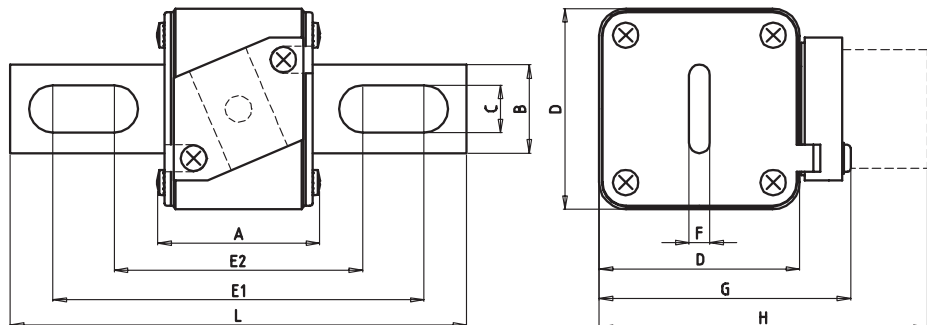


FUSES FOR SEMICONDUCTOR PROTECTION
NORTH AMERICAN AND EUROPEAN STANDARD TYPE SQB

Size 1	Rated voltage AC 600-690/700 V	Microswitch fitting	Standard US-Type long
-------------------------	---	--------------------------------------	--

Rated current	Part No.	UL Rec.	Rated Voltage AC	Weight (kg/100)	Pack
63 A	20 618 32	✓	690/700 V	52	2
80 A	20 618 32	✓	690/700 V	52	2
100 A	20 618 32	✓	690/700 V	52	2
125 A	20 618 32	✓	690/700 V	52	2
160 A	20 618 32	✓	690/700 V	52	2
200 A	20 618 32	✓	690/700 V	52	2
250 A	20 618 32	✓	690/700 V	52	2
315 A	20 618 32	✓	690/700 V	52	2
350 A	20 618 32	✓	690/700 V	52	2
400 A	20 618 32	✓	690/700 V	52	2
450 A	20 618 32	✓	690/700 V	52	2
500 A	20 618 32	✓	690/700 V	52	2
630 A	20 618 32	✓	690/700 V	52	2
700 A	20 618 32	✓	690/700 V	52	2
800 A	20 618 32	✓	690/700 V	52	2
900 A	20 618 32	✓	600 V	52	2

- A** 1.87" (47.5 mm)
- B** 1.02" (26 mm)
- C** 0.55" (14 mm)
- D** 2.01" (51 mm)
- E1** 5.04" (128 mm)
- E2** 3.62" (92 mm)
- F** 0.24" (6 mm)
- G** 2.60" (66 mm)
- H** 3.50" (98 mm)
- L** 6.06" (154 mm)

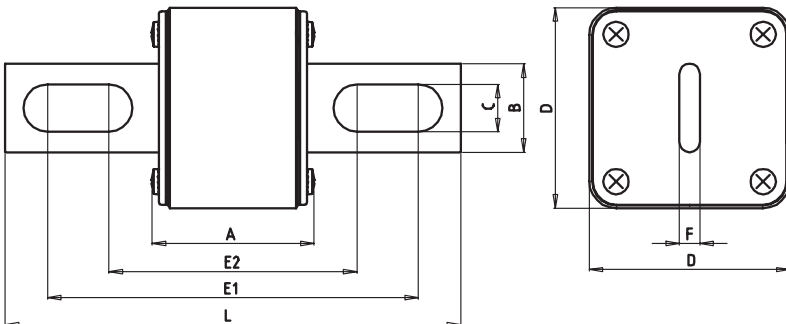




FUSES FOR SEMICONDUCTOR PROTECTION
NORTH AMERICAN AND EUROPEAN STANDARD TYPE SQB

Size 2 **Rated voltage AC 600-690/700 V** **Standard US-Type long**

Rated current	Part No.	UL Rec.	Rated Voltage AC	Weight (kg/100)	Pack
400 A	20 629 31	✓	690/700 V	60	2
450 A	20 629 31	✓	690/700 V	60	2
500 A	20 629 31	✓	690/700 V	60	2
550 A	20 629 31	✓	690/700 V	60	2
630 A	20 629 31	✓	690/700 V	60	2
700 A	20 629 31	✓	690/700 V	60	2
800 A	20 629 31	✓	690/700 V	60	2
900 A	20 629 31	✓	690/700 V	60	2
1000 A	20 629 31	✓	690/700 V	60	2
1100 A	20 629 31	✓	600 V	60	2
1250 A	20 629 31	✓	600 V	60	2



- A** 1.87" (47.5 mm)
- B** 1.02" (26 mm)
- C** 0.55" (14 mm)
- D** 2.36" (60 mm)
- E1** 5.04" (128 mm)
- E2** 3.62" (92 mm)
- F** 0.24" (6 mm)
- L** 5.28" (134 mm)

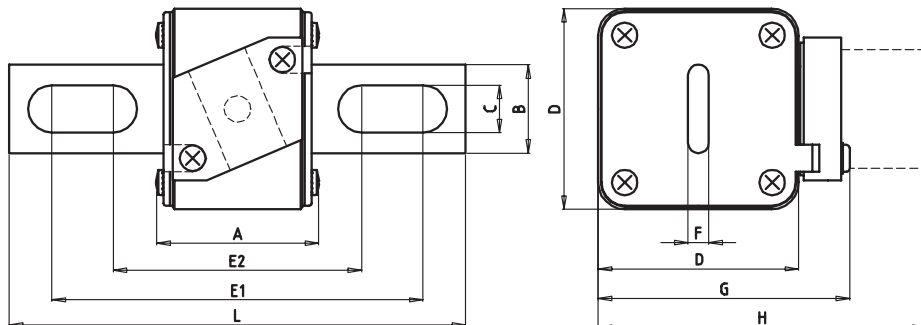


FUSES FOR SEMICONDUCTOR PROTECTION
NORTH AMERICAN AND EUROPEAN STANDARD TYPE SQB

Size 2 **Rated voltage AC 600-690/700 V** **Microswitch fitting** **Standard US-Type long**

Rated current	Part No.	UL Rec.	Rated Voltage AC	Weight (kg/100)	Pack
400 A	20 628 32	✓	690/700 V	60	2
450 A	20 628 32	✓	690/700 V	60	2
500 A	20 628 32	✓	690/700 V	60	2
550 A	20 628 32	✓	690/700 V	60	2
630 A	20 628 32	✓	690/700 V	60	2
700 A	20 628 32	✓	690/700 V	60	2
800 A	20 628 32	✓	690/700 V	60	2
900 A	20 628 32	✓	690/700 V	60	2
1000 A	20 628 32	✓	690/700 V	60	2
1100 A	20 628 32	✓	600 V	60	2
1250 A	20 628 32	✓	600 V	60	2

- A** 1.87" (47.5 mm)
- B** 1.02" (26 mm)
- C** 0.55" (14 mm)
- D** 2.36" (60 mm)
- E1** 5.04" (128 mm)
- E2** 3.62" (92 mm)
- F** 0.24" (6 mm)
- G** 2.95" (75 mm)
- H** 3.86" (98 mm)
- L** 6.06" (154 mm)

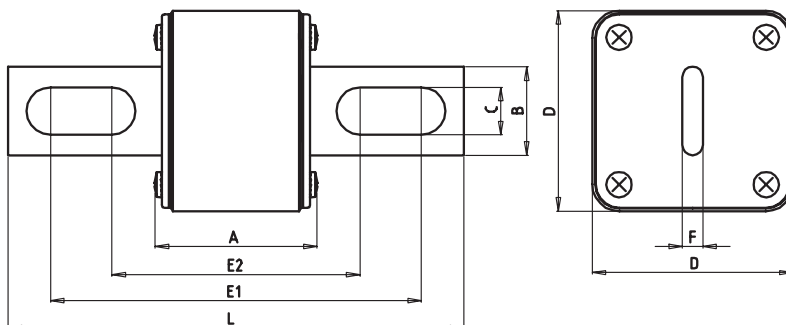




FUSES FOR SEMICONDUCTOR PROTECTION
NORTH AMERICAN AND EUROPEAN STANDARD TYPE SQB

Size 3 **Rated voltage AC 600-690/700 V** **Standard US-Type long**

Rated current	Part No.	UL Rec.	Rated Voltage AC	Weight (kg/100)	Pack
500 A	20 639 31	✓	690/700 V	80	2
550 A	20 639 31	✓	690/700 V	80	2
630 A	20 639 31	✓	690/700 V	80	2
700 A	20 639 31	✓	690/700 V	80	2
800 A	20 639 31	✓	690/700 V	80	2
900 A	20 639 31	✓	690/700 V	80	2
1000 A	20 639 31	✓	690/700 V	80	2
1100 A	20 639 31	✓	690/700 V	80	2
1250 A	20 639 31	✓	690/700 V	80	2
1400 A	20 639 31	✓	690/700 V	80	2
1500 A	20 639 31		600 V	80	2
1600 A	20 639 31		600 V	80	2



A	1.93" (49 mm)
B	1.38" (35 mm)
C	0.63" (16 mm)
D	2.87" (73 mm)
E1	5.04" (128 mm)
E2	3.70" (94 mm)
F	0.24" (6 mm)
L	5.28" (134 mm)

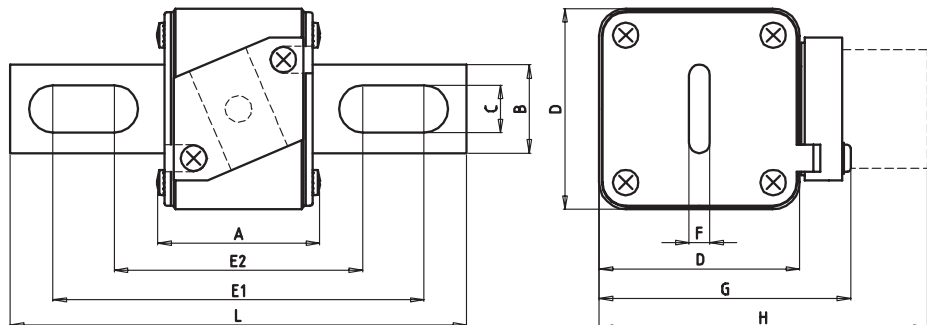


FUSES FOR SEMICONDUCTOR PROTECTION
NORTH AMERICAN AND EUROPEAN STANDARD TYPE SQB

Size 3 **Rated voltage AC 600-690/700 V** **Microswitch fitting** **Standard US-Type long**

Rated current	Part No.	UL Rec.	Rated Voltage AC	Weight (kg/100)	Pack
500 A	20 638 32	✓	690/700 V	80	2
550 A	20 638 32	✓	690/700 V	80	2
630 A	20 638 32	✓	690/700 V	80	2
700 A	20 638 32	✓	690/700 V	80	2
800 A	20 638 32	✓	690/700 V	80	2
900 A	20 638 32	✓	690/700 V	80	2
1000 A	20 638 32	✓	690/700 V	80	2
1100 A	20 638 32	✓	690/700 V	80	2
1250 A	20 638 32	✓	690/700 V	80	2
1400 A	20 638 32	✓	690/700 V	80	2
1500 A	20 638 32		600 V	80	2
1600 A	20 638 32		600 V	80	2

- A** 1.93" (49 mm)
- B** 1.38" (35 mm)
- C** 0.63" (16 mm)
- D** 2.87" (73 mm)
- E1** 5.04" (128 mm)
- E2** 3.70" (94 mm)
- F** 0.24" (6 mm)
- G** 3.46" (88 mm)
- H** 4.37" (111 mm)
- L** 6.06" (154 mm)

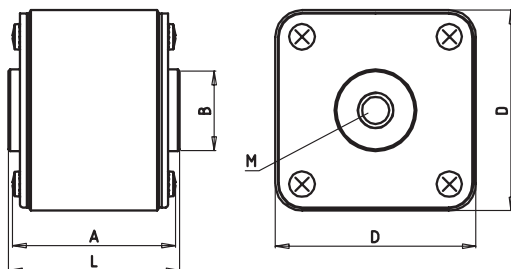




FUSES FOR SEMICONDUCTOR PROTECTION
NORTH AMERICAN AND EUROPEAN STANDARD TYPE SQB

Size 1 **Rated voltage AC 600-690/700 V** **Standard UNC threads**

Rated current	Part No.	UL Rec.	Rated Voltage AC	Weight (kg/100)	Pack
63 A	20 663 31	✓	690/700 V	50	3
80 A	20 663 31	✓	690/700 V	50	3
100 A	20 663 31	✓	690/700 V	50	3
125 A	20 663 31	✓	690/700 V	50	3
160 A	20 663 31	✓	690/700 V	50	3
200 A	20 663 31	✓	690/700 V	50	3
250 A	20 663 31	✓	690/700 V	50	3
315 A	20 663 31	✓	690/700 V	50	3
350 A	20 663 31	✓	690/700 V	50	3
400 A	20 663 31	✓	690/700 V	50	3
450 A	20 663 31	✓	690/700 V	50	3
500 A	20 663 31	✓	690/700 V	50	3
630 A	20 663 31	✓	690/700 V	50	3
700 A	20 663 31	✓	690/700 V	50	3
800 A	20 663 31	✓	690/700 V	50	3
900 A	20 663 31	✓	600 V	50	3



A	1.87" (47.5 mm)
B	0.94" (24 mm)
D	2.00" (51 mm)
L	2.00" (51 mm)
M	5/16"

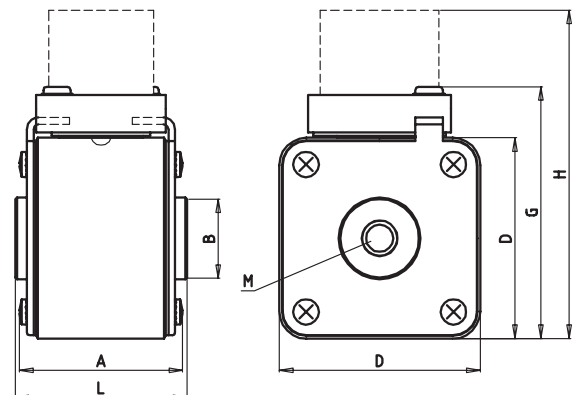


FUSES FOR SEMICONDUCTOR PROTECTION
NORTH AMERICAN AND EUROPEAN STANDARD TYPE SQB

Size 1	Rated voltage AC 600-690/700 V	Microswitch fitting	Standard UNC threads
-------------------------	---	--------------------------------------	---------------------------------------

Rated current	Part No.	UL Rec.	Rated Voltage AC	Weight (kg/100)	Pack
63 A	20 664 32	✓	690/700 V	50	3
80 A	20 664 32	✓	690/700 V	50	3
100 A	20 664 32	✓	690/700 V	50	3
125 A	20 664 32	✓	690/700 V	50	3
160 A	20 664 32	✓	690/700 V	50	3
200 A	20 664 32	✓	690/700 V	50	3
250 A	20 664 32	✓	690/700 V	50	3
315 A	20 664 32	✓	690/700 V	50	3
350 A	20 664 32	✓	690/700 V	50	3
400 A	20 664 32	✓	690/700 V	50	3
450 A	20 664 32	✓	690/700 V	50	3
500 A	20 664 32	✓	690/700 V	50	3
630 A	20 664 32	✓	690/700 V	50	3
700 A	20 664 32	✓	690/700 V	50	3
800 A	20 664 32	✓	690/700 V	50	3
900 A	20 664 32		600 V	50	3

A	1.87" (47.5 mm)
B	0.94" (24 mm)
D	2.00" (51 mm)
G	2.60" (66 mm)
H	3.50" (89 mm)
L	2.00" (51 mm)
M	5/16"

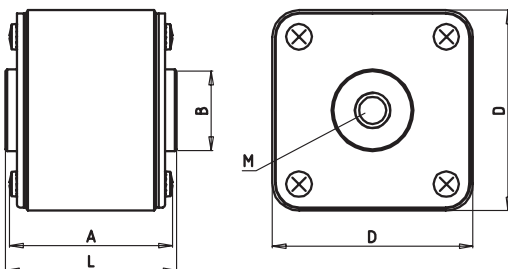




FUSES FOR SEMICONDUCTOR PROTECTION
NORTH AMERICAN AND EUROPEAN STANDARD TYPE SQB

Size 2 **Rated voltage AC 600-690/700 V** **Standard UNC threads**

Rated current	Part No.	UL Rec.	Rated Voltage AC	Weight (kg/100)	Pack
400 A	20 673 31	✓	690/700 V	50	3
450 A	20 673 31	✓	690/700 V	50	3
500 A	20 673 31	✓	690/700 V	50	3
550 A	20 673 31	✓	690/700 V	50	3
630 A	20 673 31	✓	690/700 V	50	3
700 A	20 673 31	✓	690/700 V	50	3
800 A	20 673 31	✓	690/700 V	50	3
900 A	20 673 31	✓	690/700 V	50	3
1000 A	20 673 31	✓	690/700 V	50	3
1100 A	20 673 31	✓	600 V	50	3
1250 A	20 673 31	✓	600 V	50	3



A	1.87" (47.5 mm)
B	0.94" (24 mm)
D	2.36" (60 mm)
L	2.00" (51 mm)
M	3/8"



FUSES FOR SEMICONDUCTOR PROTECTION
NORTH AMERICAN AND EUROPEAN STANDARD TYPE SQB

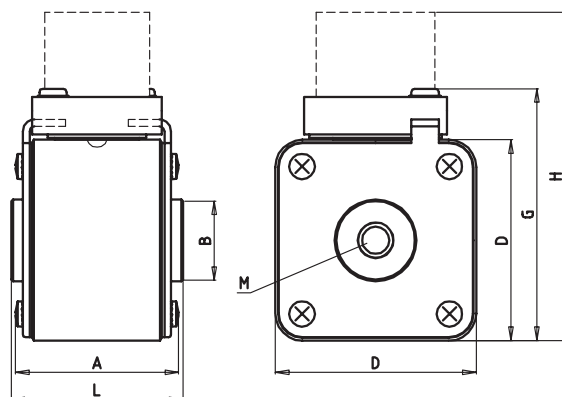
Size
2

Rated voltage
AC 600-690/700 V

Microswitch
fitting

Standard
UNC threads

Rated current	Part No.	UL Rec.	Rated Voltage AC	Weight (kg/100)	Pack
400 A	20 674 32	✓	690/700 V	50	3
450 A	20 674 32	✓	690/700 V	50	3
500 A	20 674 32	✓	690/700 V	50	3
550 A	20 674 32	✓	690/700 V	50	3
630 A	20 674 32	✓	690/700 V	50	3
700 A	20 674 32	✓	690/700 V	50	3
800 A	20 674 32	✓	690/700 V	50	3
900 A	20 674 32	✓	690/700 V	50	3
1000 A	20 674 32	✓	690/700 V	50	3
1100 A	20 674 32	✓	600 V	50	3
1250 A	20 674 32	✓	600 V	50	3



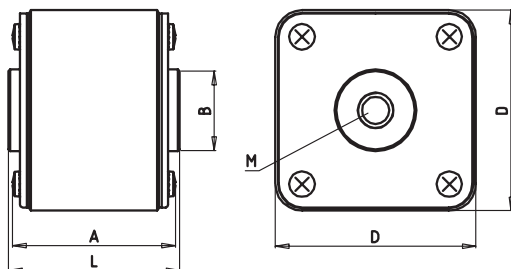
A	1.87" (47.5 mm)
B	0.94" (24 mm)
D	2.36" (60 mm)
G	2.95" (75 mm)
H	3.86" (98 mm)
L	2.00" (51 mm)
M	3/8"



FUSES FOR SEMICONDUCTOR PROTECTION
NORTH AMERICAN AND EUROPEAN STANDARD TYPE SQB

Size 3 **Rated voltage AC 600-690/700 V** **Standard UNC threads**

Rated current	Part No.	UL Rec.	Rated Voltage AC	Weight (kg/100)	Pack
500 A	20 683 31	✓	690/700 V	50	3
550 A	20 683 31	✓	690/700 V	50	3
630 A	20 683 31	✓	690/700 V	50	3
700 A	20 683 31	✓	690/700 V	50	3
800 A	20 683 31	✓	690/700 V	50	3
900 A	20 683 31	✓	690/700 V	50	3
1000 A	20 683 31	✓	690/700 V	50	3
1100 A	20 683 31	✓	690/700 V	50	3
1250 A	20 683 31	✓	690/700 V	50	3
1400 A	20 683 31	✓	690/700 V	50	3
1500 A	20 683 31		600 V	50	3
1600 A	20 683 31		600 V	50	3



A	1.93" (49 mm)
B	1.10" (28 mm)
D	2.87" (73 mm)
L	2.00" (51 mm)
M	1/2"



FUSES FOR SEMICONDUCTOR PROTECTION
NORTH AMERICAN AND EUROPEAN STANDARD TYPE SQB

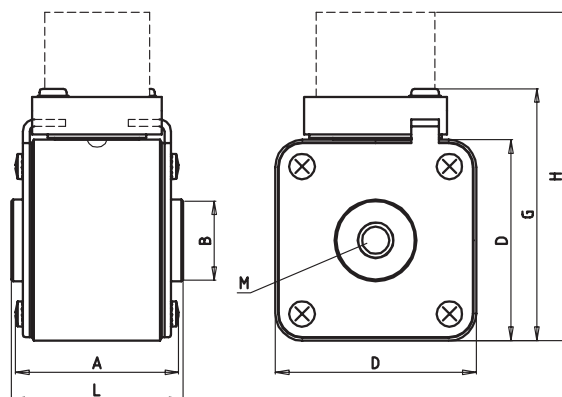
Size
3

Rated voltage
AC 600-690/700 V

Microswitch
fitting

Standard
UNC threads

Rated current	Part No.	UL Rec.	Rated Voltage AC	Weight (kg/100)	Pack
500 A	20 684 32	✓	690/700 V	50	3
550 A	20 684 32	✓	690/700 V	50	3
630 A	20 684 32	✓	690/700 V	50	3
700 A	20 684 32	✓	690/700 V	50	3
800 A	20 684 32	✓	690/700 V	50	3
900 A	20 684 32	✓	690/700 V	50	3
1000 A	20 684 32	✓	690/700 V	50	3
1100 A	20 684 32	✓	690/700 V	50	3
1250 A	20 684 32	✓	690/700 V	50	3
1400 A	20 684 32	✓	690/700 V	50	3
1500 A	20 684 32		600 V	50	3
1600 A	20 684 32		600 V	50	3



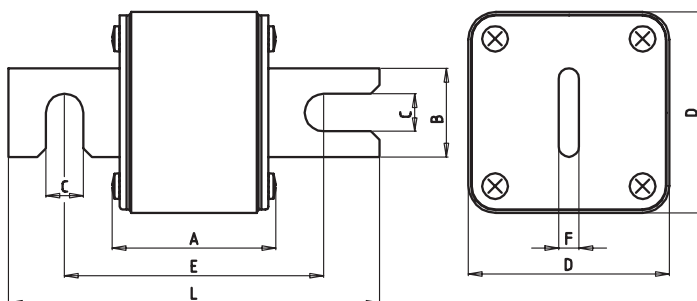
A	1.93" (49 mm)
B	1.10" (28 mm)
D	2.87" (73 mm)
G	3.46" (88 mm)
H	4.37" (111 mm)
L	2.00" (51 mm)
M	1/2"



FUSES FOR SEMICONDUCTOR PROTECTION
NORTH AMERICAN AND EUROPEAN STANDARD TYPE SQB

Size 1 **Rated voltage AC 600-690/700 V** **Standard DIN 43653 / 80 mm fixing**

Rated current	Part No.	UL Rec.	Rated Voltage AC	Weight (kg/100)	Pack
63 A	20 610 31	✓	690/700 V	51	2
80 A	20 610 31	✓	690/700 V	51	2
100 A	20 610 31	✓	690/700 V	51	2
125 A	20 610 31	✓	690/700 V	51	2
160 A	20 610 31	✓	690/700 V	51	2
200 A	20 610 31	✓	690/700 V	51	2
250 A	20 610 31	✓	690/700 V	51	2
315 A	20 610 31	✓	690/700 V	51	2
350 A	20 610 31	✓	690/700 V	51	2
400 A	20 610 31	✓	690/700 V	51	2
450 A	20 610 31	✓	690/700 V	51	2
500 A	20 610 31	✓	690/700 V	51	2
630 A	20 610 31	✓	690/700 V	51	2
700 A	20 610 31	✓	690/700 V	51	2
800 A	20 610 31	✓	690/700 V	51	2
900 A	20 610 31	✓	600 V	51	2



A	1.87" (47.5 mm)
B	1.02" (26 mm)
C	0.43" (11 mm)
D	2.00" (51 mm)
E	3.00" (76 mm)
F	0.24" (6 mm)
L	4.29" (109 mm)

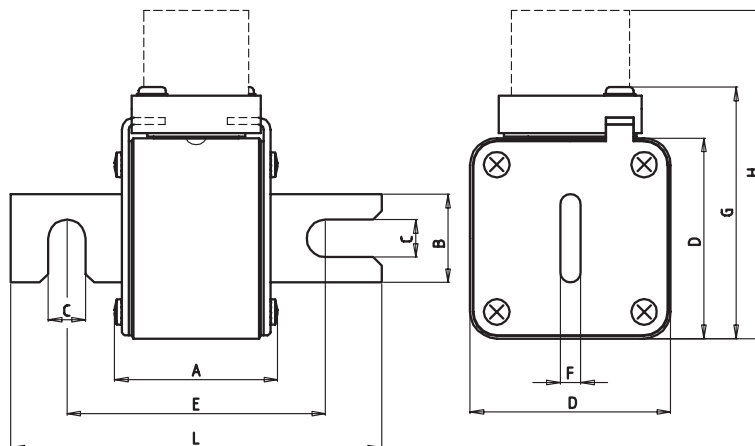


FUSES FOR SEMICONDUCTOR PROTECTION
NORTH AMERICAN AND EUROPEAN STANDARD TYPE SQB

Size **1** Rated voltage **AC 600-690/700 V** Microswitch fitting Standard **DIN 43653 / 80 mm fixing**

Rated current	Part No.	UL Rec.	Rated Voltage AC	Weight (kg/100)	Pack
63 A	20 612 32	✓	690/700 V	51	2
80 A	20 612 32	✓	690/700 V	51	2
100 A	20 612 32	✓	690/700 V	51	2
125 A	20 612 32	✓	690/700 V	51	2
160 A	20 612 32	✓	690/700 V	51	2
200 A	20 612 32	✓	690/700 V	51	2
250 A	20 612 32	✓	690/700 V	51	2
315 A	20 612 32	✓	690/700 V	51	2
350 A	20 612 32	✓	690/700 V	51	2
400 A	20 612 32	✓	690/700 V	51	2
450 A	20 612 32	✓	690/700 V	51	2
500 A	20 612 32	✓	690/700 V	51	2
630 A	20 612 32	✓	690/700 V	51	2
700 A	20 612 32	✓	690/700 V	51	2
800 A	20 612 32	✓	690/700 V	51	2
900 A	20 612 32		600 V	51	2

- A 1.87" (47.5 mm)
- B 1.02" (26 mm)
- C 0.43" (11 mm)
- D 2.01" (51 mm)
- E 3.00" (76 mm)
- F 0.24" (6 mm)
- G 2.60" (66 mm)
- H 3.50" (89 mm)
- L 4.30" (109 mm)

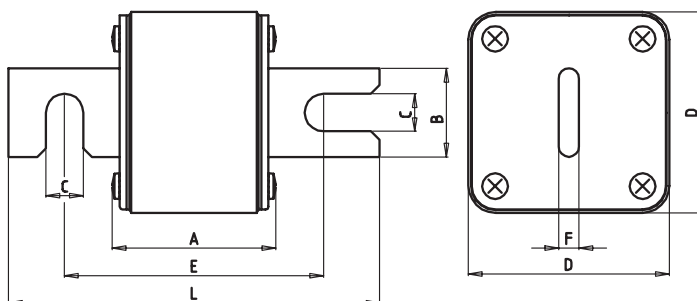




FUSES FOR SEMICONDUCTOR PROTECTION
NORTH AMERICAN AND EUROPEAN STANDARD TYPE SQB

Size 2 **Rated voltage AC 600-690/700 V** **Standard DIN 43653 / 80 mm fixing**

Rated current	Part No.	UL Rec.	Rated Voltage AC	Weight (kg/100)	Pack
400 A	20 620 31	✓	690/700 V	51	2
450 A	20 620 31	✓	690/700 V	51	2
500 A	20 620 31	✓	690/700 V	51	2
550 A	20 620 31	✓	690/700 V	51	2
630 A	20 620 31	✓	690/700 V	51	2
700 A	20 620 31	✓	690/700 V	51	2
800 A	20 620 31	✓	690/700 V	51	2
900 A	20 620 31	✓	690/700 V	51	2
1000 A	20 620 31	✓	690/700 V	51	2
1100 A	20 620 31	✓	600 V	51	2
1250 A	20 620 31	✓	600 V	51	2



A	1.87" (47.5 mm)
B	1.02" (26 mm)
C	0.43" (11 mm)
D	2.36" (60 mm)
E	3.00" (76 mm)
F	0.24" (6 mm)
L	4.30" (109 mm)

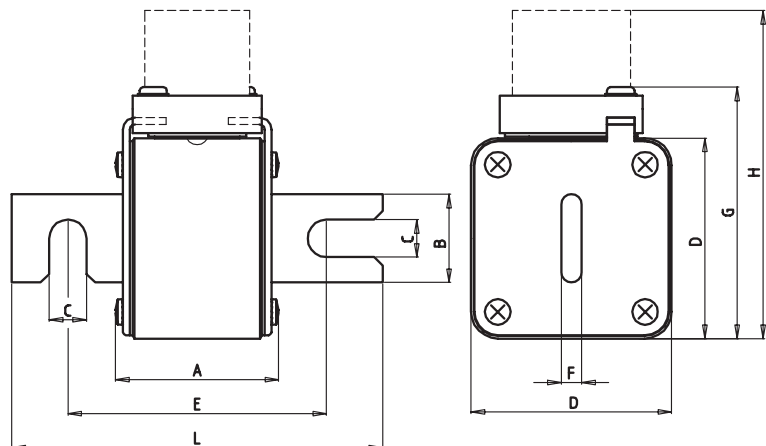


FUSES FOR SEMICONDUCTOR PROTECTION
NORTH AMERICAN AND EUROPEAN STANDARD TYPE SQB

Size 2 **Rated voltage AC 600-690/700 V** **Microswitch fitting** **Standard DIN 43653 / 80 mm fixing**

Rated current	Part No.	UL Rec.	Rated Voltage AC	Weight (kg/100)	Pack
400 A	20 622 32	✓	690/700 V	51	2
450 A	20 622 32	✓	690/700 V	51	2
500 A	20 622 32	✓	690/700 V	51	2
550 A	20 622 32	✓	690/700 V	51	2
630 A	20 622 32	✓	690/700 V	51	2
700 A	20 622 32	✓	690/700 V	51	2
800 A	20 622 32	✓	690/700 V	51	2
900 A	20 622 32	✓	690/700 V	51	2
1000 A	20 622 32	✓	690/700 V	51	2
1100 A	20 622 32	✓	600 V	51	2
1250 A	20 622 32	✓	600 V	51	2

- A** 1.87" (47.5 mm)
- B** 1.02" (26 mm)
- C** 0.43" (11 mm)
- D** 2.36" (60 mm)
- E** 3.00" (76 mm)
- F** 0.24" (6 mm)
- G** 2.95" (75 mm)
- H** 3.86" (98 mm)
- L** 4.30" (109 mm)

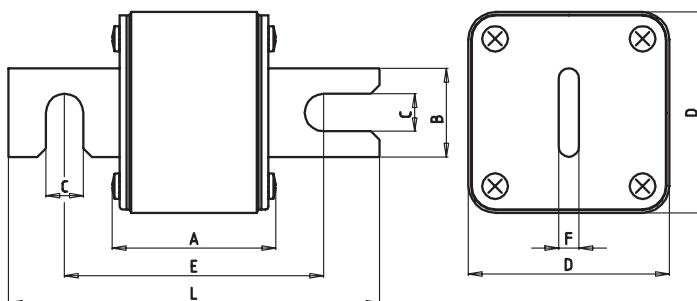




FUSES FOR SEMICONDUCTOR PROTECTION
NORTH AMERICAN AND EUROPEAN STANDARD TYPE SQB

Size 3 **Rated voltage AC 600-690/700 V** **Standard DIN 43653 / 80 mm fixing**

Rated current	Part No.	UL Rec.	Rated Voltage AC	Weight (kg/100)	Pack
500 A	20 630 31	✓	690/700 V	60	2
550 A	20 630 31	✓	690/700 V	60	2
630 A	20 630 31	✓	690/700 V	60	2
700 A	20 630 31	✓	690/700 V	60	2
800 A	20 630 31	✓	690/700 V	60	2
900 A	20 630 31	✓	690/700 V	60	2
1000 A	20 630 31	✓	690/700 V	60	2
1100 A	20 630 31	✓	690/700 V	60	2
1250 A	20 630 31	✓	690/700 V	60	2
1400 A	20 630 31	✓	690/700 V	60	2
1500 A	20 630 31		600 V	60	2
1600 A	20 630 31		600 V	60	2



A	1.93" (49 mm)
B	1.38" (35 mm)
C	0.43" (11 mm)
D	2.87" (73 mm)
E	3.00" (76 mm)
F	0.24" (6 mm)
L	4.30" (109 mm)

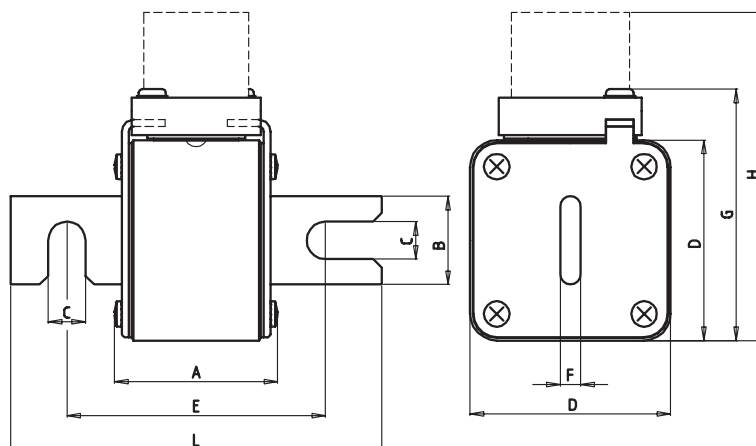


FUSES FOR SEMICONDUCTOR PROTECTION
NORTH AMERICAN AND EUROPEAN STANDARD TYPE SQB

Size **3** Rated voltage **AC 600-690/700 V** Microswitch fitting Standard **DIN 43653 / 80 mm fixing**

Rated current	Part No.	UL Rec.	Rated Voltage AC	Weight (kg/100)	Pack
500 A	20 632 32	✓	690/700 V	60	2
550 A	20 632 32	✓	690/700 V	60	2
630 A	20 632 32	✓	690/700 V	60	2
700 A	20 632 32	✓	690/700 V	60	2
800 A	20 632 32	✓	690/700 V	60	2
900 A	20 632 32	✓	690/700 V	60	2
1000 A	20 632 32	✓	690/700 V	60	2
1100 A	20 632 32	✓	690/700 V	60	2
1250 A	20 632 32	✓	690/700 V	60	2
1400 A	20 632 32	✓	690/700 V	60	2
1500 A	20 632 32		600 V	60	2
1600 A	20 632 32		600 V	60	2

- A 1.93" (49 mm)
- B 1.38" (35 mm)
- C 0.43" (11 mm)
- D 2.87" (73 mm)
- E 3.00" (76 mm)
- F 0.24" (6 mm)
- G 3.46" (88 mm)
- H 4.37" (111 mm)
- L 4.30" (109 mm)

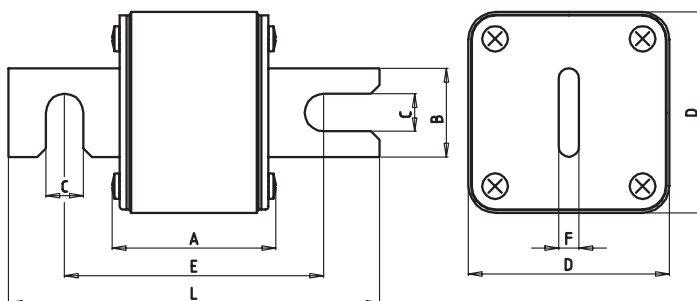




FUSES FOR SEMICONDUCTOR PROTECTION
NORTH AMERICAN AND EUROPEAN STANDARD TYPE SQB

Size 1 **Rated voltage AC 600-690/700 V** **Standard DIN 43653 / 110 mm fixing**

Rated current	Part No.	UL Rec.	Rated Voltage AC	Weight (kg/100)	Pack
63 A	20 613 31	✓	690/700 V	51	2
80 A	20 613 31	✓	690/700 V	51	2
100 A	20 613 31	✓	690/700 V	51	2
125 A	20 613 31	✓	690/700 V	51	2
160 A	20 613 31	✓	690/700 V	51	2
200 A	20 613 31	✓	690/700 V	51	2
250 A	20 613 31	✓	690/700 V	51	2
315 A	20 613 31	✓	690/700 V	51	2
350 A	20 613 31	✓	690/700 V	51	2
400 A	20 613 31	✓	690/700 V	51	2
450 A	20 613 31	✓	690/700 V	51	2
500 A	20 613 31	✓	690/700 V	51	2
630 A	20 613 31	✓	690/700 V	51	2
700 A	20 613 31	✓	690/700 V	51	2
800 A	20 613 31	✓	690/700 V	51	2
900 A	20 613 31	✓	600 V	51	2



A	1.87" (47.5 mm)
B	1.02" (26 mm)
C	0.43" (11 mm)
D	2.00" (51 mm)
E	4.17" (106 mm)
F	0.24" (6 mm)
L	5.28" (134 mm)

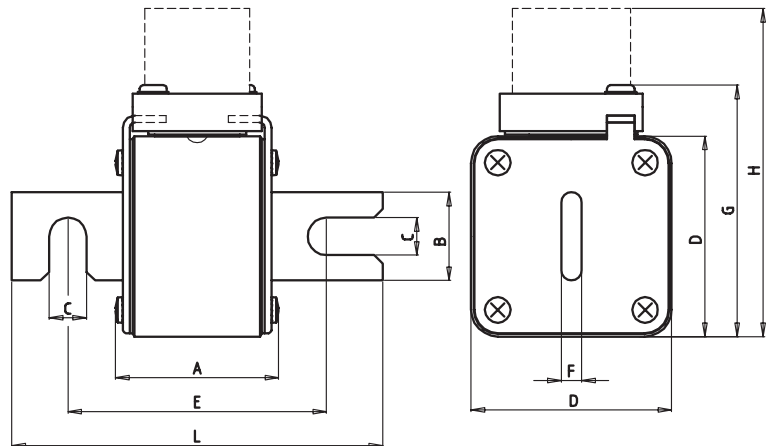


FUSES FOR SEMICONDUCTOR PROTECTION
NORTH AMERICAN AND EUROPEAN STANDARD TYPE SQB

Size 1 **Rated voltage AC 600-690/700 V** **Microswitch fitting** **Standard DIN 43653 / 110 mm fixing**

Rated current	Part No.	UL Rec.	Rated Voltage AC	Weight (kg/100)	Pack
63 A	20 615 32	✓	690/700 V	51	2
80 A	20 615 32	✓	690/700 V	51	2
100 A	20 615 32	✓	690/700 V	51	2
125 A	20 615 32	✓	690/700 V	51	2
160 A	20 615 32	✓	690/700 V	51	2
200 A	20 615 32	✓	690/700 V	51	2
250 A	20 615 32	✓	690/700 V	51	2
315 A	20 615 32	✓	690/700 V	51	2
350 A	20 615 32	✓	690/700 V	51	2
400 A	20 615 32	✓	690/700 V	51	2
450 A	20 615 32	✓	690/700 V	51	2
500 A	20 615 32	✓	690/700 V	51	2
630 A	20 615 32	✓	690/700 V	51	2
700 A	20 615 32	✓	690/700 V	51	2
800 A	20 615 32	✓	690/700 V	51	2
900 A	20 615 32	✓	600 V	51	2

- A** 1.87" (47.5 mm)
- B** 1.02" (26 mm)
- C** 0.43" (11 mm)
- D** 2.00" (51 mm)
- E** 4.17" (106 mm)
- F** 0.24" (6 mm)
- G** 2.60" (66 mm)
- H** 3.50" (89 mm)
- L** 5.28" (134 mm)

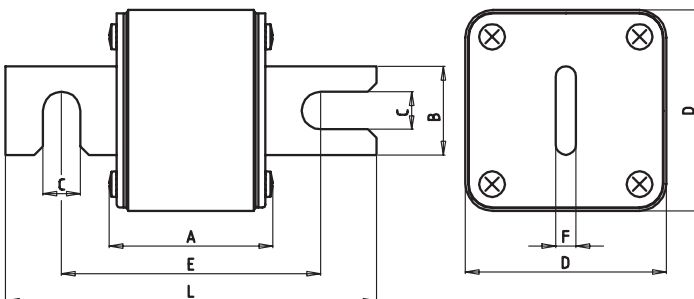




FUSES FOR SEMICONDUCTOR PROTECTION
NORTH AMERICAN AND EUROPEAN STANDARD TYPE SQB

Size 2 **Rated voltage AC 600-690/700 V** **Standard DIN 43653 / 110 mm fixing**

Rated current	Part No.	UL Rec.	Rated Voltage AC	Weight (kg/100)	Pack
400 A	20 623 31	✓	690/700 V	51	2
450 A	20 623 31	✓	690/700 V	51	2
500 A	20 623 31	✓	690/700 V	51	2
550 A	20 623 31	✓	690/700 V	51	2
630 A	20 623 31	✓	690/700 V	51	2
700 A	20 623 31	✓	690/700 V	51	2
800 A	20 623 31	✓	690/700 V	51	2
900 A	20 623 31	✓	690/700 V	51	2
1000 A	20 623 31	✓	690/700 V	51	2
1100 A	20 623 31	✓	600 V	51	2
1250 A	20 623 31	✓	600 V	51	2



A	1.87" (47.5 mm)
B	1.02" (26 mm)
C	0.43" (11 mm)
D	2.36" (60 mm)
E	4.17" (106 mm)
F	0.24" (6 mm)
L	5.28" (134 mm)

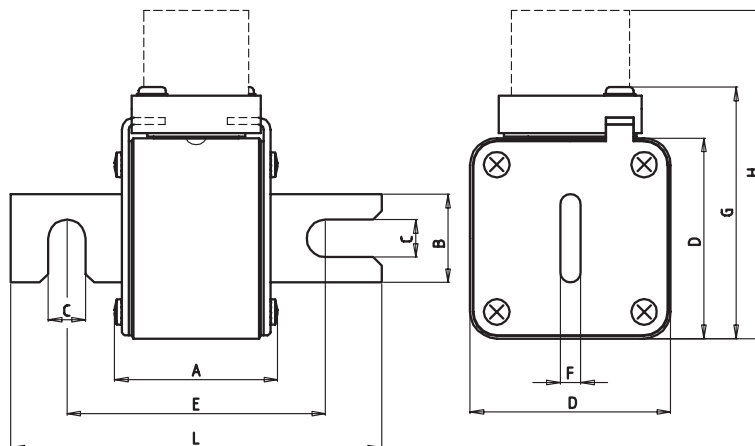


FUSES FOR SEMICONDUCTOR PROTECTION
NORTH AMERICAN AND EUROPEAN STANDARD TYPE SQB

Size 2 **Rated voltage AC 600-690/700 V** **Microswitch fitting** **Standard DIN 43653 / 110 mm fixing**

Rated current	Part No.	UL Rec.	Rated Voltage AC	Weight (kg/100)	Pack
400 A	20 625 32	✓	690/700 V	51	2
450 A	20 625 32	✓	690/700 V	51	2
500 A	20 625 32	✓	690/700 V	51	2
550 A	20 625 32	✓	690/700 V	51	2
630 A	20 625 32	✓	690/700 V	51	2
700 A	20 625 32	✓	690/700 V	51	2
800 A	20 625 32	✓	690/700 V	51	2
900 A	20 625 32	✓	690/700 V	51	2
1000 A	20 625 32	✓	690/700 V	51	2
1100 A	20 625 32	✓	600 V	51	2
1250 A	20 625 32	✓	600 V	51	2

- A** 1.87" (47.5 mm)
- B** 1.02" (26 mm)
- C** 0.43" (11 mm)
- D** 2.36" (60 mm)
- E** 4.17" (106 mm)
- F** 0.24" (6 mm)
- G** 2.95" (75 mm)
- H** 3.86" (98 mm)
- L** 5.28" (134 mm)

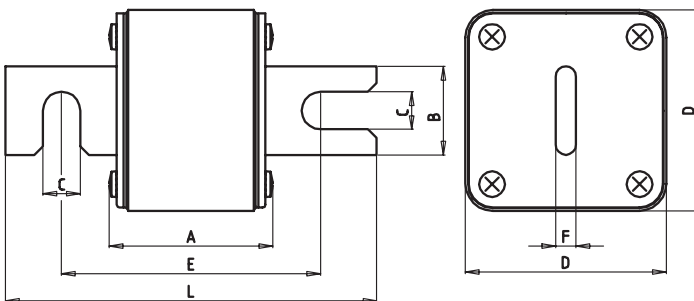




FUSES FOR SEMICONDUCTOR PROTECTION
NORTH AMERICAN AND EUROPEAN STANDARD TYPE SQB

Size 3 **Rated voltage AC 600-690/700 V** **Standard DIN 43653 / 110 mm fixing**

Rated current	Part No.	UL Rec.	Rated Voltage AC	Weight (kg/100)	Pack
500 A	20 633 31	✓	690/700 V	60	2
550 A	20 633 31	✓	690/700 V	60	2
630 A	20 633 31	✓	690/700 V	60	2
700 A	20 633 31	✓	690/700 V	60	2
800 A	20 633 31	✓	690/700 V	60	2
900 A	20 633 31	✓	690/700 V	60	2
1000 A	20 633 31	✓	690/700 V	60	2
1100 A	20 633 31	✓	690/700 V	60	2
1250 A	20 633 31	✓	690/700 V	60	2
1400 A	20 633 31	✓	690/700 V	60	2
1500 A	20 633 31		600 V	60	2
1600 A	20 633 31		600 V	60	2



A	1.93" (49 mm)
B	1.38" (35 mm)
C	0.43" (11 mm)
D	2.87" (73 mm)
E	4.17" (106 mm)
F	0.24" (6 mm)
L	5.28" (134 mm)

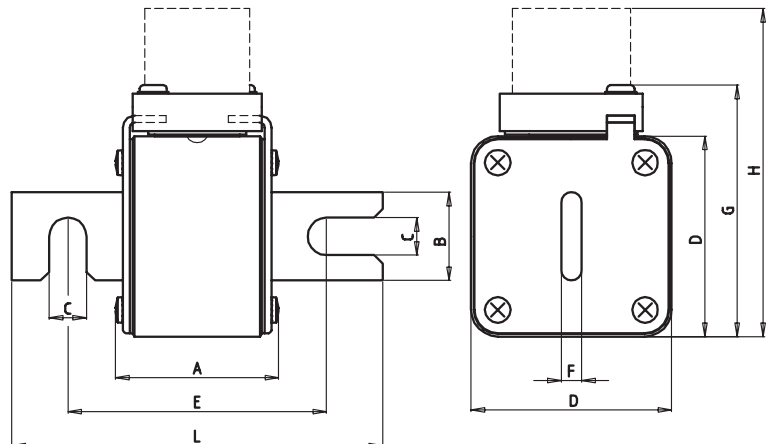


FUSES FOR SEMICONDUCTOR PROTECTION
NORTH AMERICAN AND EUROPEAN STANDARD TYPE SQB

Size **3** Rated voltage **AC 600-690/700 V** Microswitch fitting **DIN 43653 / 110 mm fixing** Standard

Rated current	Part No.	UL Rec.	Rated Voltage AC	Weight (kg/100)	Pack
500 A	20 635 32	✓	690/700 V	60	2
550 A	20 635 32	✓	690/700 V	60	2
630 A	20 635 32	✓	690/700 V	60	2
700 A	20 635 32	✓	690/700 V	60	2
800 A	20 635 32	✓	690/700 V	60	2
900 A	20 635 32	✓	690/700 V	60	2
1000 A	20 635 32	✓	690/700 V	60	2
1100 A	20 635 32	✓	690/700 V	60	2
1250 A	20 635 32	✓	690/700 V	60	2
1400 A	20 635 32	✓	690/700 V	60	2
1500 A	20 635 32		600 V	60	2
1600 A	20 635 32		600 V	60	2

- A 1.93" (49 mm)
- B 1.38" (35 mm)
- C 0.43" (11 mm)
- D 2.87" (73 mm)
- E 4.17" (106 mm)
- F 0.24" (6 mm)
- G 3.46" (88 mm)
- H 4.37" (111 mm)
- L 5.28" (134 mm)

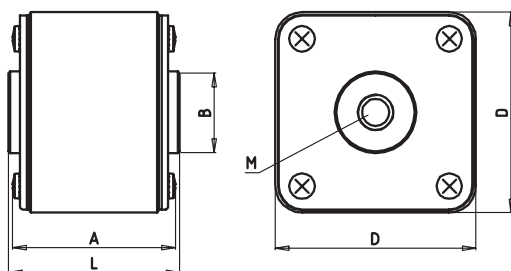




FUSES FOR SEMICONDUCTOR PROTECTION
NORTH AMERICAN AND EUROPEAN STANDARD TYPE SQB

Size 1 **Rated voltage AC 600-690/700 V** **Standard DIN 43653 / Metric thread**

Rated current	Part No.	UL Rec.	Rated Voltage AC	Weight (kg/100)	Pack
63 A	20 660 31	✓	690/700 V	50	3
80 A	20 660 31	✓	690/700 V	50	3
100 A	20 660 31	✓	690/700 V	50	3
125 A	20 660 31	✓	690/700 V	50	3
160 A	20 660 31	✓	690/700 V	50	3
200 A	20 660 31	✓	690/700 V	50	3
250 A	20 660 31	✓	690/700 V	50	3
315 A	20 660 31	✓	690/700 V	50	3
350 A	20 660 31	✓	690/700 V	50	3
400 A	20 660 31	✓	690/700 V	50	3
450 A	20 660 31	✓	690/700 V	50	3
500 A	20 660 31	✓	690/700 V	50	3
630 A	20 660 31	✓	690/700 V	50	3
700 A	20 660 31	✓	690/700 V	50	3
800 A	20 660 31	✓	690/700 V	50	3
900 A	20 660 31	✓	600 V	50	3



A	1.87" (47.5 mm)
B	0.94" (24 mm)
D	2.00" (51 mm)
L	2.00" (51 mm)
M	M8

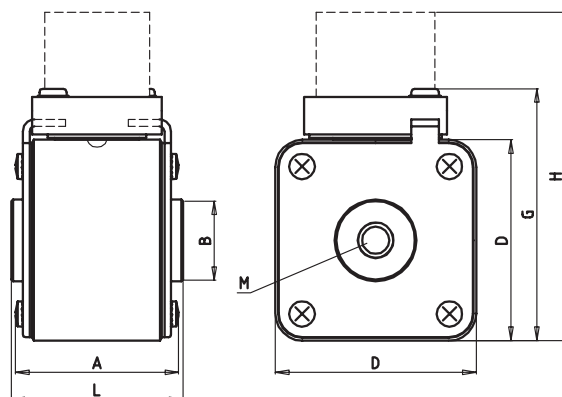


FUSES FOR SEMICONDUCTOR PROTECTION
NORTH AMERICAN AND EUROPEAN STANDARD TYPE SQB

Size 1 **Rated voltage AC 600-690/700 V** **Microswitch fitting** **Standard DIN 43653 / Metric thread**

Rated current	Part No.	UL Rec.	Rated Voltage AC	Weight (kg/100)	Pack
63 A	20 661 32	✓	690/700 V	50	3
80 A	20 661 32	✓	690/700 V	50	3
100 A	20 661 32	✓	690/700 V	50	3
125 A	20 661 32	✓	690/700 V	50	3
160 A	20 661 32	✓	690/700 V	50	3
200 A	20 661 32	✓	690/700 V	50	3
250 A	20 661 32	✓	690/700 V	50	3
315 A	20 661 32	✓	690/700 V	50	3
350 A	20 661 32	✓	690/700 V	50	3
400 A	20 661 32	✓	690/700 V	50	3
450 A	20 661 32	✓	690/700 V	50	3
500 A	20 661 32	✓	690/700 V	50	3
630 A	20 661 32	✓	690/700 V	50	3
700 A	20 661 32	✓	690/700 V	50	3
800 A	20 661 32	✓	690/700 V	50	3
900 A	20 661 32		600 V	50	3

- A** 1.87" (47.5 mm)
- B** 0.94" (24 mm)
- D** 2.00" (51 mm)
- G** 2.60" (66 mm)
- H** 3.50" (89 mm)
- L** 2.00" (51 mm)
- M** M8

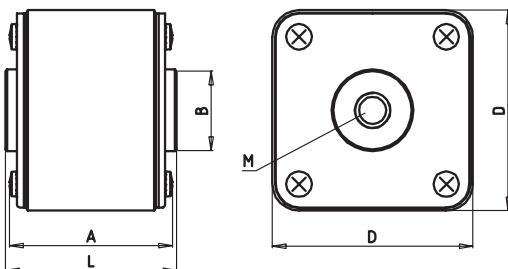




FUSES FOR SEMICONDUCTOR PROTECTION
NORTH AMERICAN AND EUROPEAN STANDARD TYPE SQB

Size 2 **Rated voltage AC 600-690/700 V** **Standard DIN 43653 / Metric thread**

Rated current	Part No.	UL Rec.	Rated Voltage AC	Weight (kg/100)	Pack
400 A	20 670 31	✓	690/700 V	50	3
450 A	20 670 31	✓	690/700 V	50	3
500 A	20 670 31	✓	690/700 V	50	3
550 A	20 670 31	✓	690/700 V	50	3
630 A	20 670 31	✓	690/700 V	50	3
700 A	20 670 31	✓	690/700 V	50	3
800 A	20 670 31	✓	690/700 V	50	3
900 A	20 670 31	✓	690/700 V	50	3
1000 A	20 670 31	✓	690/700 V	50	3
1100 A	20 670 31	✓	600 V	50	3
1250 A	20 670 31	✓	600 V	50	3



A	1.87" (47.5 mm)
B	0.94" (24 mm)
D	2.36" (60 mm)
L	2.00" (51 mm)
M	M10

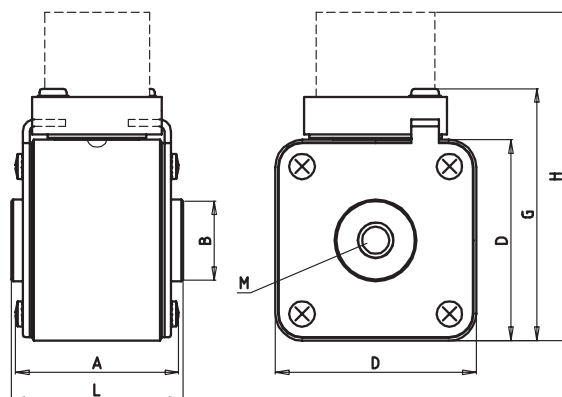


FUSES FOR SEMICONDUCTOR PROTECTION
NORTH AMERICAN AND EUROPEAN STANDARD TYPE SQB

Size 2 **Rated voltage AC 600-690/700 V** **Microswitch fitting DIN 43653 / Metric thread** **Standard**

Rated current	Part No.	UL Rec.	Rated Voltage AC	Weight (kg/100)	Pack
400 A	20 671 32	✓	690/700 V	50	3
450 A	20 671 32	✓	690/700 V	50	3
500 A	20 671 32	✓	690/700 V	50	3
550 A	20 671 32	✓	690/700 V	50	3
630 A	20 671 32	✓	690/700 V	50	3
700 A	20 671 32	✓	690/700 V	50	3
800 A	20 671 32	✓	690/700 V	50	3
900 A	20 671 32	✓	690/700 V	50	3
1000 A	20 671 32	✓	690/700 V	50	3
1100 A	20 671 32	✓	600 V	50	3
1250 A	20 671 32	✓	600 V	50	3

- A** 1.87" (47.5 mm)
- B** 0.94" (24 mm)
- D** 2.36" (60 mm)
- G** 2.95" (75 mm)
- H** 3.86" (98 mm)
- L** 2.00" (51 mm)
- M** M10

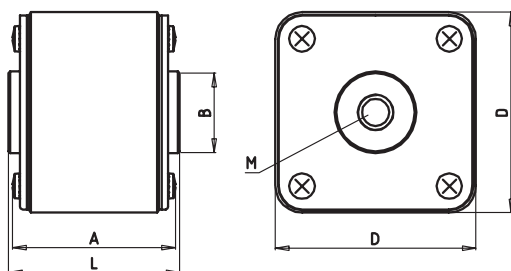




FUSES FOR SEMICONDUCTOR PROTECTION
NORTH AMERICAN AND EUROPEAN STANDARD TYPE SQB

Size 3 **Rated voltage AC 600-690/700 V** **Standard DIN 43653 / Metric thread**

Rated current	Part No.	UL Rec.	Rated Voltage AC	Weight (kg/100)	Pack
500 A	20 680 31	✓	690/700 V	50	3
550 A	20 680 31	✓	690/700 V	50	3
630 A	20 680 31	✓	690/700 V	50	3
700 A	20 680 31	✓	690/700 V	50	3
800 A	20 680 31	✓	690/700 V	50	3
900 A	20 680 31	✓	690/700 V	50	3
1000 A	20 680 31	✓	690/700 V	50	3
1100 A	20 680 31	✓	690/700 V	50	3
1250 A	20 680 31	✓	690/700 V	50	3
1400 A	20 680 31	✓	690/700 V	50	3
1500 A	20 680 31		600 V	50	3
1600 A	20 680 31		600 V	50	3



A	1.93" (49 mm)
B	1.10" (28 mm)
D	2.87" (73 mm)
L	2.00" (51 mm)
M	M12



FUSES FOR SEMICONDUCTOR PROTECTION
NORTH AMERICAN AND EUROPEAN STANDARD TYPE SQB

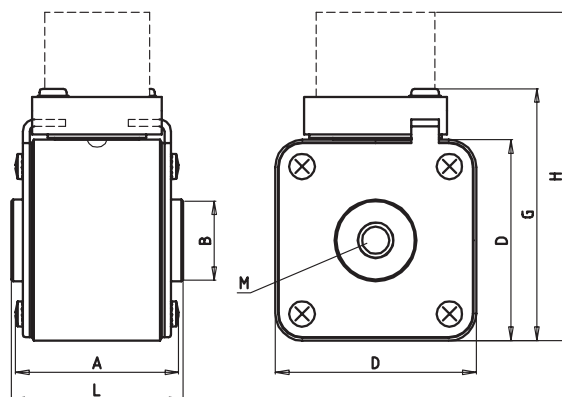
Size
3

Rated voltage
AC 600-690/700 V

Microswitch
fitting

Standard
DIN 43653 / Metric thread

Rated current	Part No.	UL Rec.	Rated Voltage AC	Weight (kg/100)	Pack
500 A	20 681 32	✓	690/700 V	50	3
550 A	20 681 32	✓	690/700 V	50	3
630 A	20 681 32	✓	690/700 V	50	3
700 A	20 681 32	✓	690/700 V	50	3
800 A	20 681 32	✓	690/700 V	50	3
900 A	20 681 32	✓	690/700 V	50	3
1000 A	20 681 32	✓	690/700 V	50	3
1100 A	20 681 32	✓	690/700 V	50	3
1250 A	20 681 32	✓	690/700 V	50	3
1400 A	20 681 32	✓	690/700 V	50	3
1500 A	20 681 32		600 V	50	3
1600 A	20 681 32		600 V	50	3



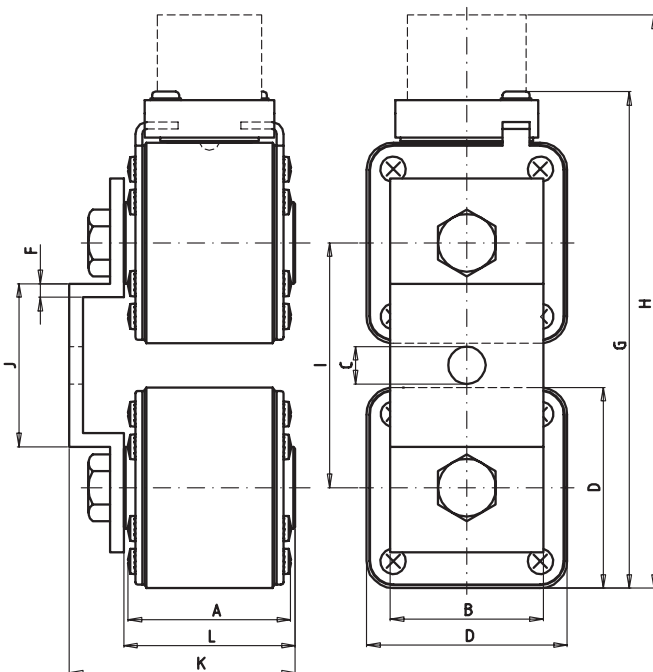
A	1.93" (49 mm)
B	1.10" (28 mm)
D	2.87" (73 mm)
G	3.46" (88 mm)
H	4.37" (111 mm)
L	2.00" (51 mm)
M	M12



FUSES FOR SEMICONDUCTOR PROTECTION
NORTH AMERICAN AND EUROPEAN STANDARD TYPE SQB

Size 2	Rated voltage AC 690/700 V	Standard IEC 60269-4 · DIN VDE 0636 Part 40 · UL 248-13
-------------------------	---	--

Rated current	Part No. without Indicator	UL Rec.	Rated Voltage AC	Weight (kg/100)	Pack
800 A	20 678 32	✓	690/700 V	102	1
1000 A	20 678 32	✓	690/700 V	102	1
1250 A	20 678 32	✓	690/700 V	102	1
1400 A	20 678 32	✓	690/700 V	102	1



A	1.87" (47,5 mm)
B	1.77" (45 mm)
C	0.43" (11 mm)
D	2.32" (59 mm)
F	0.16" (4 mm)
G	5.83" (148 mm)
H	6.60" (168 mm)
I	2.83" (72 mm)
J	1.90" (48 mm)
K	2.64" (67 mm)
L	2.00" (51 mm)



FUSES FOR SEMICONDUCTOR PROTECTION
NORTH AMERICAN AND EUROPEAN STANDARD TYPE SQB

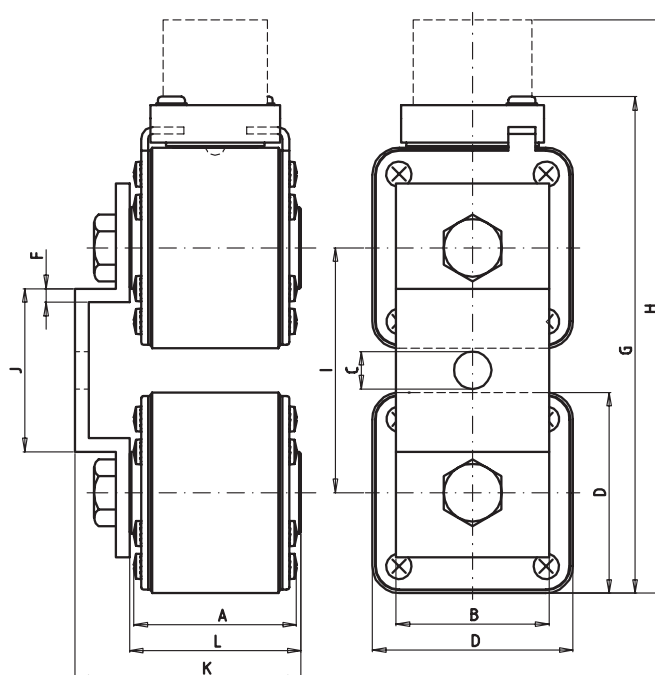
Size
3

Rated voltage
AC 690/700 V

Standard
IEC 60269-4 · DIN VDE 0636 Part 40 · UL 248-13

Rated current	Part No. without Indicator	UL Rec.	Rated Voltage AC	Weight (kg/100)	Pack
1250 A	20 688 32	✓	690/700 V	120	1
1400 A	20 688 32	✓	690/700 V	120	1
1600 A	20 688 32	✓	690/700 V	120	1

- A** 1.93" (49 mm)
- B** 1.97" (50 mm)
- C** 0.50" (13 mm)
- D** 2.87" (73 mm)
- F** 0.16" (4 mm)
- G** 6.77" (172 mm)
- H** 7.94" (195 mm)
- I** 3.39" (86 mm)
- J** 2.13" (54 mm)
- K** 2.64" (67 mm)
- L** 2.00" (51 mm)

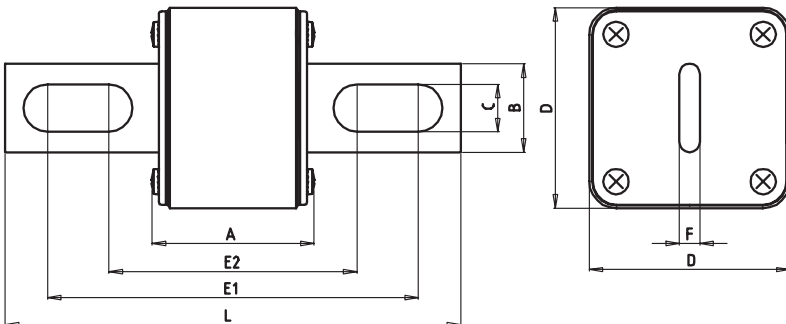




FUSES FOR SEMICONDUCTOR PROTECTION
NORTH AMERICAN AND EUROPEAN STANDARD TYPE SQB

Size 1 **Rated voltage AC 1100-1250/1300 V** **Standard US-Type long**

Rated current	Part No.	UL Rec.	Rated Voltage AC	Weight (kg/100)	Pack
160 A	20 719 31	✓	1250/1300 V	54	2
200 A	20 719 31	✓	1250/1300 V	54	2
250 A	20 719 31	✓	1250/1300 V	54	2
315 A	20 719 31	✓	1250/1300 V	54	2
350 A	20 719 31	✓	1250/1300 V	54	2
400 A	20 719 31	✓	1250/1300 V	54	2
450 A	20 719 31	✓	1250/1300 V	54	2
500 A	20 719 31	✓	1100/1200 V	54	2
550 A	20 719 31	✓	1100/1200 V	54	2
630 A	20 719 31	✓	1100/1200 V	54	2



A	2.78" (70.5 mm)
B	1.02" (26 mm)
C	0.55" (14 mm)
D	2.00" (51 mm)
E1	5.20" (132 mm)
E2	3.78" (96 mm)
F	0.24" (6 mm)
L	6.18" (157 mm)

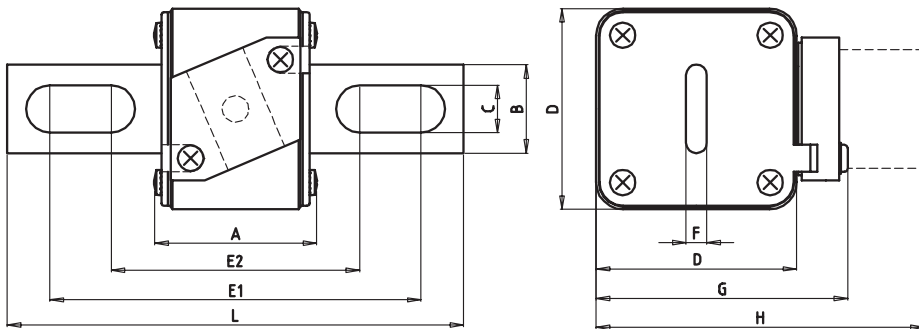


FUSES FOR SEMICONDUCTOR PROTECTION
NORTH AMERICAN AND EUROPEAN STANDARD TYPE SQB

Size 1 **Rated voltage AC 1100-1250/1300 V** **Microswitch fitting** **Standard US-Type long**

Rated current	Part No.	UL Rec.	Rated Voltage AC	Weight (kg/100)	Pack
160 A	20 718 32	✓	1250/1300 V	54	2
200 A	20 718 32	✓	1250/1300 V	54	2
250 A	20 718 32	✓	1250/1300 V	54	2
315 A	20 718 32	✓	1250/1300 V	54	2
350 A	20 718 32	✓	1250/1300 V	54	2
400 A	20 718 32	✓	1250/1300 V	54	2
450 A	20 718 32	✓	1250/1300 V	54	2
500 A	20 718 32	✓	1100/1200 V	54	2
550 A	20 718 32	✓	1100/1200 V	54	2
630 A	20 718 32	✓	1100/1200 V	54	2

- A** 2.78" (70.5 mm)
- B** 1.02" (26 mm)
- C** 0.55" (14 mm)
- D** 2.00" (51 mm)
- E1** 5.20" (132 mm)
- E2** 3.78" (96 mm)
- F** 0.24" (6 mm)
- G** 2.60" (66 mm)
- H** 3.50" (89 mm)
- L** 6.18" (157 mm)

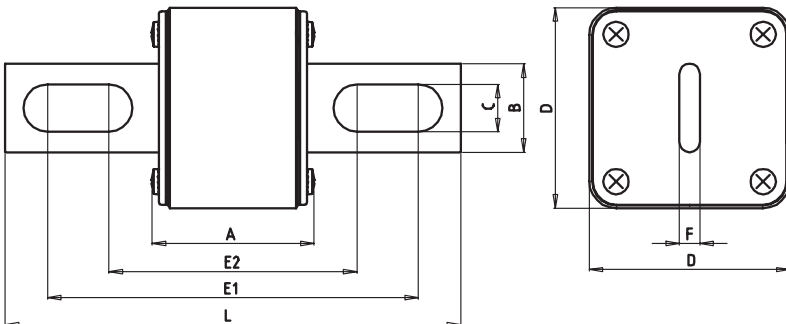




FUSES FOR SEMICONDUCTOR PROTECTION
NORTH AMERICAN AND EUROPEAN STANDARD TYPE SQB

Size 2 **Rated voltage AC 1100-1250/1300 V** **Standard US-Type long**

Rated current	Part No.	UL Rec.	Rated Voltage AC	Weight (kg/100)	Pack
250 A	20 729 31	✓	1250/1300 V	75	2
280 A	20 729 31	✓	1250/1300 V	75	2
315 A	20 729 31	✓	1250/1300 V	75	2
350 A	20 729 31	✓	1250/1300 V	75	2
400 A	20 729 31	✓	1250/1300 V	75	2
450 A	20 729 31	✓	1250/1300 V	75	2
500 A	20 729 31	✓	1250/1300 V	75	2
556 A	20 729 31	✓	1250/1300 V	75	2
630 A	20 729 31	✓	1250/1300 V	75	2
700 A	20 729 31	✓	1100/1200 V	75	2
800 A	20 729 31	✓	1100 V	75	2



A	2.78" (70.5 mm)
B	1.02" (26 mm)
C	0.55" (14 mm)
D	2.36" (60 mm)
E1	5.20" (132 mm)
E2	3.78" (96 mm)
F	0.24" (6 mm)
L	6.18" (157 mm)

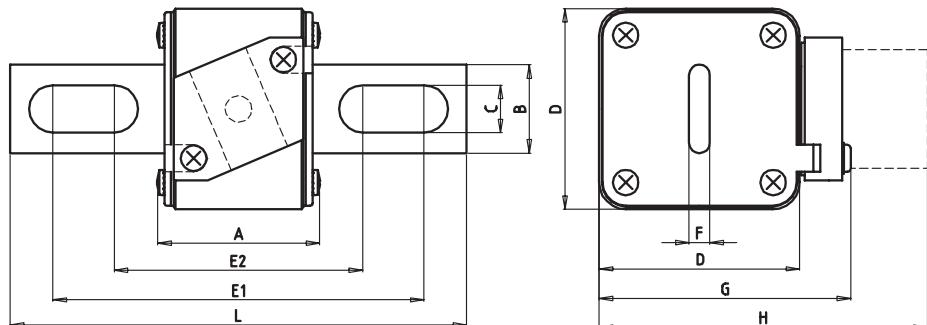


FUSES FOR SEMICONDUCTOR PROTECTION
NORTH AMERICAN AND EUROPEAN STANDARD TYPE SQB

Size 2 **Rated voltage AC 1100-1250/1300 V** **Microswitch fitting** **Standard US-Type long**

Rated current	Part No.	UL Rec.	Rated Voltage AC	Weight (kg/100)	Pack
250 A	20 728 32	✓	1250/1300 V	75	2
280 A	20 728 32	✓	1250/1300 V	75	2
315 A	20 728 32	✓	1250/1300 V	75	2
350 A	20 728 32	✓	1250/1300 V	75	2
400 A	20 728 32	✓	1250/1300 V	75	2
450 A	20 728 32	✓	1250/1300 V	75	2
500 A	20 728 32	✓	1250/1300 V	75	2
556 A	20 728 32	✓	1250/1300 V	75	2
630 A	20 728 32	✓	1250/1300 V	75	2
700 A	20 728 32	✓	1100/1200 V	75	2
800 A	20 728 32	✓	1100 V	75	2

- A** 2.78" (70.5 mm)
- B** 1.02" (26 mm)
- C** 0.55" (14 mm)
- D** 2.36" (60 mm)
- E1** 5.20" (132 mm)
- E2** 3.78" (96 mm)
- F** 0.24" (6 mm)
- G** 2.95" (75 mm)
- H** 3.86" (98 mm)
- L** 6.18" (157 mm)

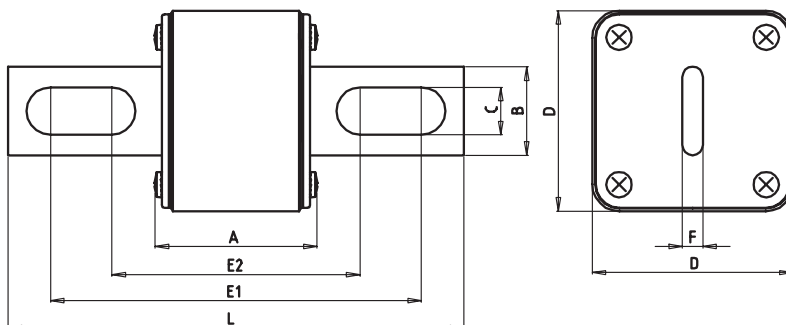




FUSES FOR SEMICONDUCTOR PROTECTION
NORTH AMERICAN AND EUROPEAN STANDARD TYPE SQB

Size 3 **Rated voltage AC 900-1250/1300 V** **Standard US-Type long**

Rated current	Part No.	UL Rec.	Rated Voltage AC	Weight (kg/100)	Pack
315 A	20 739 31	✓	1250/1300 V	104	2
350 A	20 739 31	✓	1250/1300 V	104	2
400 A	20 739 31	✓	1250/1300 V	104	2
450 A	20 739 31	✓	1250/1300 V	104	2
500 A	20 739 31	✓	1250/1300 V	104	2
550 A	20 739 31	✓	1250/1300 V	104	2
630 A	20 739 31	✓	1250/1300 V	104	2
700 A	20 739 31	✓	1250/1300 V	104	2
800 A	20 739 31	✓	1250/1300 V	104	2
1000 A	20 739 31	✓	1000 V	104	2
1100 A	20 739 31	✓	1000 V	104	2
1250 A	20 739 31		900 V	104	2
1400 A	20 739 31		900 V	104	2



A	2.83" (72 mm)
B	1.38" (35 mm)
C	0.63" (16 mm)
D	2.87" (73 mm)
E1	5.20" (132 mm)
E2	3.86" (98 mm)
F	0.24" (6 mm)
L	6.22" (158 mm)

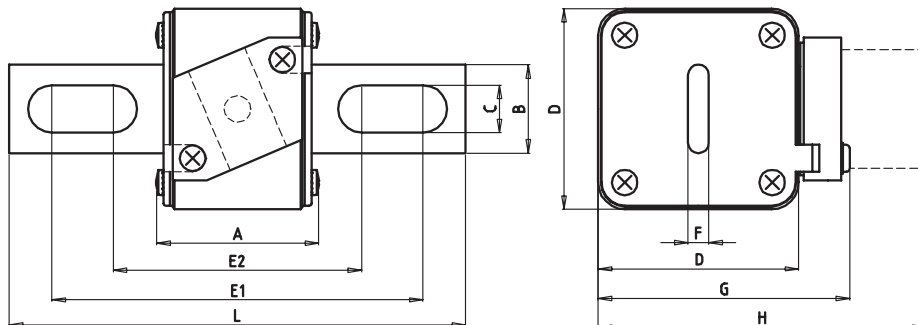


FUSES FOR SEMICONDUCTOR PROTECTION
NORTH AMERICAN AND EUROPEAN STANDARD TYPE SQB

Size 3 **Rated voltage AC 900-1250/1300 V** **Microswitch fitting** **Standard US-Type long**

Rated current	Part No.	UL Rec.	Rated Voltage AC	Weight (kg/100)	Pack
315 A	20 738 32	✓	1250/1300 V	104	2
350 A	20 738 32	✓	1250/1300 V	104	2
400 A	20 738 32	✓	1250/1300 V	104	2
450 A	20 738 32	✓	1250/1300 V	104	2
500 A	20 738 32	✓	1250/1300 V	104	2
550 A	20 738 32	✓	1250/1300 V	104	2
630 A	20 738 32	✓	1250/1300 V	104	2
700 A	20 738 32	✓	1250/1300 V	104	2
800 A	20 738 32	✓	1250/1300 V	104	2
1000 A	20 738 32	✓	1000 V	104	2
1100 A	20 738 32	✓	1000 V	104	2
1250 A	20 738 32		900 V	104	2
1400 A	20 738 32		900 V	104	2

- A** 2.83" (72 mm)
- B** 1.38" (35 mm)
- C** 0.63" (16 mm)
- D** 2.87" (73 mm)
- E1** 5.20" (132 mm)
- E2** 3.86" (98 mm)
- F** 0.24" (6 mm)
- G** 3.46" (88 mm)
- H** 4.37" (111 mm)
- L** 6.22" (158 mm)

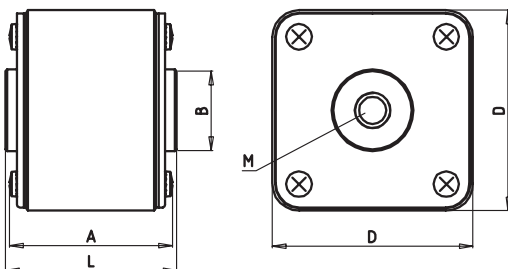




FUSES FOR SEMICONDUCTOR PROTECTION
NORTH AMERICAN AND EUROPEAN STANDARD TYPE SQB

Size 1 **Rated voltage AC 1100-1250/1300 V** **Standard UNC threads**

Rated current	Part No.	UL Rec.	Rated Voltage AC	Weight (kg/100)	Pack
50 A	20 763 31	✓	1250/1300 V	51	2
63 A	20 763 31	✓	1250/1300 V	51	2
80 A	20 763 31	✓	1250/1300 V	51	2
100 A	20 763 31	✓	1250/1300 V	51	2
125 A	20 763 31	✓	1250/1300 V	51	2
160 A	20 763 31	✓	1250/1300 V	51	2
200 A	20 763 31	✓	1250/1300 V	51	2
250 A	20 763 31	✓	1250/1300 V	51	2
315 A	20 763 31	✓	1250/1300 V	51	2
350 A	20 763 31	✓	1250/1300 V	51	2
400 A	20 763 31	✓	1250/1300 V	51	2
450 A	20 763 31	✓	1250/1300 V	51	2
500 A	20 763 31	✓	1100/1200 V	51	2
550 A	20 763 31	✓	1100/1200 V	51	2
630 A	20 763 31	✓	1100/1200 V	51	2



A	2.78" (70.5 mm)
B	0.94" (24 mm)
D	2.00" (51 mm)
L	2.90" (73.5 mm)
M	5/16"

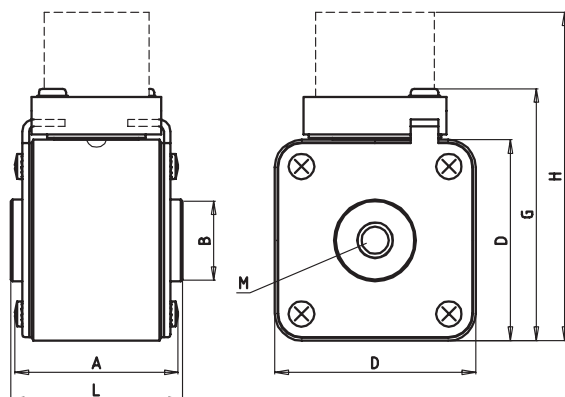


FUSES FOR SEMICONDUCTOR PROTECTION
NORTH AMERICAN AND EUROPEAN STANDARD TYPE SQB

Size 1	Rated voltage AC 1100-1250/1300 V	Microswitch fitting	Standard UNC threads
-------------------------	--	--------------------------------------	---------------------------------------

Rated current	Part No.	UL Rec.	Rated Voltage AC	Weight (kg/100)	Pack
50 A	20 764 32	✓	1250/1300 V	51	2
63 A	20 764 32	✓	1250/1300 V	51	2
80 A	20 764 32	✓	1250/1300 V	51	2
100 A	20 764 32	✓	1250/1300 V	51	2
125 A	20 764 32	✓	1250/1300 V	51	2
160 A	20 764 32	✓	1250/1300 V	51	2
200 A	20 764 32	✓	1250/1300 V	51	2
250 A	20 764 32	✓	1250/1300 V	51	2
315 A	20 764 32	✓	1250/1300 V	51	2
350 A	20 764 32	✓	1250/1300 V	51	2
400 A	20 764 32	✓	1250/1300 V	51	2
450 A	20 764 32	✓	1250/1300 V	51	2
500 A	20 764 32	✓	1100/1200 V	51	2
550 A	20 764 32	✓	1100/1200 V	51	2
630 A	20 764 32	✓	1100/1200 V	51	2

A	2.78" (70.5 mm)
B	0.94" (24 mm)
D	2.00" (51 mm)
G	2.60" (66 mm)
H	3.50" (89 mm)
L	2.90" (73.5 mm)
M	5/16"

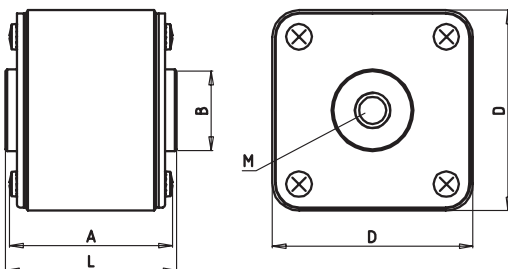




FUSES FOR SEMICONDUCTOR PROTECTION
NORTH AMERICAN AND EUROPEAN STANDARD TYPE SQB

Size 2 **Rated voltage AC 1100-1250/1300 V** **Standard UNC threads**

Rated current	Part No.	UL Rec.	Rated Voltage AC	Weight (kg/100)	Pack
250 A	20 773 31	✓	1250/1300 V	73	2
280 A	20 773 31	✓	1250/1300 V	73	2
315 A	20 773 31	✓	1250/1300 V	73	2
350 A	20 773 31	✓	1250/1300 V	73	2
400 A	20 773 31	✓	1250/1300 V	73	2
450 A	20 773 31	✓	1250/1300 V	73	2
500 A	20 773 31	✓	1250/1300 V	73	2
556 A	20 773 31	✓	1250/1300 V	73	2
630 A	20 773 31	✓	1250/1300 V	73	2
700 A	20 773 31	✓	1100/1200 V	73	2
800 A	20 773 31	✓	1100 V	73	2



A	2.78" (70.5 mm)
B	0.94" (24 mm)
D	2.36" (60 mm)
L	2.90" (73.5 mm)
M	3/8"

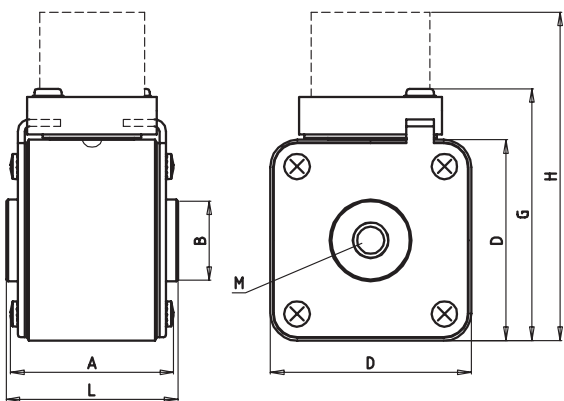


FUSES FOR SEMICONDUCTOR PROTECTION
NORTH AMERICAN AND EUROPEAN STANDARD TYPE SQB

Size 2 **Rated voltage AC 1100-1250/1300 V** **Microswitch fitting** **Standard UNC threads**

Rated current	Part No.	UL Rec.	Rated Voltage AC	Weight (kg/100)	Pack
250 A	20 774 32	✓	1250/1300 V	73	2
280 A	20 774 32	✓	1250/1300 V	73	2
315 A	20 774 32	✓	1250/1300 V	73	2
350 A	20 774 32	✓	1250/1300 V	73	2
400 A	20 774 32	✓	1250/1300 V	73	2
450 A	20 774 32	✓	1250/1300 V	73	2
500 A	20 774 32	✓	1250/1300 V	73	2
556 A	20 774 32	✓	1250/1300 V	73	2
630 A	20 774 32	✓	1250/1300 V	73	2
700 A	20 774 32	✓	1100/1200 V	73	2
800 A	20 774 32	✓	1100 V	73	2

- A** 2.78" (70.5 mm)
- B** 0.94" (24 mm)
- D** 2.36" (60 mm)
- G** 2.95" (75 mm)
- H** 3.86" (98 mm)
- L** 2.90" (73.5 mm)
- M** 3/8"

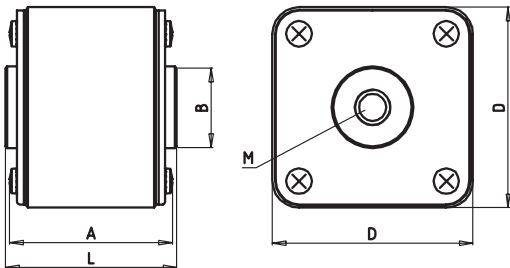




FUSES FOR SEMICONDUCTOR PROTECTION
NORTH AMERICAN AND EUROPEAN STANDARD TYPE SQB

Size 3 **Rated voltage AC 900-1250/1300 V** **Standard UNC threads**

Rated current	Part No.	UL Rec.	Rated Voltage AC	Weight (kg/100)	Pack
315 A	20 783 31	✓	1250/1300 V	102	2
350 A	20 783 31	✓	1250/1300 V	102	2
400 A	20 783 31	✓	1250/1300 V	102	2
450 A	20 783 31	✓	1250/1300 V	102	2
500 A	20 783 31	✓	1250/1300 V	102	2
550 A	20 783 31	✓	1250/1300 V	102	2
630 A	20 783 31	✓	1250/1300 V	102	2
700 A	20 783 31	✓	1250/1300 V	102	2
800 A	20 783 31	✓	1250/1300 V	102	2
1000 A	20 783 31	✓	1000 V	102	2
1100 A	20 783 31	✓	1000 V	102	2
1250 A	20 783 31		900 V	102	2
1400 A	20 783 31		900 V	102	2



A	2,83" (72 mm)
B	1,10" (28 mm)
D	2,87" (73 mm)
L	2,90" (73.5 mm)
M	1/2"

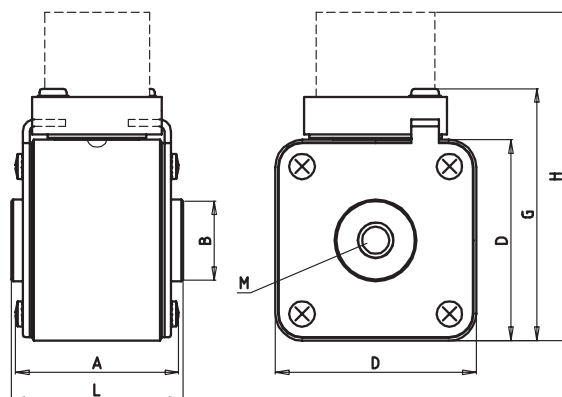


FUSES FOR SEMICONDUCTOR PROTECTION
NORTH AMERICAN AND EUROPEAN STANDARD TYPE SQB

Size 3 **Rated voltage AC 900-1250/1300 V** **Microswitch fitting** **Standard UNC threads**

Rated current	Part No.	UL Rec.	Rated Voltage AC	Weight (kg/100)	Pack
315 A	20 784 32	✓	1250/1300 V	102	2
350 A	20 784 32	✓	1250/1300 V	102	2
400 A	20 784 32	✓	1250/1300 V	102	2
450 A	20 784 32	✓	1250/1300 V	102	2
500 A	20 784 32	✓	1250/1300 V	102	2
550 A	20 784 32	✓	1250/1300 V	102	2
630 A	20 784 32	✓	1250/1300 V	102	2
700 A	20 784 32	✓	1250/1300 V	102	2
800 A	20 784 32	✓	1250/1300 V	102	2
1000 A	20 784 32	✓	1000 V	102	2
1100 A	20 784 32	✓	1000 V	102	2
1250 A	20 784 32		900 V	102	2
1400 A	20 784 32		900 V	102	2

A	2.83" (72 mm)
B	1.10" (28 mm)
D	2.87" (73 mm)
G	3.46" (88 mm)
H	4.37" (111 mm)
L	2.90" (73.5 mm)
M	1/2"

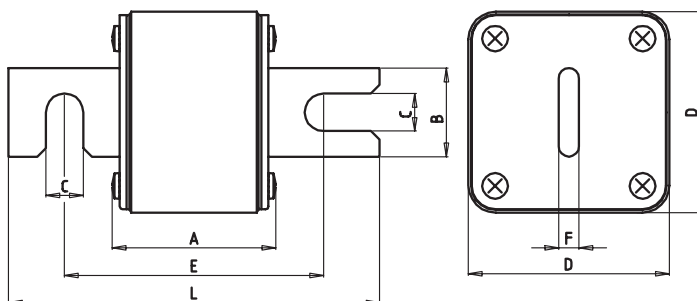




FUSES FOR SEMICONDUCTOR PROTECTION
NORTH AMERICAN AND EUROPEAN STANDARD TYPE SQB

Size 1 **Rated voltage AC 1100-1250/1300 V** **Standard DIN 43653 / 110 mm fixing**

Rated current	Part No.	UL Rec.	Rated Voltage AC	Weight (kg/100)	Pack
50 A	20 713 31	✓	1250/1300 V	54	2
63 A	20 713 31	✓	1250/1300 V	54	2
80 A	20 713 31	✓	1250/1300 V	54	2
100 A	20 713 31	✓	1250/1300 V	54	2
125 A	20 713 31	✓	1250/1300 V	54	2
160 A	20 713 31	✓	1250/1300 V	54	2
200 A	20 713 31	✓	1250/1300 V	54	2
250 A	20 713 31	✓	1250/1300 V	54	2
315 A	20 713 31	✓	1250/1300 V	54	2
350 A	20 713 31	✓	1250/1300 V	54	2
400 A	20 713 31	✓	1250/1300 V	54	2
450 A	20 713 31	✓	1250/1300 V	54	2
500 A	20 713 31	✓	1100/1200 V	54	2
550 A	20 713 31	✓	1100/1200 V	54	2
630 A	20 713 31	✓	1100/1200 V	54	2



A	2.87" (70.5 mm)
B	1.02" (26 mm)
C	0.43" (11 mm)
D	2.00" (51 mm)
E	4.17" (106 mm)
F	0.24" (6 mm)
L	5.43" (138 mm)

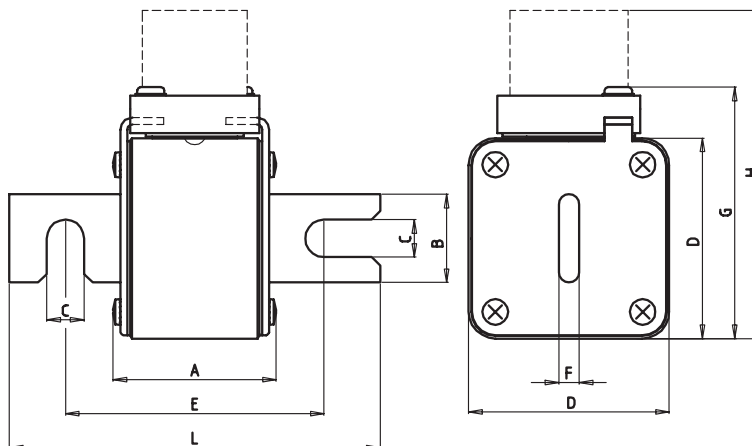


FUSES FOR SEMICONDUCTOR PROTECTION
NORTH AMERICAN AND EUROPEAN STANDARD TYPE SQB

Size **1** Rated voltage **AC 1100-1250/1300 V** Microswitch fitting **DIN 43653 / 110 mm fixing** Standard

Rated current	Part No.	UL Rec.	Rated Voltage AC	Weight (kg/100)	Pack
50 A	20 715 32	✓	1250/1300 V	54	2
63 A	20 715 32	✓	1250/1300 V	54	2
80 A	20 715 32	✓	1250/1300 V	54	2
100 A	20 715 32	✓	1250/1300 V	54	2
125 A	20 715 32	✓	1250/1300 V	54	2
160 A	20 715 32	✓	1250/1300 V	54	2
200 A	20 715 32	✓	1250/1300 V	54	2
250 A	20 715 32	✓	1250/1300 V	54	2
315 A	20 715 32	✓	1250/1300 V	54	2
350 A	20 715 32	✓	1250/1300 V	54	2
400 A	20 715 32	✓	1250/1300 V	54	2
450 A	20 715 32	✓	1250/1300 V	54	2
500 A	20 715 32	✓	1100/1200 V	54	2
550 A	20 715 32	✓	1100/1200 V	54	2
630 A	20 715 32	✓	1100/1200 V	54	2

- A 2.87" (70.5 mm)
- B 1.02" (26 mm)
- C 0.43" (11 mm)
- D 2.00" (51 mm)
- E 4.17" (106 mm)
- F 0.24" (6 mm)
- G 2.60" (66 mm)
- H 3.50" (89 mm)
- L 5.43" (138 mm)

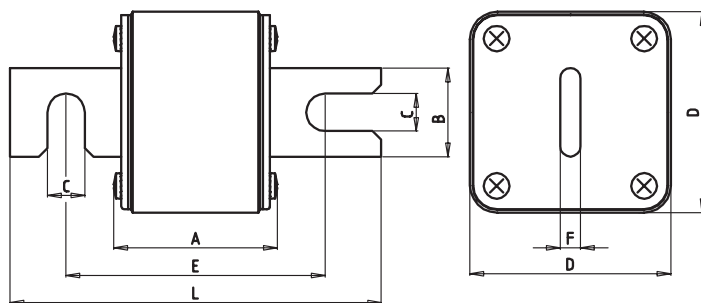




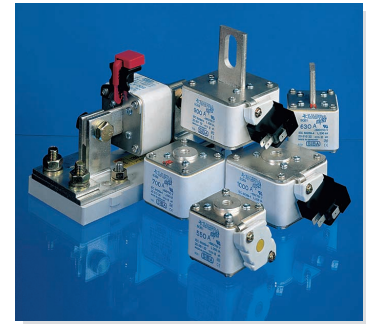
FUSES FOR SEMICONDUCTOR PROTECTION
NORTH AMERICAN AND EUROPEAN STANDARD TYPE SQB

Size 2 **Rated voltage AC 1100-1250/1300 V** **Standard DIN 43653 / 110 mm fixing**

Rated current	Part No.	UL Rec.	Rated Voltage AC	Weight (kg/100)	Pack
250 A	20 723 31	✓	1250/1300 V	75	2
280 A	20 723 31	✓	1250/1300 V	75	2
315 A	20 723 31	✓	1250/1300 V	75	2
350 A	20 723 31	✓	1250/1300 V	75	2
400 A	20 723 31	✓	1250/1300 V	75	2
450 A	20 723 31	✓	1250/1300 V	75	2
500 A	20 723 31	✓	1250/1300 V	75	2
556 A	20 723 31	✓	1250/1300 V	75	2
630 A	20 723 31	✓	1250/1300 V	75	2
700 A	20 723 31	✓	1100/1200 V	75	2
800 A	20 723 31	✓	1100 V	75	2



A	2.78" (70.5 mm)
B	1.02" (26 mm)
C	0.43" (11 mm)
D	2.36" (60 mm)
E	4.17" (106 mm)
F	0.24" (6 mm)
L	5.43" (138 mm)

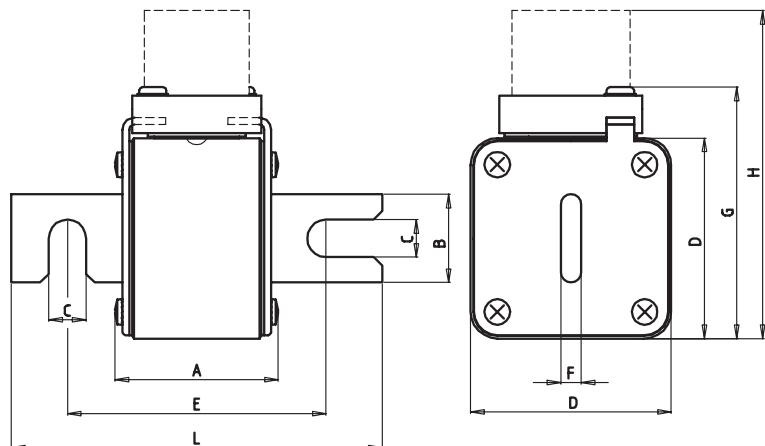


FUSES FOR SEMICONDUCTOR PROTECTION
NORTH AMERICAN AND EUROPEAN STANDARD TYPE SQB

Size **2** Rated voltage **AC 1100-1250/1300 V** Microswitch fitting **DIN 43653 / 110 mm fixing** Standard

Rated current	Part No.	UL Rec.	Rated Voltage AC	Weight (kg/100)	Pack
250 A	20 725 32	✓	1250/1300 V	75	2
280 A	20 725 32	✓	1250/1300 V	75	2
315 A	20 725 32	✓	1250/1300 V	75	2
350 A	20 725 32	✓	1250/1300 V	75	2
400 A	20 725 32	✓	1250/1300 V	75	2
450 A	20 725 32	✓	1250/1300 V	75	2
500 A	20 725 32	✓	1250/1300 V	75	2
556 A	20 725 32	✓	1250/1300 V	75	2
630 A	20 725 32	✓	1250/1300 V	75	2
700 A	20 725 32	✓	1100/1200 V	75	2
800 A	20 725 32	✓	1100 V	75	2

- A 2.78" (70.5 mm)
- B 1.02" (26 mm)
- C 0.43" (11 mm)
- D 2.36" (60 mm)
- E 4.17" (106 mm)
- F 0.24" (6 mm)
- G 2.95" (75 mm)
- H 3.86" (98 mm)
- L 5.43" (138 mm)

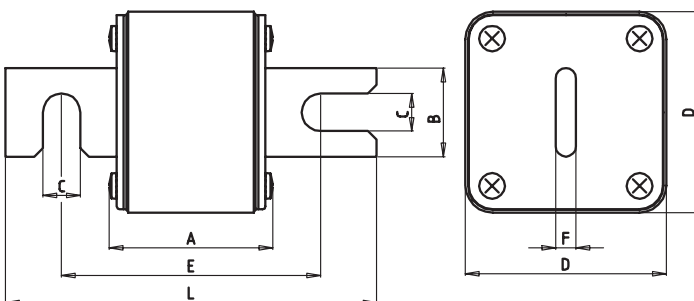




FUSES FOR SEMICONDUCTOR PROTECTION
NORTH AMERICAN AND EUROPEAN STANDARD TYPE SQB

Size 3 **Rated voltage AC 900-1250/1300 V** **Standard DIN 43653 / 110 mm fixing**

Rated current	Part No.	UL Rec.	Rated Voltage AC	Weight (kg/100)	Pack
315 A	20 733 31	✓	1250/1300 V	104	2
350 A	20 733 31	✓	1250/1300 V	104	2
400 A	20 733 31	✓	1250/1300 V	104	2
450 A	20 733 31	✓	1250/1300 V	104	2
500 A	20 733 31	✓	1250/1300 V	104	2
550 A	20 733 31	✓	1250/1300 V	104	2
630 A	20 733 31	✓	1250/1300 V	104	2
700 A	20 733 31	✓	1250/1300 V	104	2
800 A	20 733 31	✓	1250/1300 V	104	2
1000 A	20 733 31	✓	1000 V	104	2
1100 A	20 733 31	✓	1000 V	104	2
1250 A	20 733 31		900 V	104	2
1400 A	20 733 31		900 V	104	2



A	2.83" (72 mm)
B	1.38" (35 mm)
C	0.43" (11 mm)
D	2.87" (73 mm)
E	4.17" (106 mm)
F	0.24" (6 mm)
L	5.43" (138 mm)

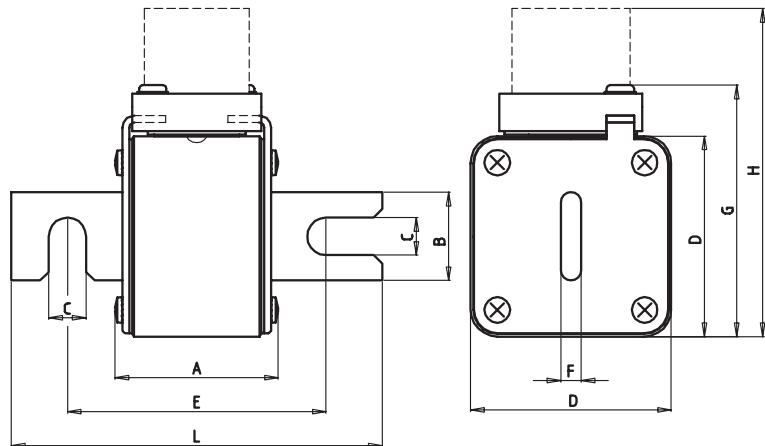


FUSES FOR SEMICONDUCTOR PROTECTION
NORTH AMERICAN AND EUROPEAN STANDARD TYPE SQB

Size 3 **Rated voltage AC 900-1250/1300 V** **Microswitch fitting** **Standard DIN 43653 / 110 mm fixing**

Rated current	Part No.	UL Rec.	Rated Voltage AC	Weight (kg/100)	Pack
315 A	20 735 32	✓	1250/1300 V	104	2
350 A	20 735 32	✓	1250/1300 V	104	2
400 A	20 735 32	✓	1250/1300 V	104	2
450 A	20 735 32	✓	1250/1300 V	104	2
500 A	20 735 32	✓	1250/1300 V	104	2
550 A	20 735 32	✓	1250/1300 V	104	2
630 A	20 735 32	✓	1250/1300 V	104	2
700 A	20 735 32	✓	1250/1300 V	104	2
800 A	20 735 32	✓	1250/1300 V	104	2
1000 A	20 735 32	✓	1000 V	104	2
1100 A	20 735 32	✓	1000 V	104	2
1250 A	20 735 32		900 V	104	2
1400 A	20 735 32		900 V	104	2

- A** 2.83" (72 mm)
- B** 1.38" (35 mm)
- C** 0.43" (11 mm)
- D** 2.87" (73 mm)
- E** 4.17" (106 mm)
- F** 0.24" (6 mm)
- G** 3.46" (88 mm)
- H** 4.37" (111 mm)
- L** 5.43" (138 mm)

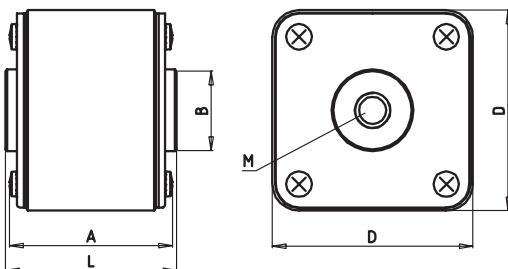




FUSES FOR SEMICONDUCTOR PROTECTION
NORTH AMERICAN AND EUROPEAN STANDARD TYPE SQB

Size 1 **Rated voltage AC 1100-1250/1300 V** **Standard DIN 43653 / Metric thread**

Rated current	Part No.	UL Rec.	Rated Voltage AC	Weight (kg/100)	Pack
50 A	20 760 31	✓	1250/1300 V	51	2
63 A	20 760 31	✓	1250/1300 V	51	2
80 A	20 760 31	✓	1250/1300 V	51	2
100 A	20 760 31	✓	1250/1300 V	51	2
125 A	20 760 31	✓	1250/1300 V	51	2
160 A	20 760 31	✓	1250/1300 V	51	2
200 A	20 760 31	✓	1250/1300 V	51	2
250 A	20 760 31	✓	1250/1300 V	51	2
315 A	20 760 31	✓	1250/1300 V	51	2
350 A	20 760 31	✓	1250/1300 V	51	2
400 A	20 760 31	✓	1250/1300 V	51	2
450 A	20 760 31	✓	1250/1300 V	51	2
500 A	20 760 31	✓	1100/1200 V	51	2
550 A	20 760 31	✓	1100/1200 V	51	2
630 A	20 760 31	✓	1100/1200 V	51	2



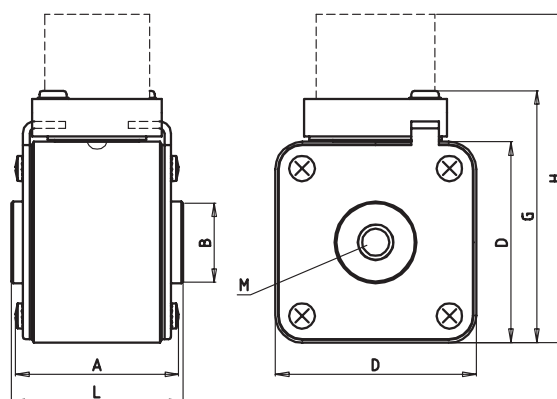
A	2.78" (70.5 mm)
B	0.94" (24 mm)
D	2.00" (51 mm)
L	2.90" (73.5 mm)
M	M 8



FUSES FOR SEMICONDUCTOR PROTECTION
NORTH AMERICAN AND EUROPEAN STANDARD TYPE SQB

Size 1 **Rated voltage AC 1100-1250/1300 V** **Microswitch fitting DIN 43653 / Metric thread** **Standard**

Rated current	Part No.	UL Rec.	Rated Voltage AC	Weight (kg/100)	Pack
50 A	20 761 32	✓	1250/1300 V	51	2
63 A	20 761 32	✓	1250/1300 V	51	2
80 A	20 761 32	✓	1250/1300 V	51	2
100 A	20 761 32	✓	1250/1300 V	51	2
125 A	20 761 32	✓	1250/1300 V	51	2
160 A	20 761 32	✓	1250/1300 V	51	2
200 A	20 761 32	✓	1250/1300 V	51	2
250 A	20 761 32	✓	1250/1300 V	51	2
315 A	20 761 32	✓	1250/1300 V	51	2
350 A	20 761 32	✓	1250/1300 V	51	2
400 A	20 761 32	✓	1250/1300 V	51	2
450 A	20 761 32	✓	1250/1300 V	51	2
500 A	20 761 32	✓	1100/1200 V	51	2
550 A	20 761 32	✓	1100/1200 V	51	2
630 A	20 761 32	✓	1100/1200 V	51	2



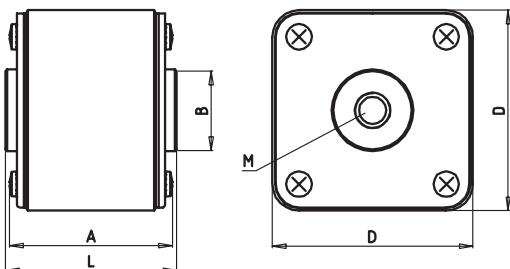
- A** 2.78" (70.5 mm)
- B** 0.94" (24 mm)
- D** 2.00" (51 mm)
- G** 2.60" (66 mm)
- H** 3.50" (89 mm)
- L** 2.90" (73.5 mm)
- M** M 8



FUSES FOR SEMICONDUCTOR PROTECTION
NORTH AMERICAN AND EUROPEAN STANDARD TYPE SQB

Size **2** Rated voltage **AC 1100-1250/1300 V** Standard **DIN 43653 / Metric thread**

Rated current	Part No.	UL Rec.	Rated Voltage AC	Weight (kg/100)	Pack
250 A	20 770 31	✓	1250/1300 V	73	2
280 A	20 770 31	✓	1250/1300 V	73	2
315 A	20 770 31	✓	1250/1300 V	73	2
350 A	20 770 31	✓	1250/1300 V	73	2
400 A	20 770 31	✓	1250/1300 V	73	2
450 A	20 770 31	✓	1250/1300 V	73	2
500 A	20 770 31	✓	1250/1300 V	73	2
556 A	20 770 31	✓	1250/1300 V	73	2
630 A	20 770 31	✓	1250/1300 V	73	2
700 A	20 770 31	✓	1100/1200 V	73	2
800 A	20 770 31	✓	1100 V	73	2



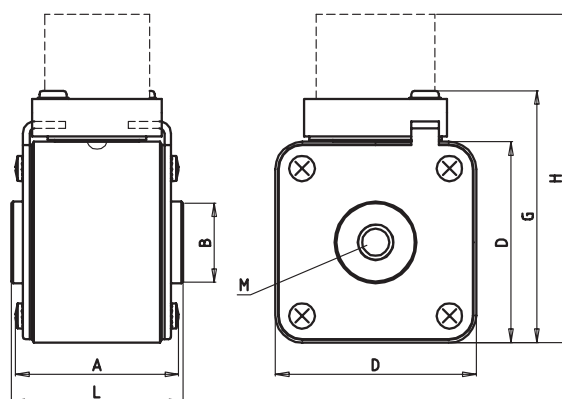
A	2.78" (70.5 mm)
B	0.94" (24 mm)
D	2.36" (60 mm)
L	2.90" (73.5 mm)
M	M 10



FUSES FOR SEMICONDUCTOR PROTECTION
NORTH AMERICAN AND EUROPEAN STANDARD TYPE SQB

Size 2 **Rated voltage AC 1100-1250/1300 V** **Microswitch fitting DIN 43653 / Metric thread** **Standard**

Rated current	Part No.	UL Rec.	Rated Voltage AC	Weight (kg/100)	Pack
250 A	20 771 32	✓	1250/1300 V	73	2
280 A	20 771 32	✓	1250/1300 V	73	2
315 A	20 771 32	✓	1250/1300 V	73	2
350 A	20 771 32	✓	1250/1300 V	73	2
400 A	20 771 32	✓	1250/1300 V	73	2
450 A	20 771 32	✓	1250/1300 V	73	2
500 A	20 771 32	✓	1250/1300 V	73	2
556 A	20 771 32	✓	1250/1300 V	73	2
630 A	20 771 32	✓	1250/1300 V	73	2
700 A	20 771 32	✓	1100/1200 V	73	2
800 A	20 771 32	✓	1100 V	73	2



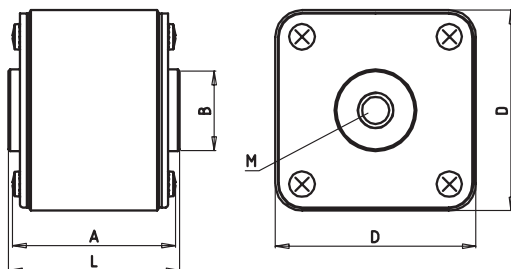
A	2.78" (70.5 mm)
B	0.94" (24 mm)
D	2.36" (60 mm)
G	2.95" (75 mm)
H	3.86" (98 mm)
L	2.90" (73.5 mm)
M	M 10



FUSES FOR SEMICONDUCTOR PROTECTION
NORTH AMERICAN AND EUROPEAN STANDARD TYPE SQB

Size 3 **Rated voltage AC 900-1250/1300 V** **Standard DIN 43653 / Metric thread**

Rated current	Part No.	UL Rec.	Rated Voltage AC	Weight (kg/100)	Pack
315 A	20 780 31	✓	1250/1300 V	102	2
350 A	20 780 31	✓	1250/1300 V	102	2
400 A	20 780 31	✓	1250/1300 V	102	2
450 A	20 780 31	✓	1250/1300 V	102	2
500 A	20 780 31	✓	1250/1300 V	102	2
550 A	20 780 31	✓	1250/1300 V	102	2
630 A	20 780 31	✓	1250/1300 V	102	2
700 A	20 780 31	✓	1250/1300 V	102	2
800 A	20 780 31	✓	1250/1300 V	102	2
1000 A	20 780 31	✓	1000 V	102	2
1100 A	20 780 31	✓	1000 V	102	2
1250 A	20 780 31		900 V	102	2
1400 A	20 780 31		900 V	102	2



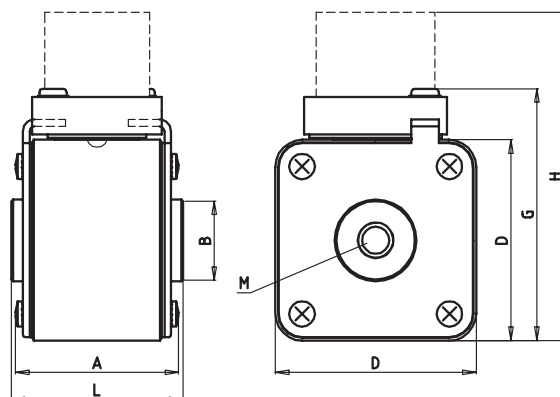
A	2.83" (72 mm)
B	1.10" (28 mm)
D	2.87" (73 mm)
L	2.90" (73.5 mm)
M	M 12



FUSES FOR SEMICONDUCTOR PROTECTION
NORTH AMERICAN AND EUROPEAN STANDARD TYPE SQB

Size 3 **Rated voltage AC 900-1250/1300 V** **Microswitch fitting DIN 43653 / Metric thread** **Standard**

Rated current	Part No.	UL Rec.	Rated Voltage AC	Weight (kg/100)	Pack
315 A	20 781 32	✓	1250/1300 V	102	2
350 A	20 781 32	✓	1250/1300 V	102	2
400 A	20 781 32	✓	1250/1300 V	102	2
450 A	20 781 32	✓	1250/1300 V	102	2
500 A	20 781 32	✓	1250/1300 V	102	2
550 A	20 781 32	✓	1250/1300 V	102	2
630 A	20 781 32	✓	1250/1300 V	102	2
700 A	20 781 32	✓	1250/1300 V	102	2
800 A	20 781 32	✓	1250/1300 V	102	2
1000 A	20 781 32	✓	1000 V	102	2
1100 A	20 781 32	✓	1000 V	102	2
1250 A	20 781 32		900 V	102	2
1400 A	20 781 32		900 V	102	2



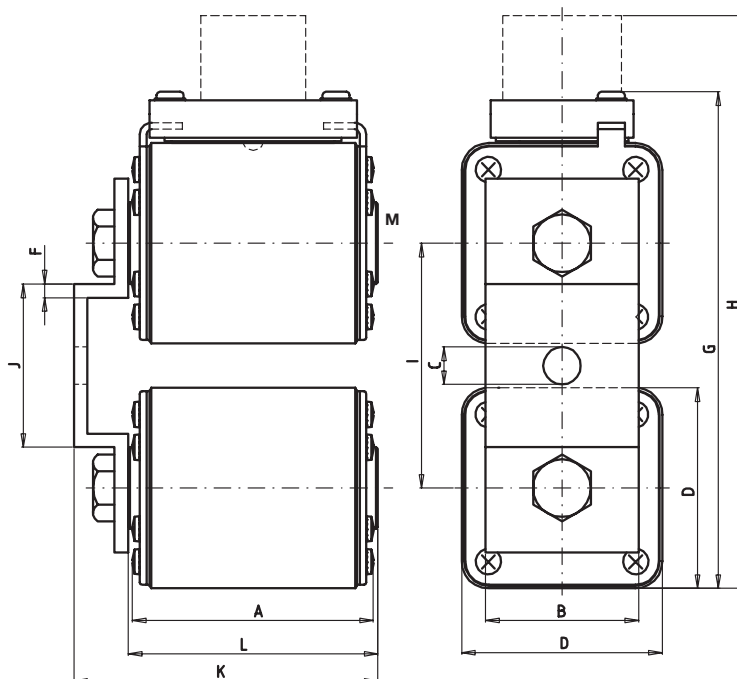
A	2.83" (82 mm)
B	1.10" (28 mm)
D	2.87" (73 mm)
G	3.46" (88 mm)
H	4.37" (111 mm)
L	2.90" (73.5 mm)
M	M 12



FUSES FOR SEMICONDUCTOR PROTECTION
NORTH AMERICAN AND EUROPEAN STANDARD TYPE SQB

Size **2** Rated voltage **AC 1000-1250 V** Standard **DIN 43653 / Metric thread**

Rated current	Part No.	UL Rec.	Rated Voltage AC	Weight (kg/100)	Pack
630 A	20 778 32	✓	1250 V	145	1
700 A	20 778 32	✓	1250 V	145	1
800 A	20 778 32	✓	1250 V	145	1
900 A	20 778 32	✓	1250 V	145	1
1000 A	20 778 32	✓	1250 V	145	1
1100 A	20 778 32	✓	1250 V	145	1
1250 A	20 778 32	✓	1250 V	145	1
1400 A	20 778 32	✓	1100 V	145	1
1600 A	20 778 32	✓	1000 V	145	1



- A 2.78" (70,5 mm)
- B 1.77" (45 mm)
- C 0.43" (11 mm)
- D 2.32" (59 mm)
- F 0.16" (4 mm)
- G 5.83" (148 mm)
- H 6.61" (168 mm)
- I 2.83" (72 mm)
- J 1.89" (48 mm)
- K 3.54" (90 mm)
- L 2.89" (73.5 mm)
- M M 10



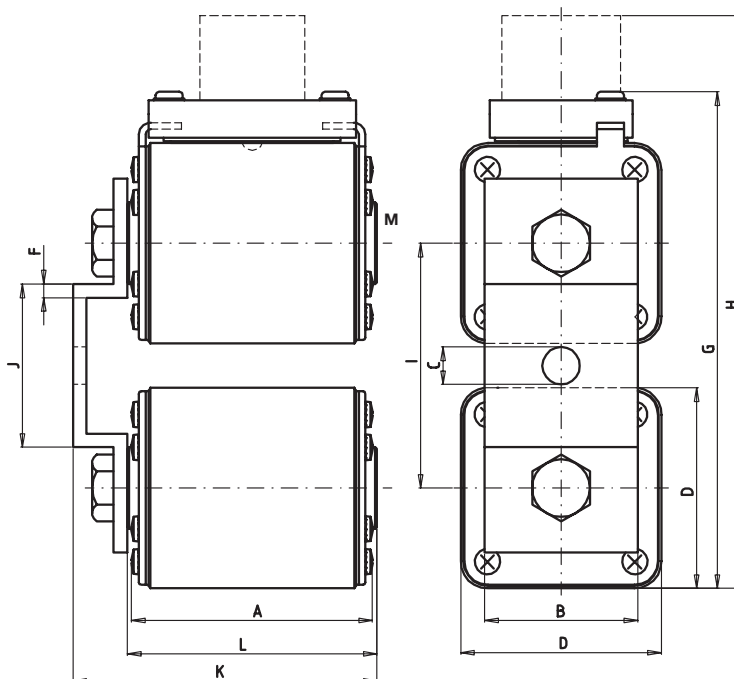
FUSES FOR SEMICONDUCTOR PROTECTION
NORTH AMERICAN AND EUROPEAN STANDARD TYPE SQB

Size
3

Rated voltage
AC 1000-1250 V

Standard
DIN 43653 / Metric thread

Rated current	Part No.	UL Rec.	Rated Voltage AC	Weight (kg/100)	Pack
800 A	20 788 32	✓	1250 V	265	1
900 A	20 788 32	✓	1250 V	265	1
1000 A	20 788 32	✓	1250 V	265	1
1250 A	20 788 32	✓	1250 V	265	1
1400 A	20 788 32	✓	1250 V	265	1
1600 A	20 788 32	✓	1250 V	265	1
1800 A	20 788 32	✓	1250 V	265	1
2000 A	20 788 32	✓	1100 V	265	1
2200 A	20 788 32	✓	1000 V	265	1



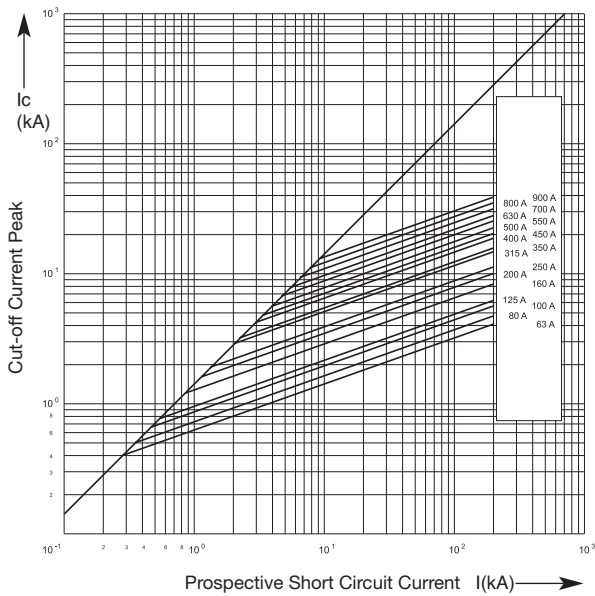
- A** 2.83" (72 mm)
- B** 1.97" (50 mm)
- C** 0.51" (13 mm)
- D** 2.87" (73 mm)
- F** 0.16" (4 mm)
- G** 6.77" (172 mm)
- H** 7.94" (195 mm)
- I** 3.39" (86 mm)
- J** 2.13" (54 mm)
- K** 3.54" (90 mm)
- L** 2.89" (73,5 mm)
- M** M 12

Size 1	Rated voltage AC 690/700 V	Operating class aR	Rated breaking capacity 200 kA
-------------------------	---	-------------------------------------	---

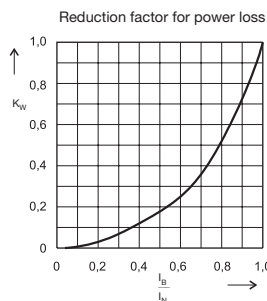
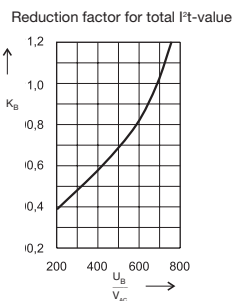
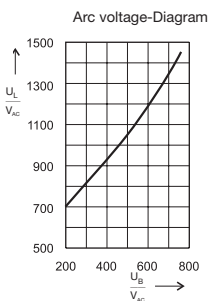
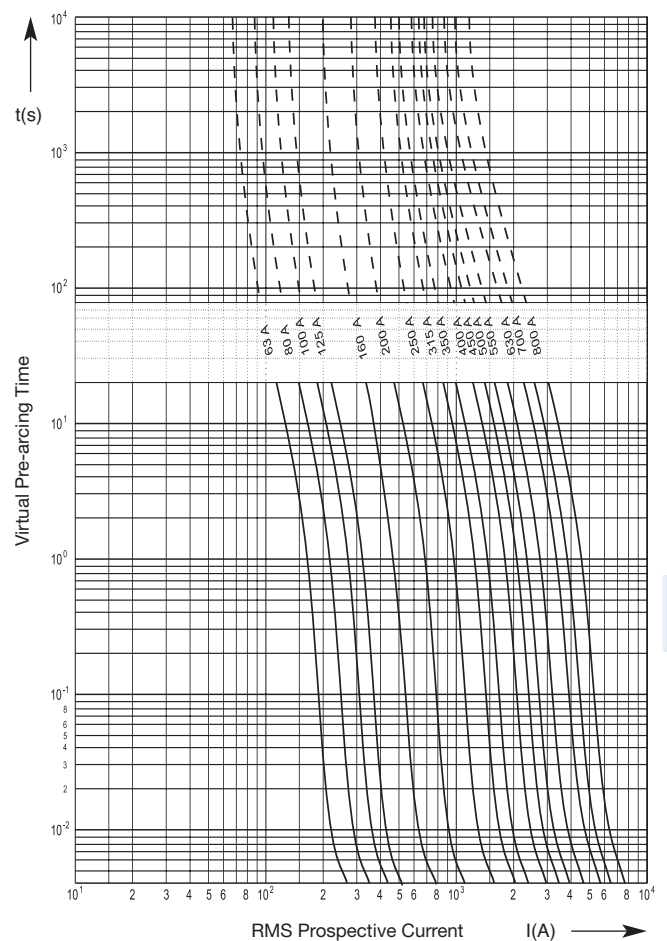
Rated current	Rated Voltage U_n IEC 60269-4	Rated Voltage U_n UL 248-13	Power loss W	Pre-arcing I^2t -value A ² s	Total I^2t -value @ 660 V A ² s
63 A	690 V	700 V	19	160	850
80 A	690 V	700 V	24	260	1,400
100 A	690 V	700 V	30	420	2,300
125 A	690 V	700 V	35	600	3,100
160 A	690 V	700 V	40	1,400	7,500
200 A	690 V	700 V	44	2,400	13,000
250 A	690 V	700 V	51	3,700	21,000
315 A	690 V	700 V	59	6,600	39,000
350 A	690 V	700 V	61	9,900	55,000
400 A	690 V	700 V	65	17,000	96,000
450 A	690 V	700 V	70	22,000	130,000
500 A	690 V	700 V	72	31,000	180,000
550 A	690 V	700 V	75	41,000	250,000
630 A	690 V	700 V	80	61,000	370,000
700 A	690 V *	700 V	85	86,000	490,000
800 A	690 V *	700 V	99	120,000	750,000
900 A	690 V *	700 V	105	170,000	990,000

* tested @ 1.05 x U_n

Cut-off-characteristics



Time / Current Characteristics

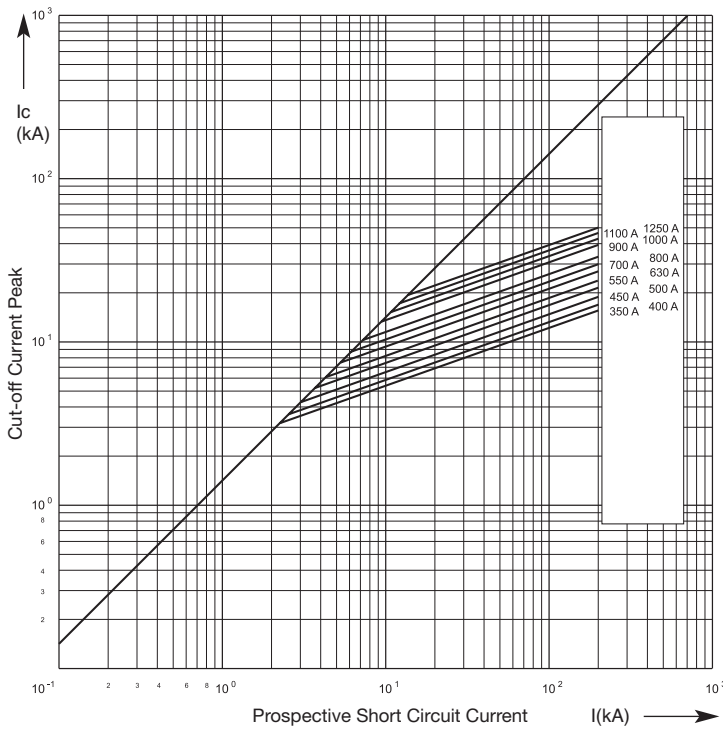


Size 2	Rated voltage AC 690/700 V	Operating class aR	Rated breaking capacity 200 kA
------------------	--------------------------------------	------------------------------	--

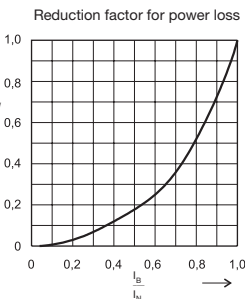
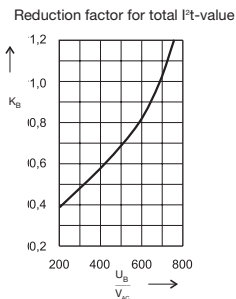
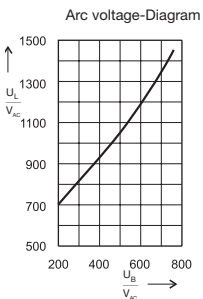
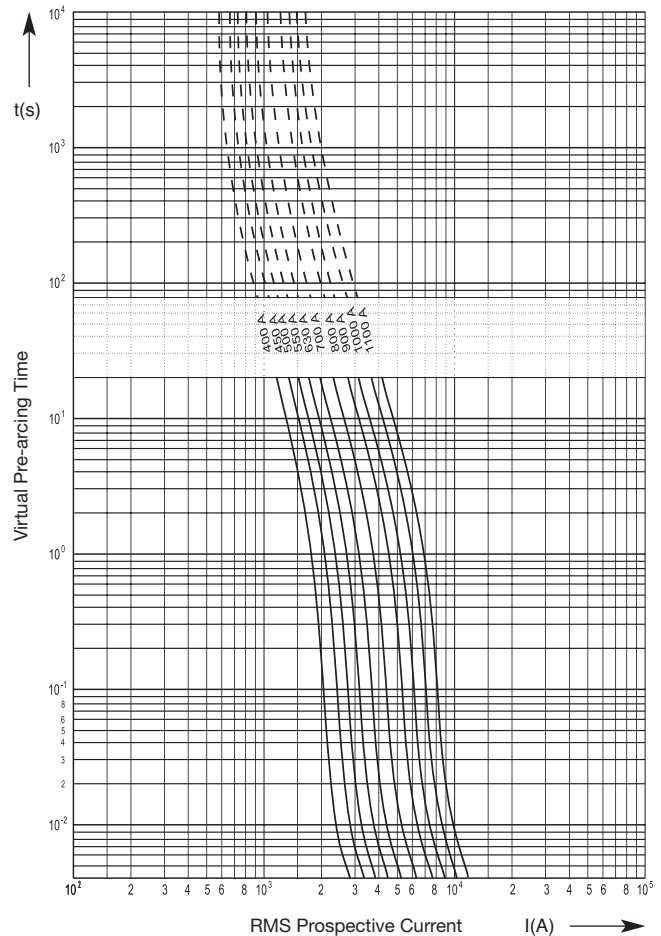
Rated current	Rated Voltage U_n IEC 60269-4	Rated Voltage U_n UL 248-13	Power loss W	Pre-arcing I^2t -value A ² s	Total I^2t -value @ 660 V A ² s
400 A	690 V	700 V	65	13,000	75,000
450 A	690 V	700 V	75	18,000	110,000
500 A	690 V	700 V	80	26,000	150,000
550 A	690 V	700 V	85	36,000	195,000
630 A	690 V	700 V	94	55,000	300,000
700 A	690 V	700 V	99	74,000	410,000
800 A	690 V	700 V	108	100,000	580,000
900 A	690 V *	700 V	111	170,000	950,000
1000 A	690 V *	700 V	115	230,000	1,260,000
1100 A	600 V *	600 V	130	290,000	1,600,000
1250 A	600 V *	600 V	140	370,000	2,140,000

* tested @ 1.05 x U_n

Cut-off-characteristics



Time / Current Characteristics

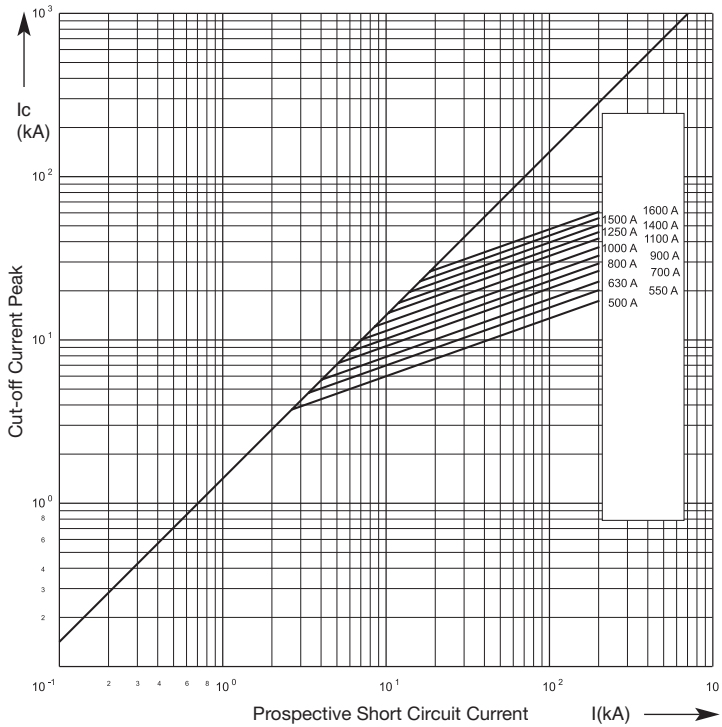


Size 3	Rated voltage AC 690/700 V	Operating class aR	Rated breaking capacity 200 kA
-------------------------	---	-------------------------------------	---

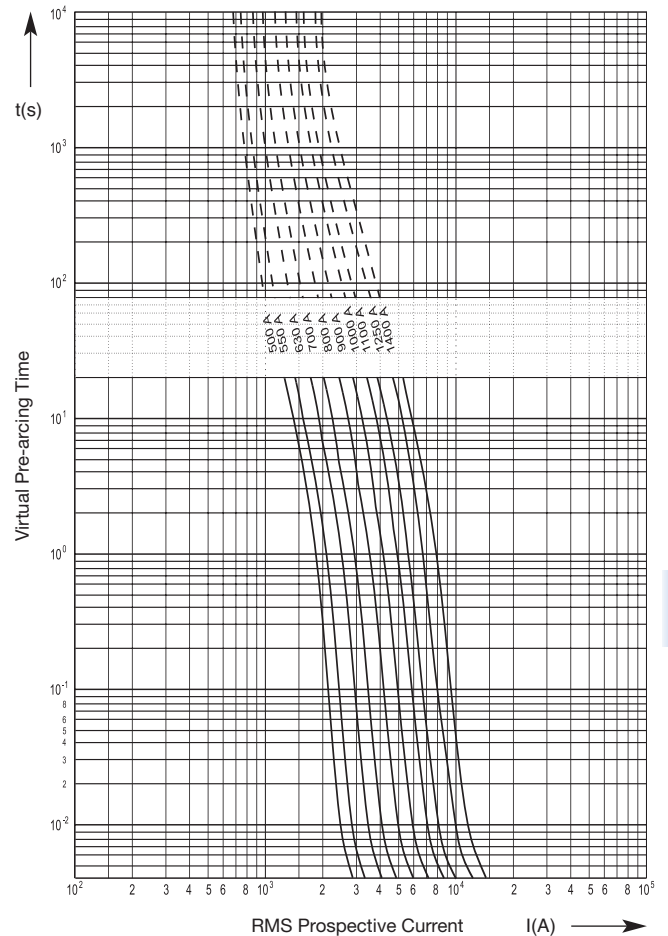
Rated current	Rated Voltage U_n IEC 60269-4	Rated Voltage U_n UL 248-13	Power loss W	Pre-arcing I^2t -value A ² s	Total I^2t -value @ 660 V A ² s
500 A	690 V	700 V	90	18,000	100,000
550 A	690 V	700 V	100	22,000	130,000
630 A	690 V	700 V	108	31,000	190,000
700 A	690 V	700 V	113	50,000	300,000
800 A	690 V	700 V	118	85,000	480,000
900 A	690 V	700 V	120	115,000	660,000
1000 A	690 V	700 V	131	140,000	860,000
1100 A	690 V *	700 V	136	210,000	1,200,000
1250 A	690 V *	700 V	147	290,000	1,750,000
1400 A	690 V *	700 V	161	380,000	2,200,000
1500 A	600 V *	600 V	170	490,000	3,000,000
1600 A	600 V *	600 V	190	590,000	3,700,000

* tested @ 1.05 x U_n

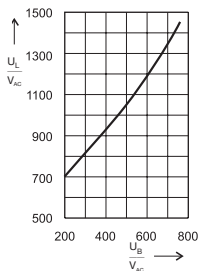
Cut-off-characteristics



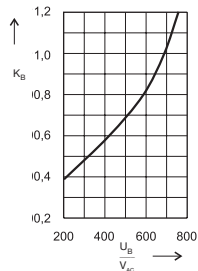
Time / Current Characteristics



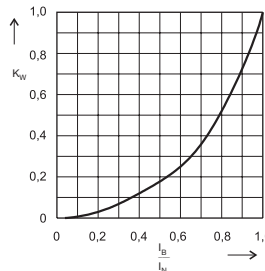
Arc voltage-Diagram



Reduction factor for total I^2t -value



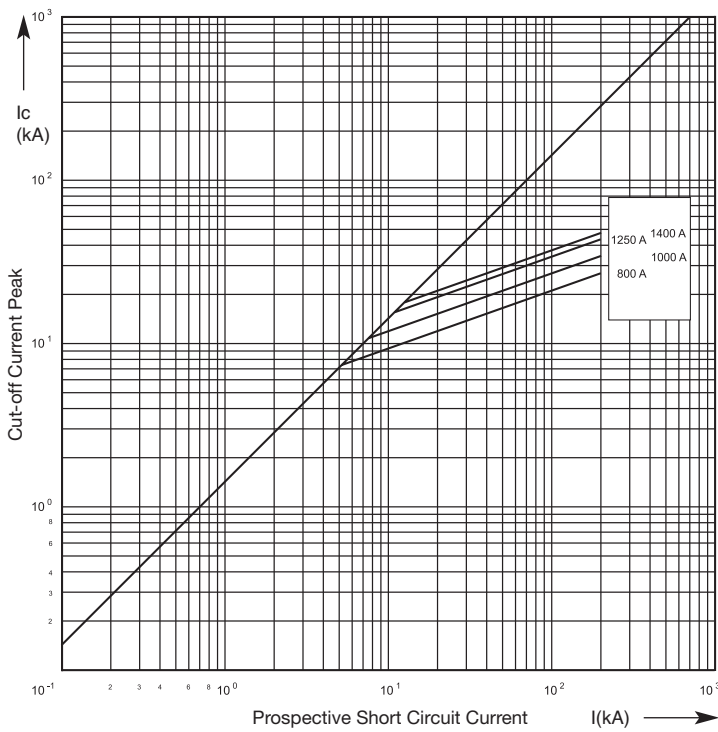
Reduction factor for power loss



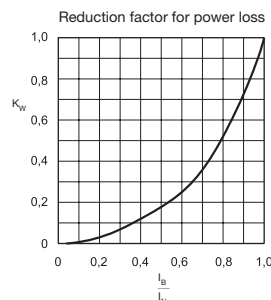
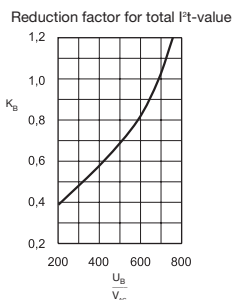
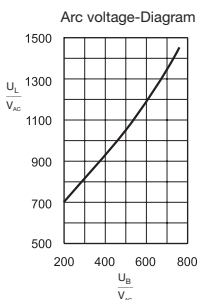
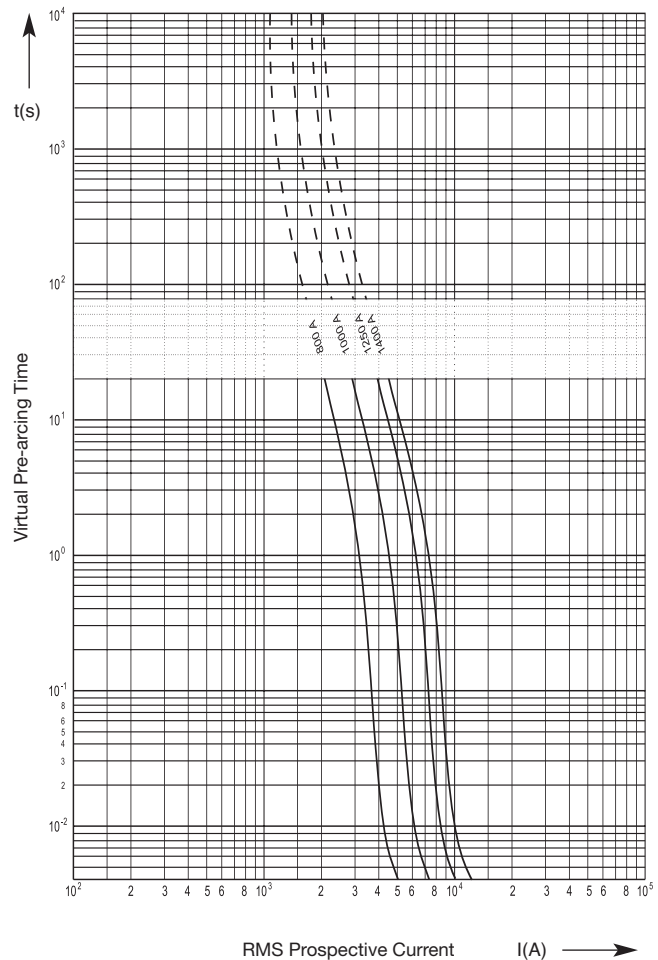
Size **2** Rated voltage **AC 690/700 V** Operating class **aR**

Rated current	Rated Voltage U_n IEC 60269-4	Rated Voltage U_n UL 248-13	Part No.	Power loss W	Pre-arcing I^2t -value A ² s	Total I^2t -value @ 660 V A ² s
800 A	690 V	700 V	20 678 32	136	52,000	300,000
1000 A	690 V	700 V	20 678 32	168	104,000	600,000
1250 A	690 V	700 V	20 678 32	197	216,000	1,065,000
1400 A	690 V	700 V	20 678 32	208	296,000	1,640,000

Cut-off-characteristics



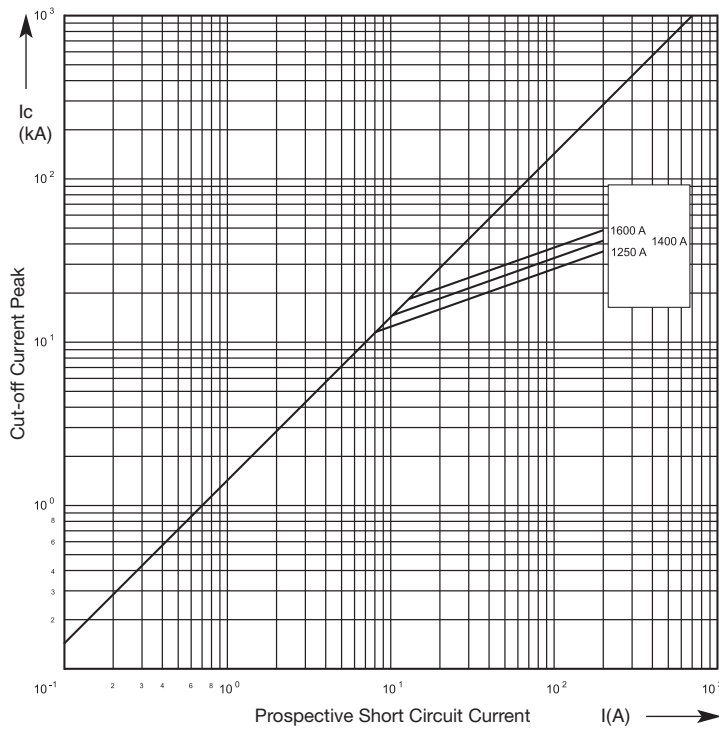
Time / Current Characteristics



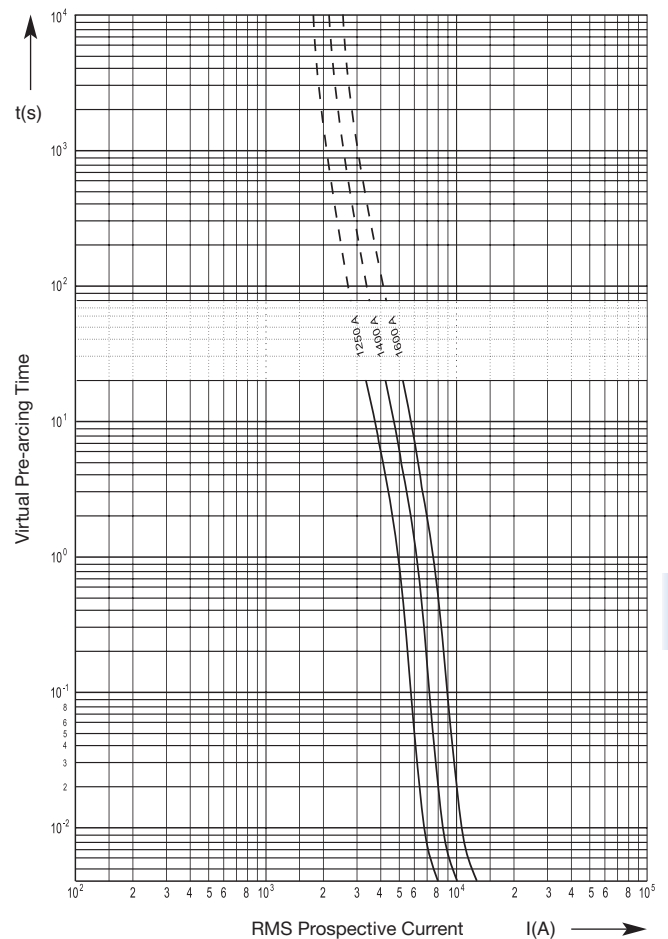
Size 3	Rated voltage AC 690/700 V	Operating class aR
-------------------------	---	-------------------------------------

Rated current	Rated Voltage U_n IEC 60269-4	Rated Voltage U_n UL 248-13	Part No.	Power loss W	Pre-arcing I^2t -value A ² s	Total I^2t -value @ 660 V A ² s
1250 A	690 V	700 V	20 688 32	227	128,000	760,000
1400 A	690 V	700 V	20 688 32	237	200,000	1,200,000
1600 A	690 V	700 V	20 688 32	248	340,000	1,920,000

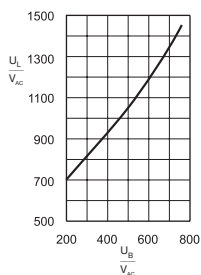
Cut-off-characteristics



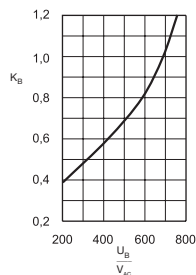
Time / Current Characteristics



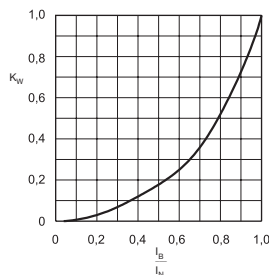
Arc voltage-Diagram



Reduction factor for total I^2t -value



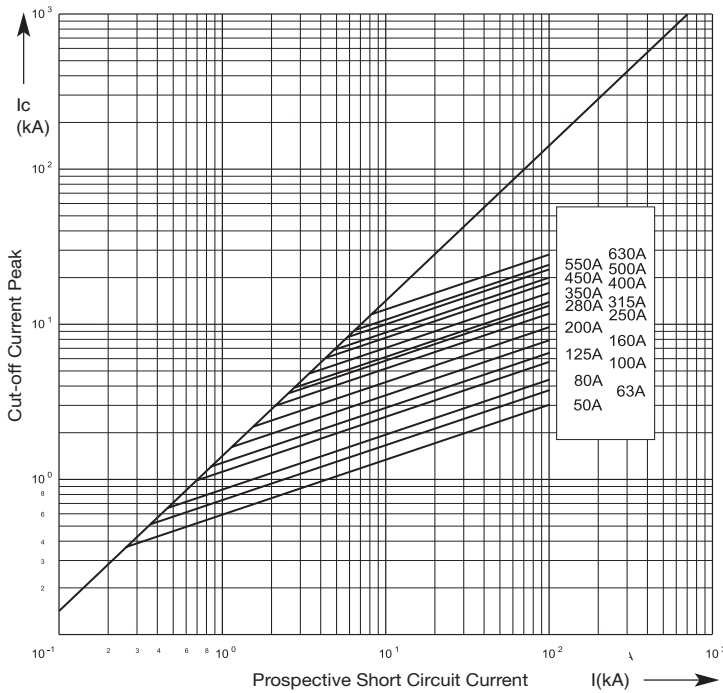
Reduction factor for power loss



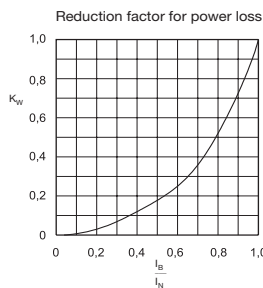
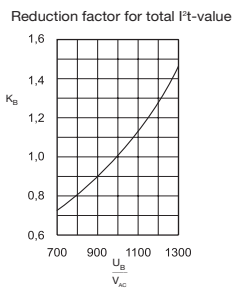
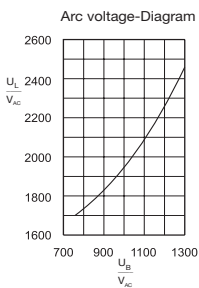
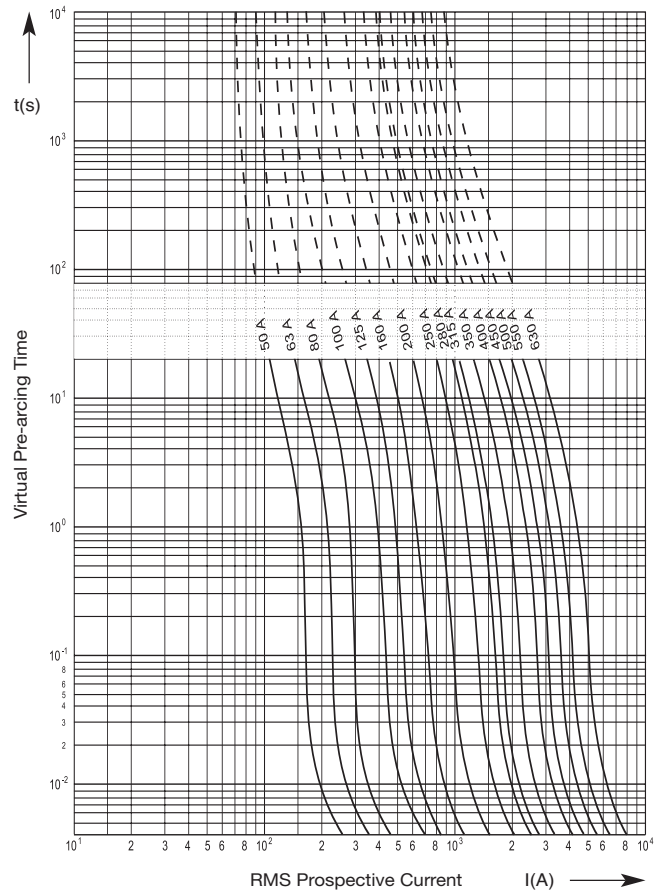
Size 1	Rated voltage AC 1250/1300 V	Operating class aR	Rated breaking capacity 100 kA
------------------	--	------------------------------	--

Rated current	Rated Voltage U_N IEC 60269-4	Rated Voltage U_N UL 248-13	Power loss W	Pre-arcing I^2t -value A ² s	Total I^2t -value @ 1000 V A ² s
50 A	1250 V	1300 V	29	130	730
63 A	1250 V	1300 V	32	250	1,400
80 A	1250 V	1300 V	35	410	2,300
100 A	1250 V	1300 V	38	930	5,200
125 A	1250 V	1300 V	41	1,400	7,800
160 A	1250 V	1300 V	45	2,500	14,000
200 A	1250 V	1300 V	49	4,600	25,000
250 A	1250 V	1300 V	58	8,400	46,000
280 A	1250 V	1300 V	60	12,500	64,000
315 A	1250 V	1300 V	67	15,000	81,000
350 A	1250 V	1300 V	70	22,000	120,000
400 A	1250 V	1300 V	75	36,000	200,000
450 A	1250 V	1300 V	80	44,000	250,000
500 A	1100 V	1200 V	87	66,000	340,000
550 A	1100 V	1200 V	94	83,000	430,000
630 A	1100 V	1200 V	99	126,000	670,000

Cut-off-characteristics



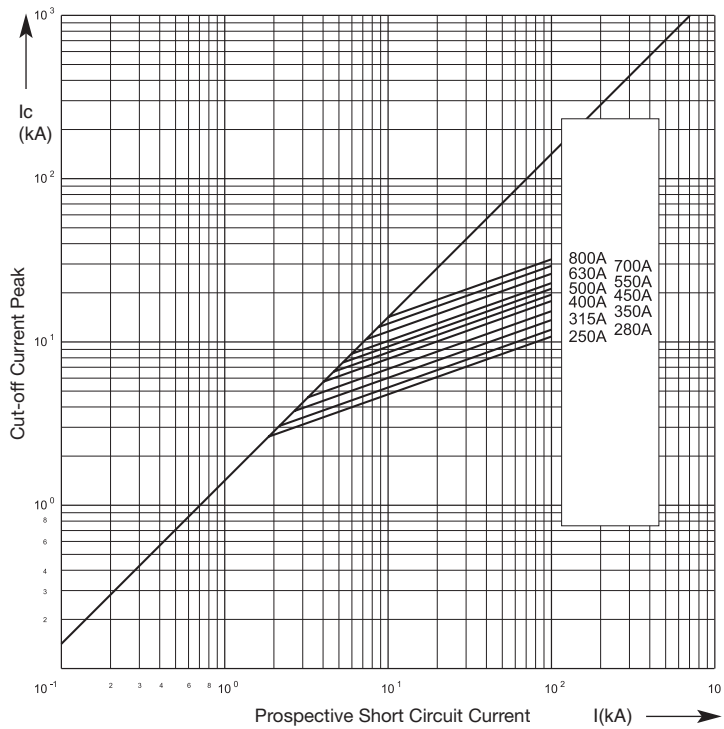
Time / Current Characteristics



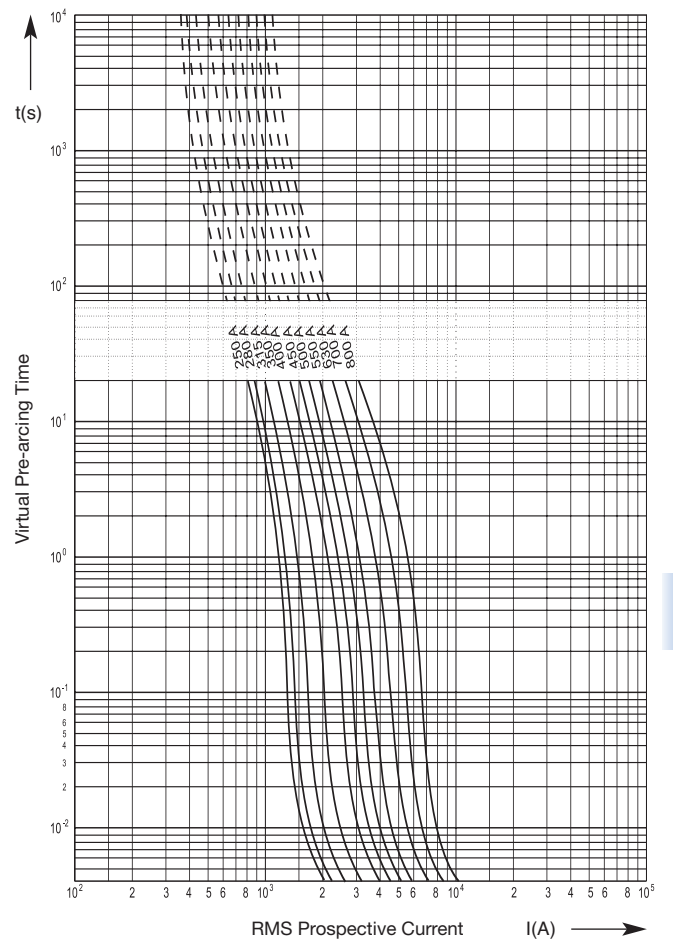
Size 2	Rated voltage AC 1250/1300 V	Operating class aR	Rated breaking capacity 100 kA
-------------------------	---	-------------------------------------	---

Rated current	Rated Voltage U_N IEC 60269-4	Rated Voltage U_N UL 248-13	Power loss W	Pre-arcing I^2t -value A ² s	Total I^2t -value @ 1000 V A ² s
250 A	1250 V	1300 V	55	8,200	45,000
280 A	1250 V	1300 V	59	9,900	56,000
315 A	1250 V	1300 V	66	14,000	78,000
350 A	1250 V	1300 V	71	20,000	110,000
400 A	1250 V	1300 V	75	31,000	170,000
450 A	1250 V	1300 V	80	42,000	240,000
500 A	1250 V	1300 V	90	56,000	310,000
550 A	1250 V	1300 V	105	71,000	350,000
630 A	1250 V	1300 V	110	105,000	540,000
700 A	1100 V	1200 V	115	148,000	710,000
800 A	1100 V	1100 V	123	225,000	1,180,000

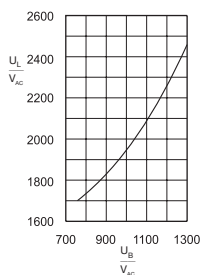
Cut-off-characteristics



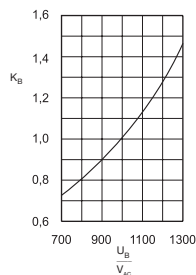
Time / Current Characteristics



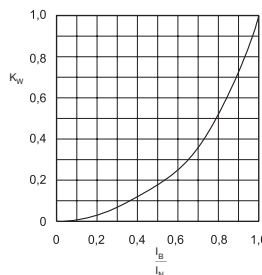
Arc voltage-Diagram



Reduction factor for total I²t-value



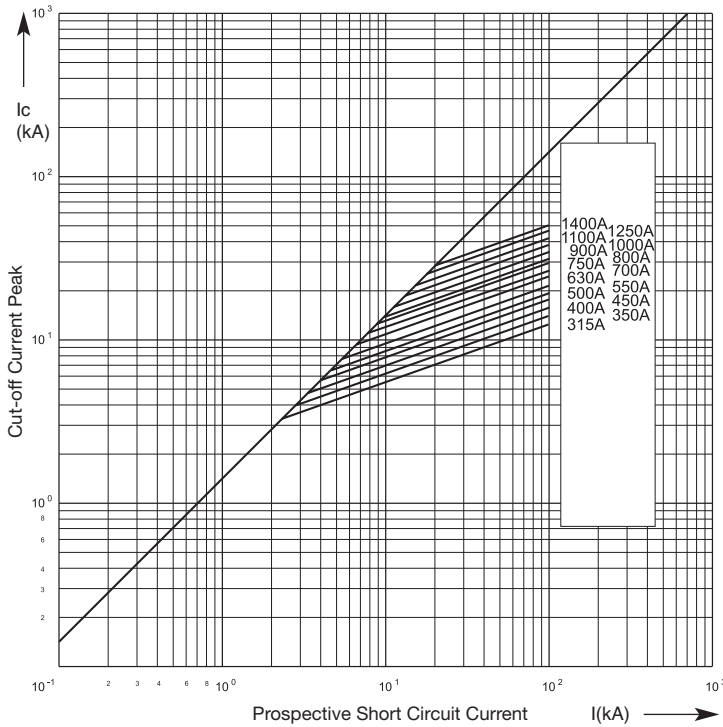
Reduction factor for power loss



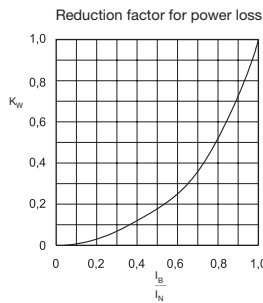
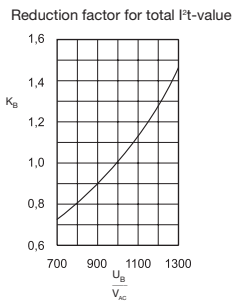
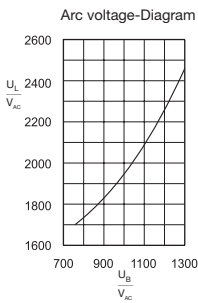
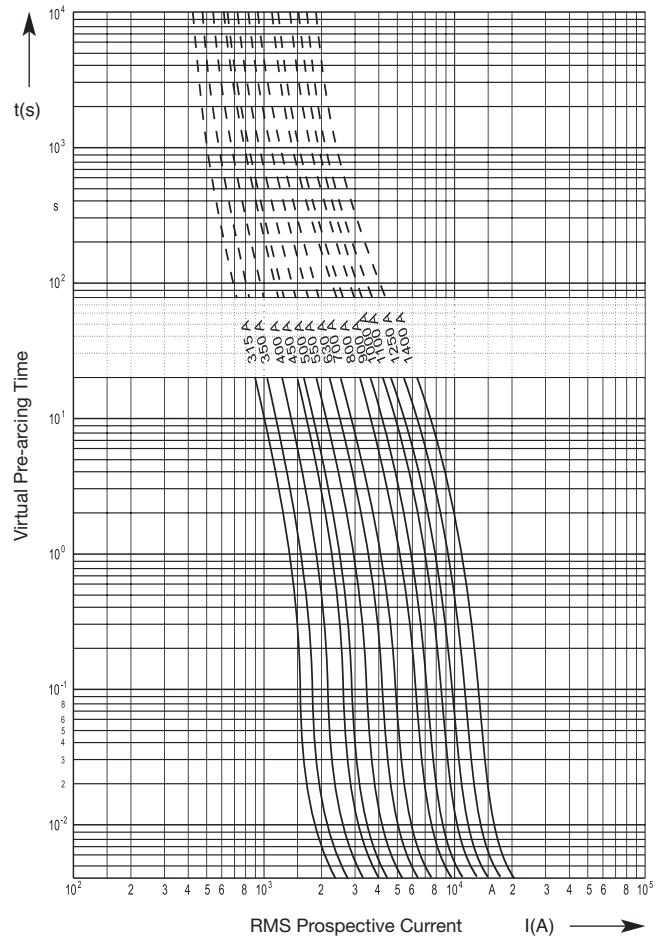
Size 3	Rated voltage AC 1250/1300 V	Operating class aR	Rated breaking capacity 100 kA
-------------------------	---	-------------------------------------	---

Rated current	Rated Voltage U_N IEC 60269-4	Rated Voltage U_N UL 248-13	Power loss W	Pre-arcing I^2t -value A ² s	Total I^2t -value @ 1000 V A ² s
315 A	1250 V	1300 V	83	11,000	60,000
350 A	1250 V	1300 V	85	15,000	90,000
400 A	1250 V	1300 V	92	22,000	130,000
450 A	1250 V	1300 V	99	33,000	190,000
500 A	1250 V	1300 V	110	42,000	230,000
550 A	1250 V	1300 V	115	56,000	320,000
630 A	1250 V	1300 V	120	83,000	480,000
700 A	1250 V	1300 V	131	113,000	640,000
800 A	1250 V	1300 V	135	201,000	1,070,000
900 A	1200 V	1300 V	140	236,000	1,300,000
1000 A	1000 V	1000 V	150	350,000	1,900,000
1100 A	1000 V	1000 V	174	443,000	2,400,000
1250 A	900 V	–	198	652,000	3,300,000
1400 A	900 V	–	210	852,000	3,900,000

Cut-off-characteristics



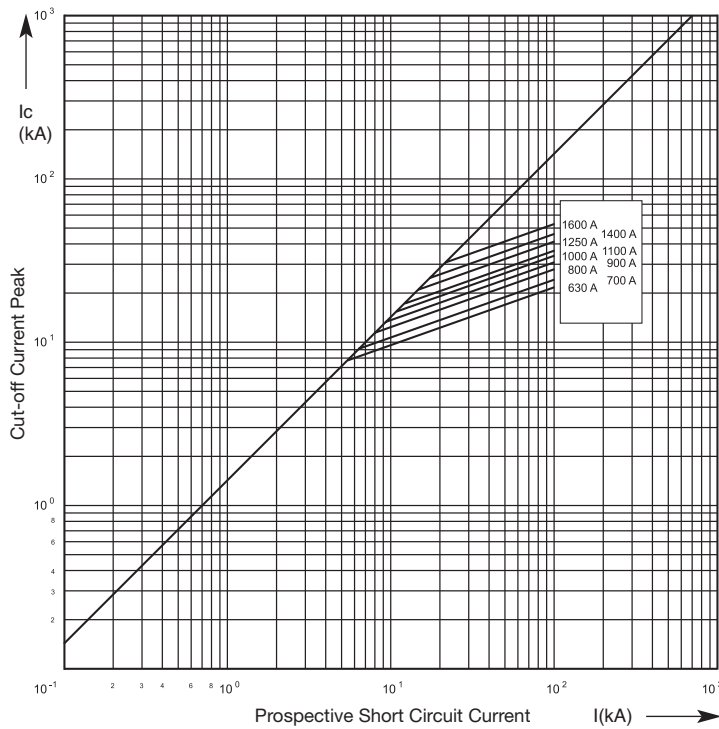
Time / Current Characteristics



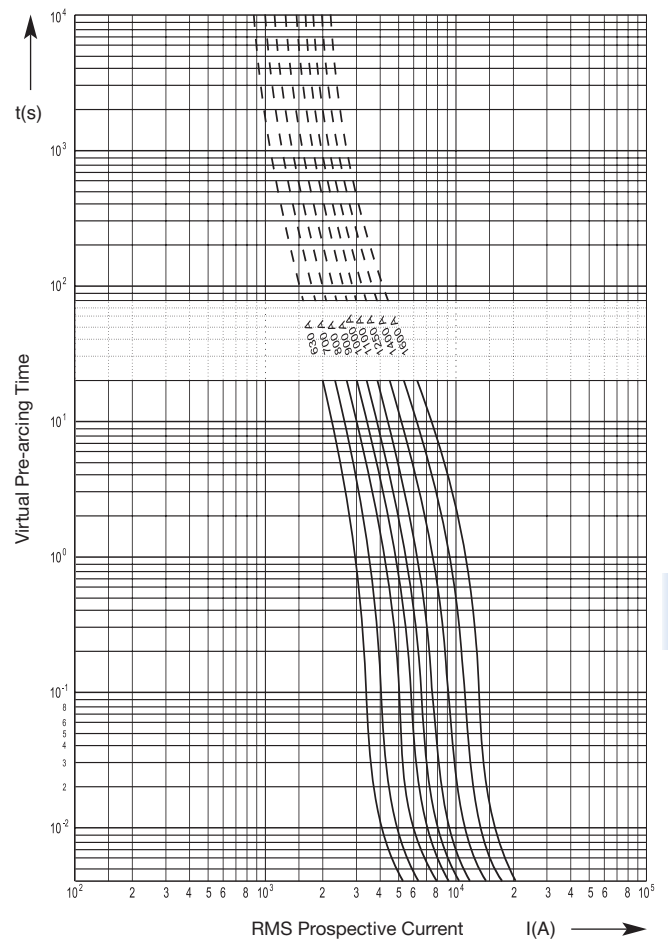
Size 2 **Rated voltage AC 1000-1250 V** **Operating class aR**

Rated current	Rated Voltage U_n IEC 60269-4	Rated Voltage U_n UL 248-13	Part No.	Power loss W	Pre-arcing I^2t -value A ² s	Total I^2t -value @ 660 V A ² s
630 A	1000 V	1250 V	20 778 32	139	56,000	312,000
700 A	1000 V	1250 V	20 778 32	149	80,000	440,000
800 A	1000 V	1250 V	20 778 32	158	124,000	680,000
900 A	1000 V	1250 V	20 778 32	168	168,000	960,000
1000 A	1000 V	1250 V	20 778 32	189	224,000	1,240,000
1100 A	1000 V	1250 V	20 778 32	221	284,000	1,400,000
1250 A	1000 V	1250 V	20 778 32	230	420,000	2,160,000
1400 A	1000 V	1250 V	20 778 32	242	592,000	2,840,000
1600 A	1000 V	1250 V	20 778 32	258	900,000	4,720,000

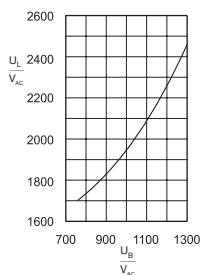
Cut-off-characteristics



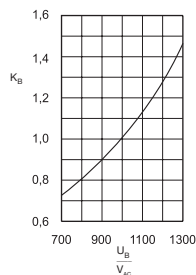
Time / Current Characteristics



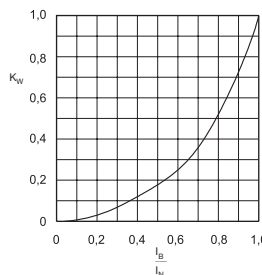
Arc voltage-Diagram



Reduction factor for total I²t-value



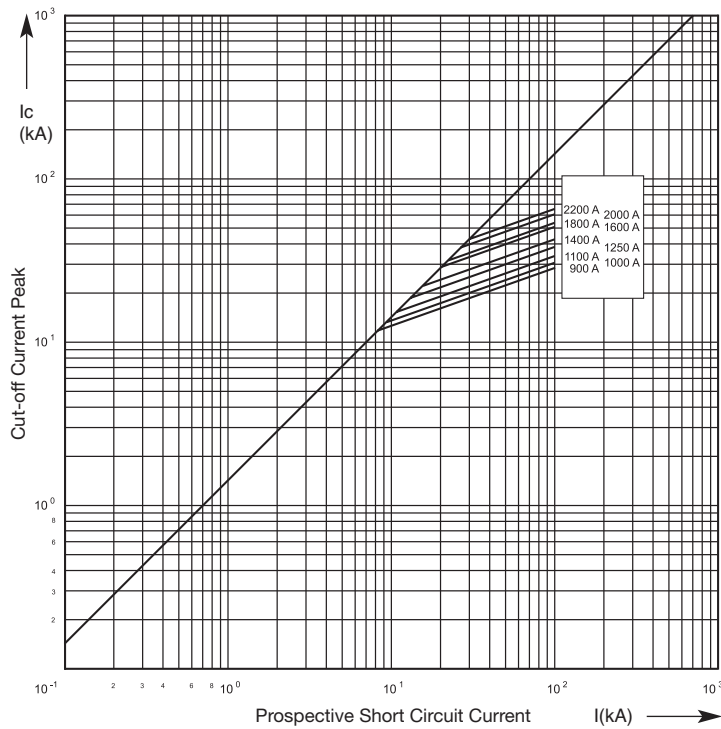
Reduction factor for power loss



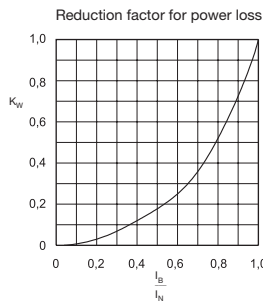
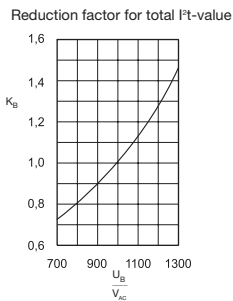
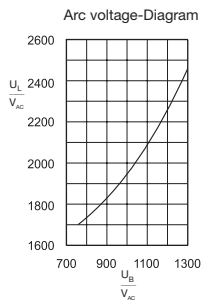
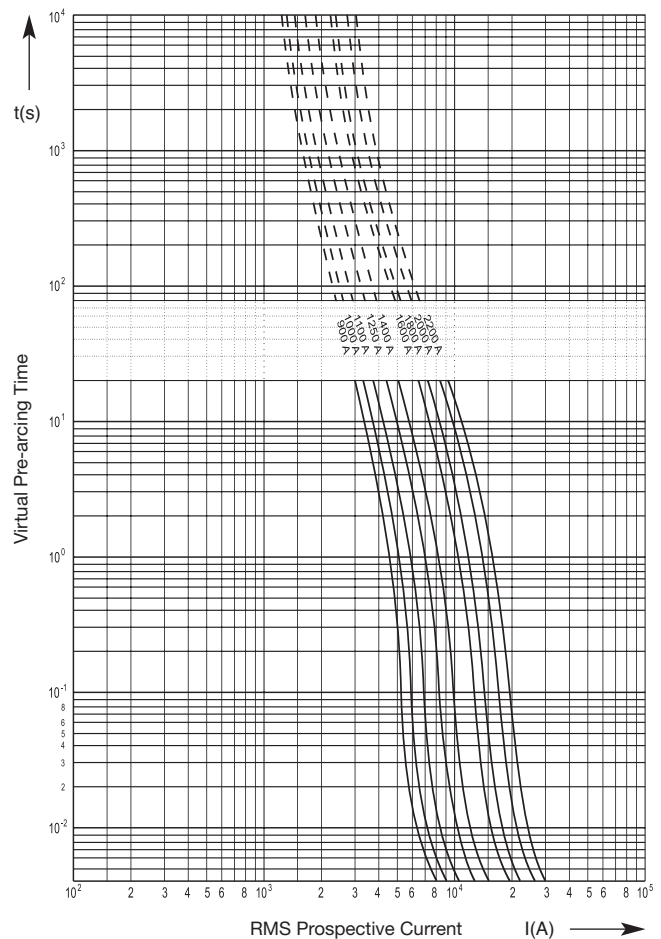
Size **3** Rated voltage **AC 1000-1250 V** Operating class **aR**

Rated current	Rated Voltage U_n IEC 60269-4	Rated Voltage U_n UL 248-13	Part No.	Power loss W	Pre-arcing I^2t -value A ² s	Total I^2t -value @ 660 V A ² s
800 A	1000 V	1250 V	20 788 32	193	88,000	520,000
900 A	1000 V	1250 V	20 788 32	208	132,000	760,000
1000 A	1000 V	1250 V	20 788 32	231	168,000	920,000
1250 A	1000 V	1250 V	20 788 32	252	332,000	1,920,000
1400 A	1000 V	1250 V	20 788 32	275	452,000	2,560,000
1600 A	1000 V	1250 V	20 788 32	284	804,000	4,280,000
1800 A	1000 V	1250 V	20 788 32	294	944,000	5,200,000
2000 A	1000 V	1250 V	20 788 32	315	1,400,000	7,600,000
2200 A	1000 V	1250 V	20 788 32	365	1,772,000	9,600,000

Cut-off-characteristics

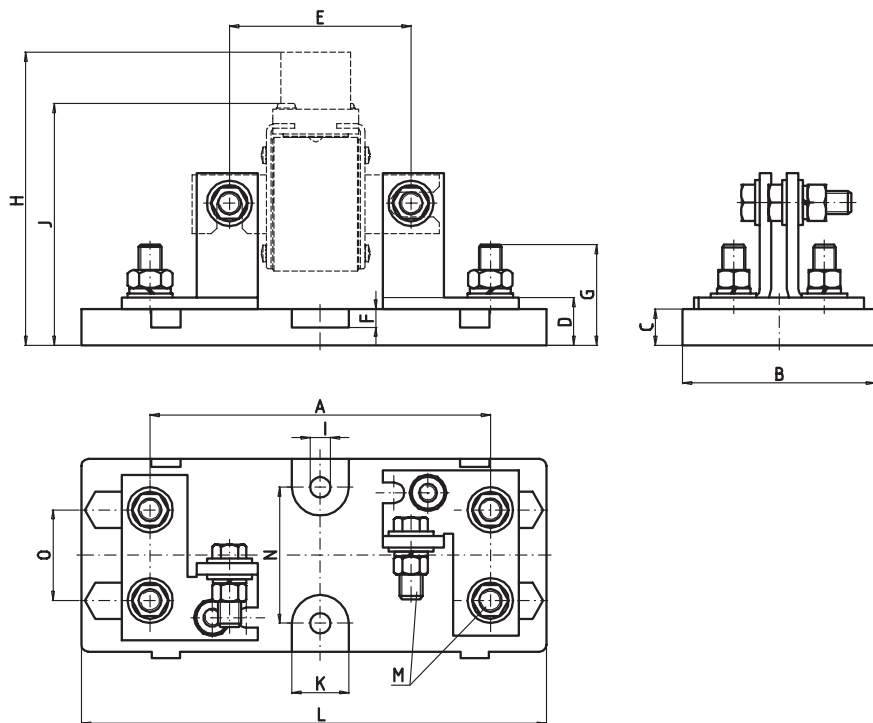


Time / Current Characteristics



Fuse Base for fuse links with screwcontacts
Size 1, 2 and 3
Rated current 630 A
Standard DIN 43653

Rated Voltage AC	Part No.	Fixing Center	Dimensions	max. Nut Torque	Rated Power acceptance
900 V	21 313 01	80 mm	150 mm	48 Nm	60 W
1400 V	21 323 01	110 mm	180 mm	48 Nm	60 W



Fixing Center 80 mm

A	5.90" (150 mm)
B	3.35" (85 mm)
C	0.63" (16 mm)
D	0.83" (21 mm)
E	3.15" (80 mm)
F	0.30" (8 mm)
G	1.80" (46 mm)
H_(Size 1)	5.00" (127 mm)
H_(Size 2)	5.12" (130 mm)
H_(Size 3)	5.40" (137 mm)
I	0.35" (9 mm)
J_(Size 1)	4.10" (104 mm)
J_(Size 2)	4.25" (108 mm)
J_(Size 3)	4.53" (115 mm)
K	0.98" (25 mm)
L_(max)	8.07" (205 mm)
M	M 10
N	2.36" (60 mm)
O	1.57" (40 mm)

Fixing Center 110 mm

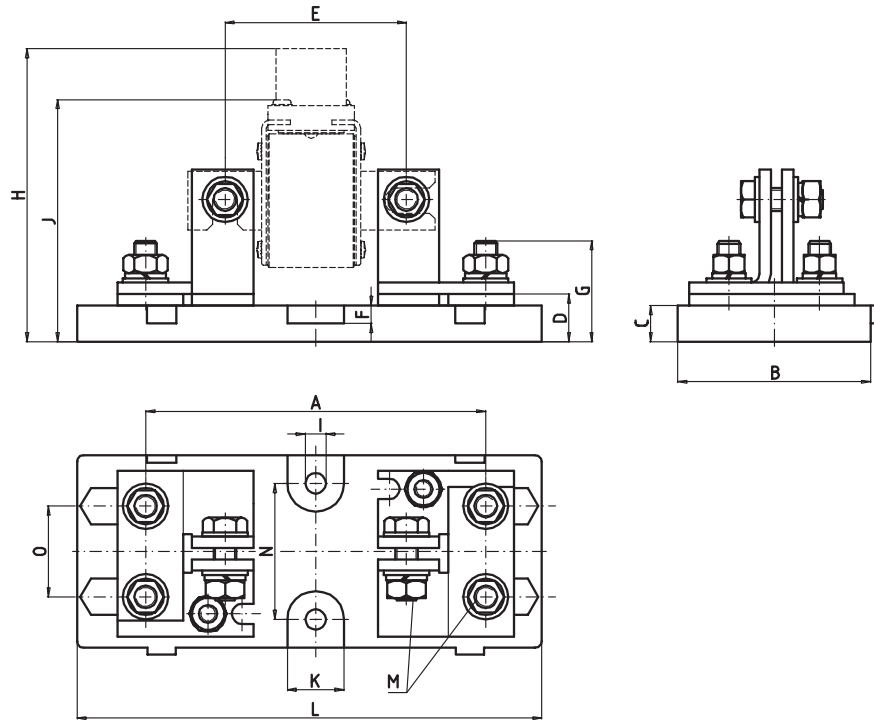
A	7.10" (180 mm)
B	3.35" (85 mm)
C	0.63" (16 mm)
D	0.83" (21 mm)
E	4.33" (110 mm)
F	0.30" (8 mm)
G	1.80" (46 mm)
H_(Size 1)	5.00" (127 mm)
H_(Size 2)	5.12" (130 mm)
H_(Size 3)	5.40" (137 mm)
I	0.35" (9 mm)
J_(Size 1)	4.10" (104 mm)
J_(Size 2)	4.25" (108 mm)
J_(Size 3)	4.53" (115 mm)
K	0.98" (25 mm)
L_(max)	8.07" (205 mm)
M	M 10
N	2.36" (60 mm)
O	1.57" (40 mm)

Fuse Base for fuse links with screwcontacts **Size 1, 2 and 3** **Rated current 1250 A** **Standard DIN 43653**

Rated Voltage AC	Part No.	Fixing Center	Dimensions	max. Nut Torque	Rated Power acceptance
900 V	21 313 02	80 mm	150 mm	48 Nm	110 W
1400 V	21 323 02	110 mm	180 mm	48 Nm	110 W

Fixing Center 110 mm

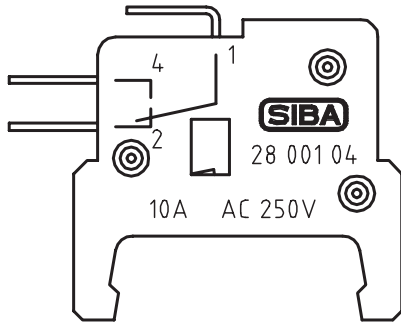
A	7.10" (180 mm)
B	3.35" (85 mm)
C	0.63" (16 mm)
D	0.83" (21 mm)
E	4.33" (110 mm)
F	0.30" (8 mm)
G	1.80" (46 mm)
H_(Size 1)	5.00" (127 mm)
H_(Size 2)	5.12" (130 mm)
H_(Size 3)	5.40" (137 mm)
I	0.35" (9 mm)
J_(Size 1)	4.10" (104 mm)
J_(Size 2)	4.25" (108 mm)
J_(Size 3)	4.53" (115 mm)
K	0.98" (25 mm)
L_(max)	8.07" (205 mm)
M	M 10
N	2.36" (60 mm)
O	1.57" (40 mm)



Fixing Center 80 mm

A	5.90" (150 mm)
B	3.35" (85 mm)
C	0.63" (16 mm)
D	0.83" (21 mm)
E	3.15" (80 mm)
F	0.30" (8 mm)
G	1.80" (46 mm)
H_(Size 1)	5.00" (127 mm)
H_(Size 2)	5.12" (130 mm)
H_(Size 3)	5.40" (137 mm)
I	0.35" (9 mm)
J_(Size 1)	4.10" (104 mm)
J_(Size 2)	4.25" (108 mm)
J_(Size 3)	4.53" (115 mm)
K	0.98" (25 mm)
L_(max)	8.07" (205 mm)
M	M 10
N	2.36" (60 mm)
O	1.57" (40 mm)

Microswitch Rated voltage
AC 250 V for fuse links with adapter
for microswitch fitting



Rated voltage	Breaking capacity	
	non inductive Load	inductive Load
AC 250 V	10 A	10 A

Rated voltage	Breaking capacity	
	non inductive Load	inductive Load (L/R = 25 ms)
DC 250 V	200 mA	100 mA
DC 60 V	1 A	500 mA
DC 24 V	6 A	3 A

