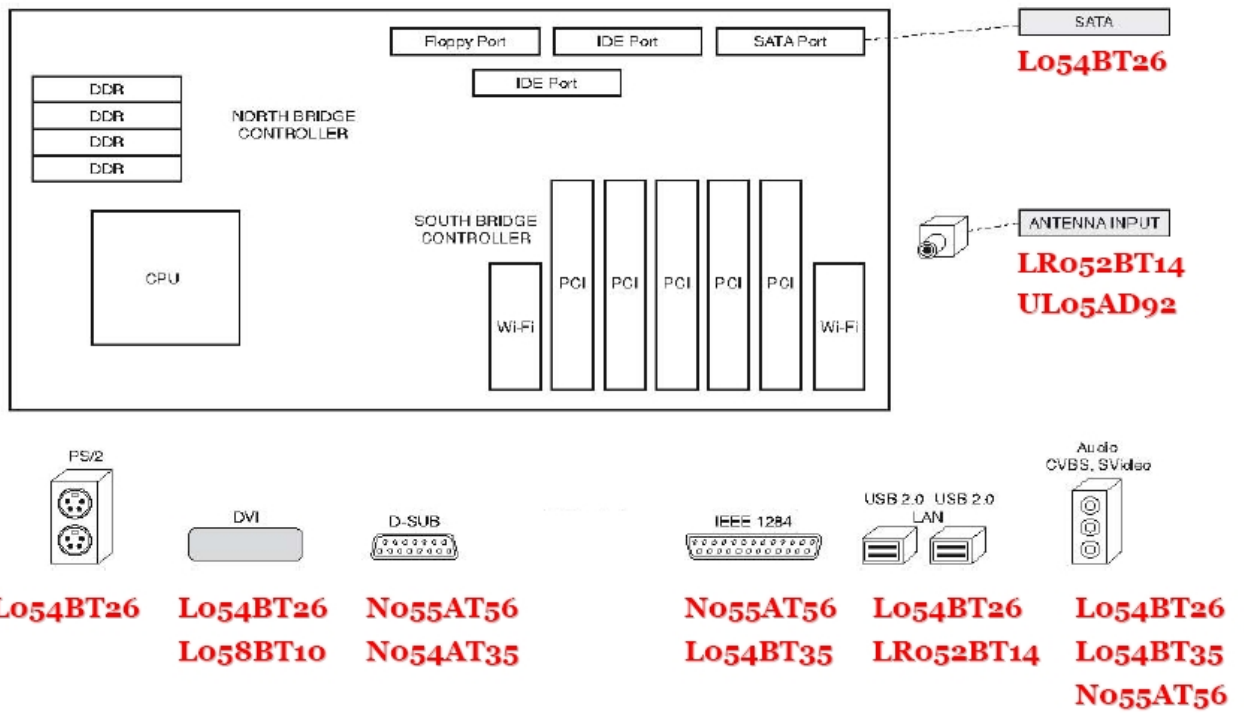


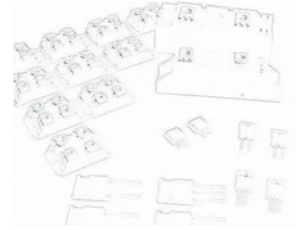
ESD Protector Application

Friday, 18 July 2008

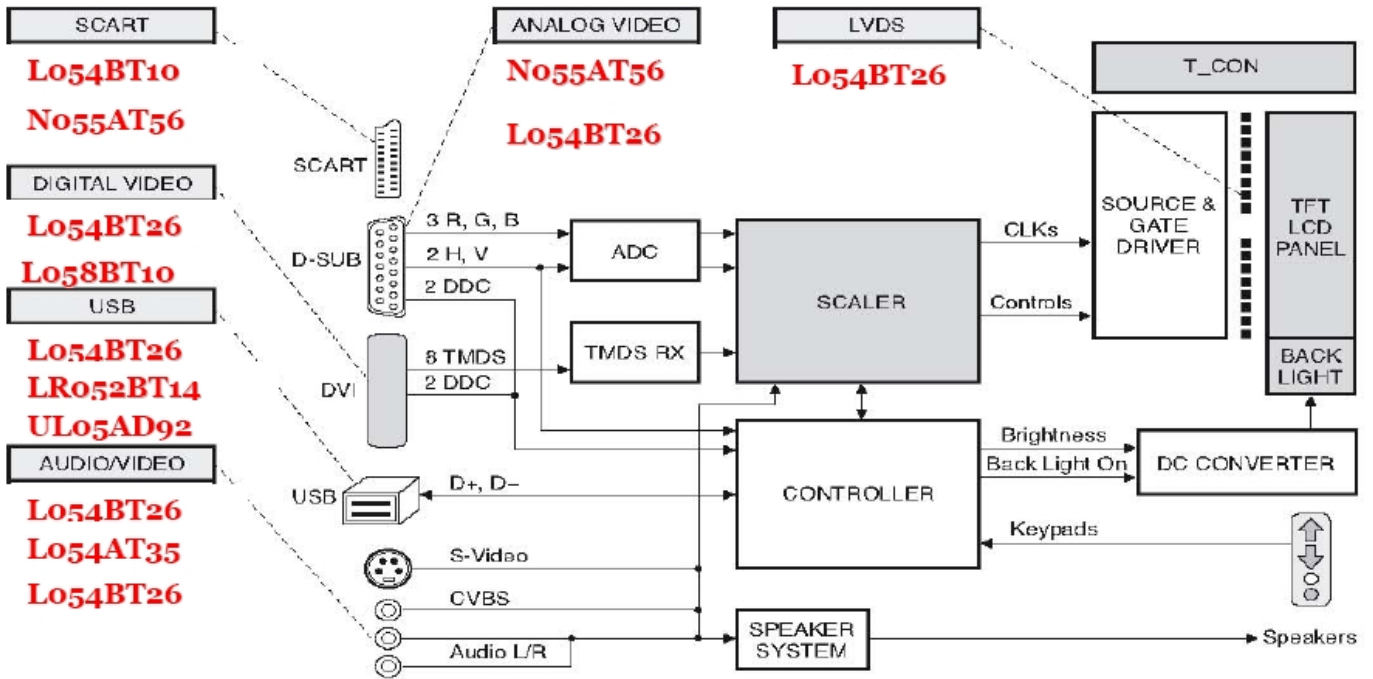


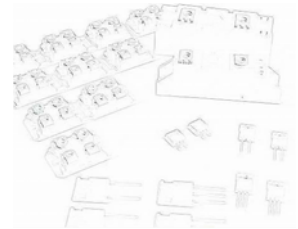
Computer system



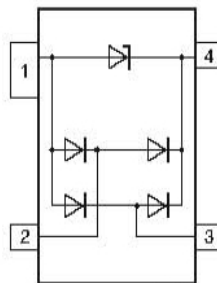
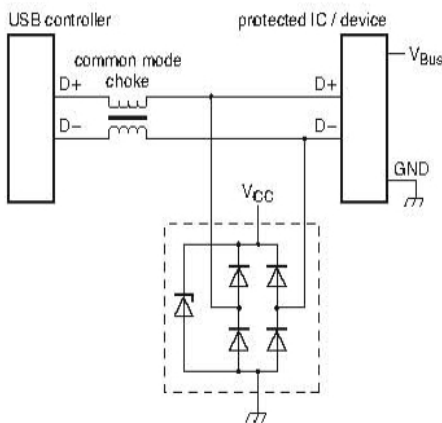


LCD Monitor / Projector





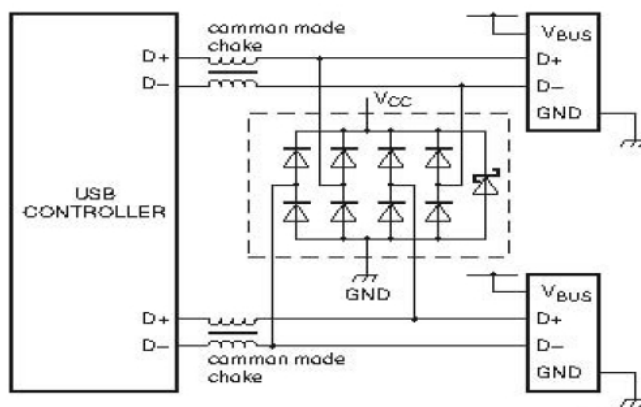
USB 2.0-single port protection



LR052BT14

10KV contact I/O ESD protection &
Ultra low line capacity of 1.5pF

USB2.0-Dual port protection

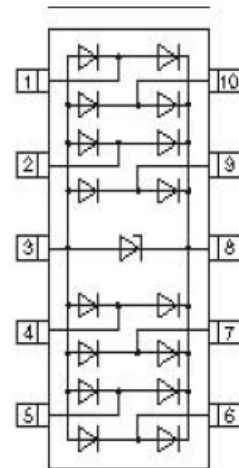
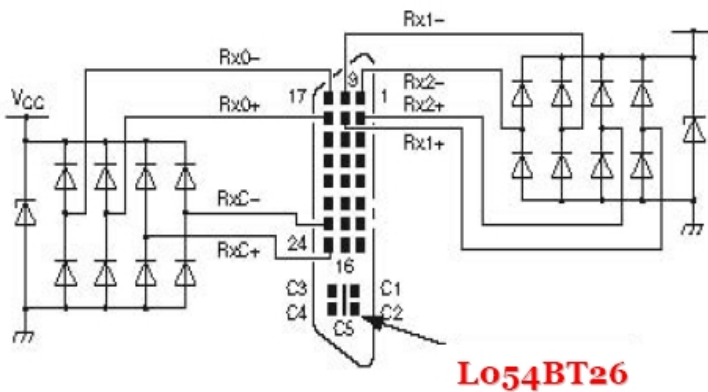
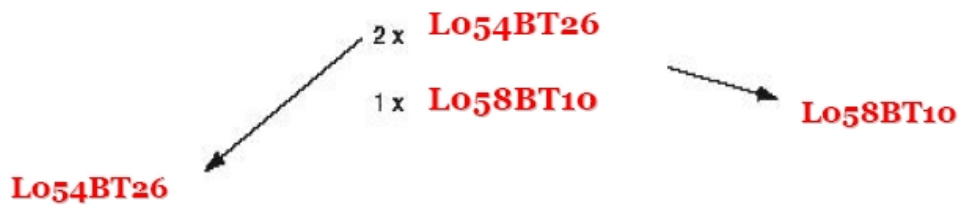


L054BT26

8KV contact I/O ESD protection &
Ultra low line capacity of 1.0pF



DVI / HDMI Interfaces

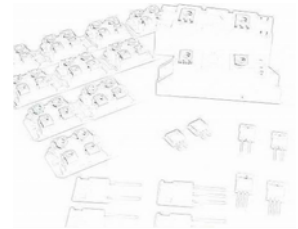


Lo58BT10

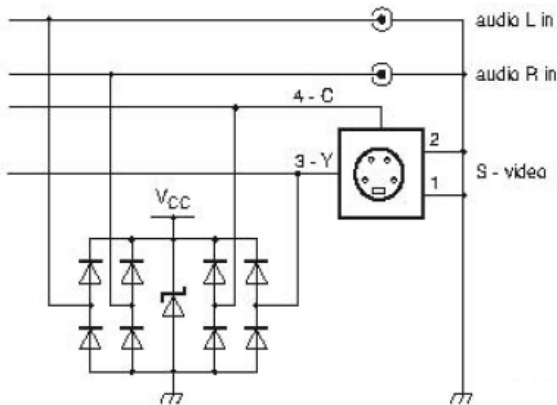


Lo54BT26

*8KV contact I/O ESD protection,
Ultra low line capacity of 1.0pF &
4,6,8 channel rail to rail.*

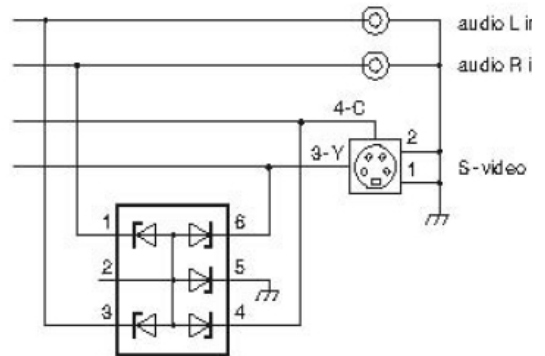


Single Video / Audio



L054BT26

*8KV contact I/O ESD protection &
Ultra low line capacity of 1.0pF*

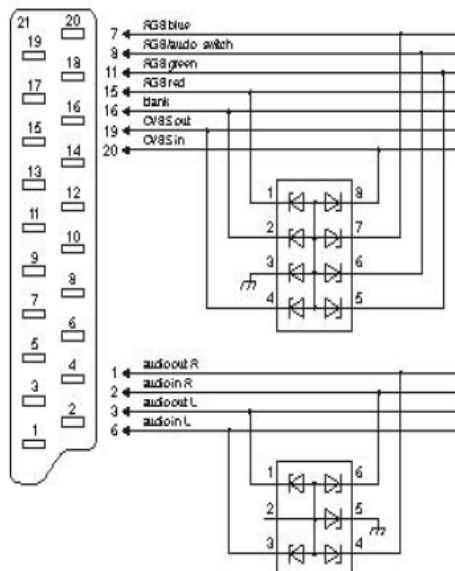
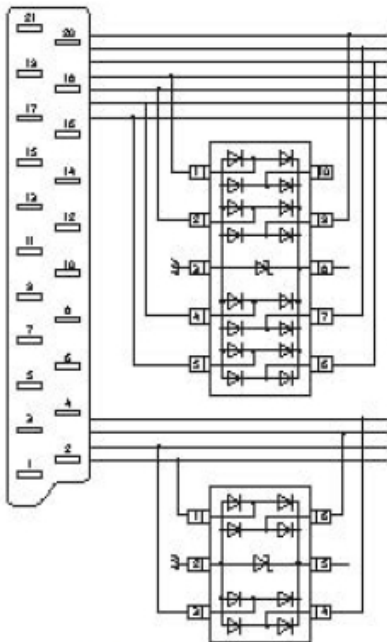


N055AT56

*15KV contact I/O ESD protection,
Low capacitance 25pF & Ultra
small SOT-563 SMD package*



SCART



L058BT10



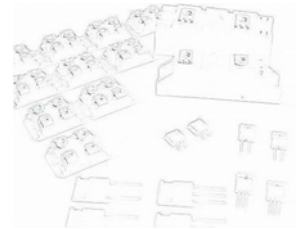
L054BT26



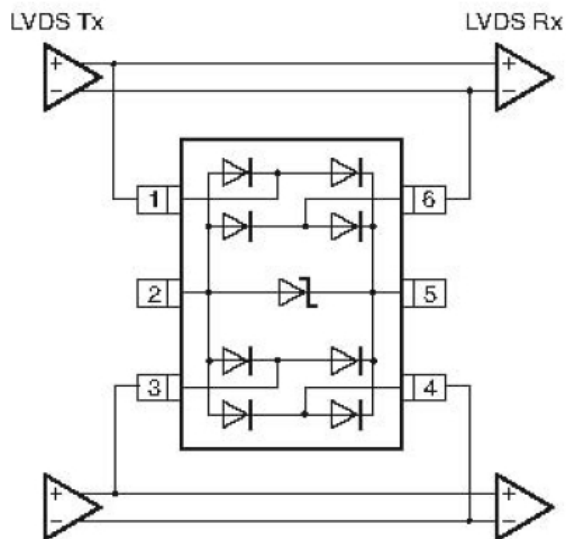
N055AT56

*8KV contact I/O ESD protection &
Ultra low line capacity of 1.0pF*

*15KV contact I/O ESD protection,
Low capacitance 25pF & Ultra
small SOT-563 SMD package*



LVDS



L054BT26

*8KV contact I/O ESD protection &
Ultra low line capacity of 1.0pF*