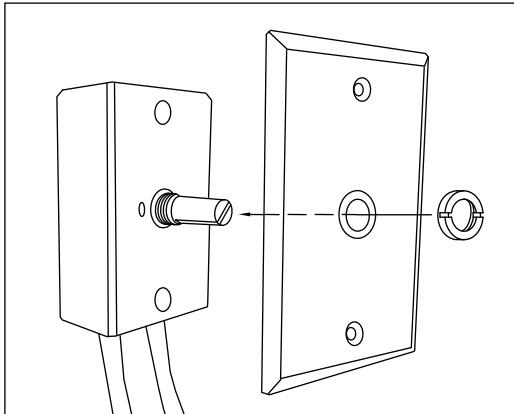
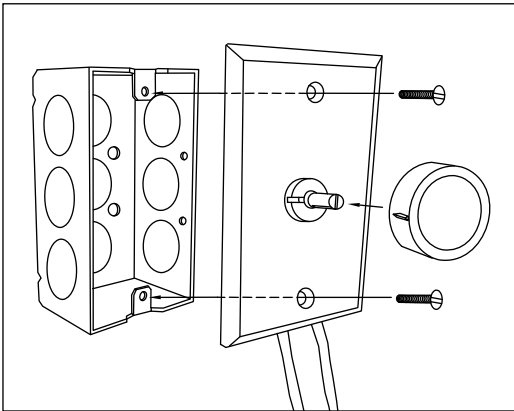


Manual LED Dimming

Installation Guide for Manual LED Dimming



1. Mount switch plate to dim control box (P/N 701843) using round nut.



2. Mount dim control box assembly onto junction box. Attach knob onto shaft.

If product is not functioning properly, ensure that:

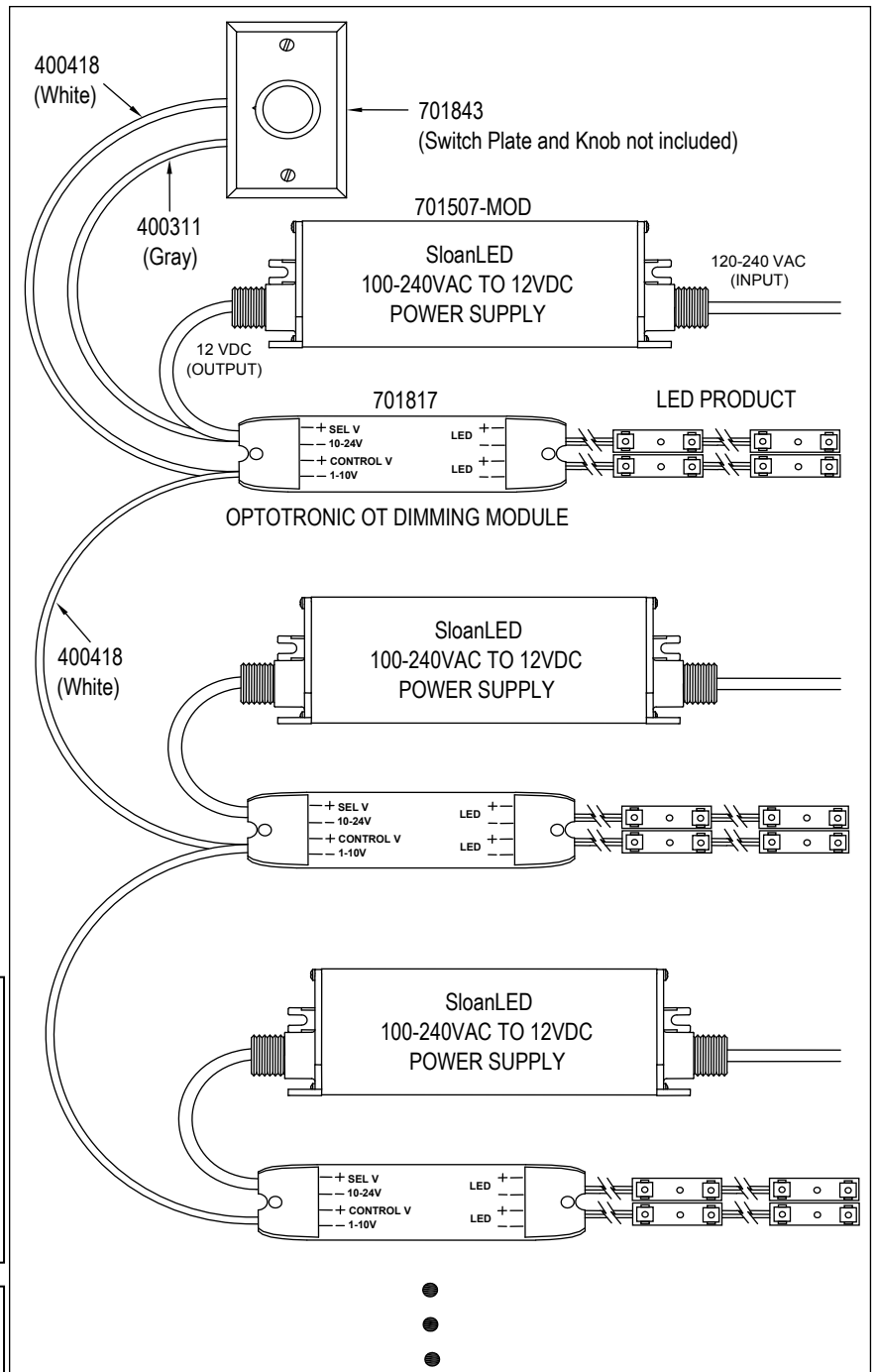
- Primary voltage is 100-240 VAC.
- Secondary voltage is 12 VDC.
- Output current is 5 Amps or less.
- Power supply is not overloaded (see latest power supply capacity chart).
- No shorts in secondary wiring.
- Secondary connections are red-to-red(+) and black-to-black(-).
- Power supply is located near its dimming module.
- No loose wires in dimming module terminals.

WARNING! Check Polarity:

- All connections must be RED-TO-RED(+) and BLACK-TO-BLACK(-).
- Reverse polarity connections may damage LEDs and will void product warranty.

WARNING!

Have a licensed electrician make all primary connections.



3. Connect first SloanLED power supply and grey cable from dim control box to SEL V terminals of first dimming module (red wire to +, black wire to -). Connect white cable from dim control box to CONTROL V terminals of first dimming module (red wire to +, black wire to -). Connect LED product(s) to either one or both LED terminals of dimming module for a total combined current not to exceed 5A. Connect SloanLED power supply to 100-240VAC. For additional modules, connect another SloanLED power supply to next dimming module's SEL V terminals, and daisy chain CONTROL V terminals. Repeat for up to 15 dimming modules.

Manual LED Dimming

Installation Guide for Manual LED Dimming

