

# Automatic Dimming

## Installation Guide for Marlin Control Station

1. Connect the following as shown in diagram (max 24 dimming modules per EFD):
  - Marlin controller\* to EFD (Electronic Fluorescent Dimmer)\*.
  - 0-10V line from EFD to CONTROL V terminals on dimming module.
  - 120-240 VAC from EFD to SloanLED power supplies.
  - SloanLED power supplies to SEL V terminals on corresponding dimming modules.
  - CONTROL V terminals on dimming modules via daisy chain.
  - LED products to LED terminals on dimming modules.

+ Connections are Red-to-Red(+) and Black-to-Black(-).

++ Refer to NOTES on page 2 for connection wire details.

+++ Refer to latest Power Supply Capacity Chart for maximum loads.

2. Mount SloanLED power supplies near their corresponding dimming module, as this will yield optimal results.

**If product is not functioning properly, ensure that:**

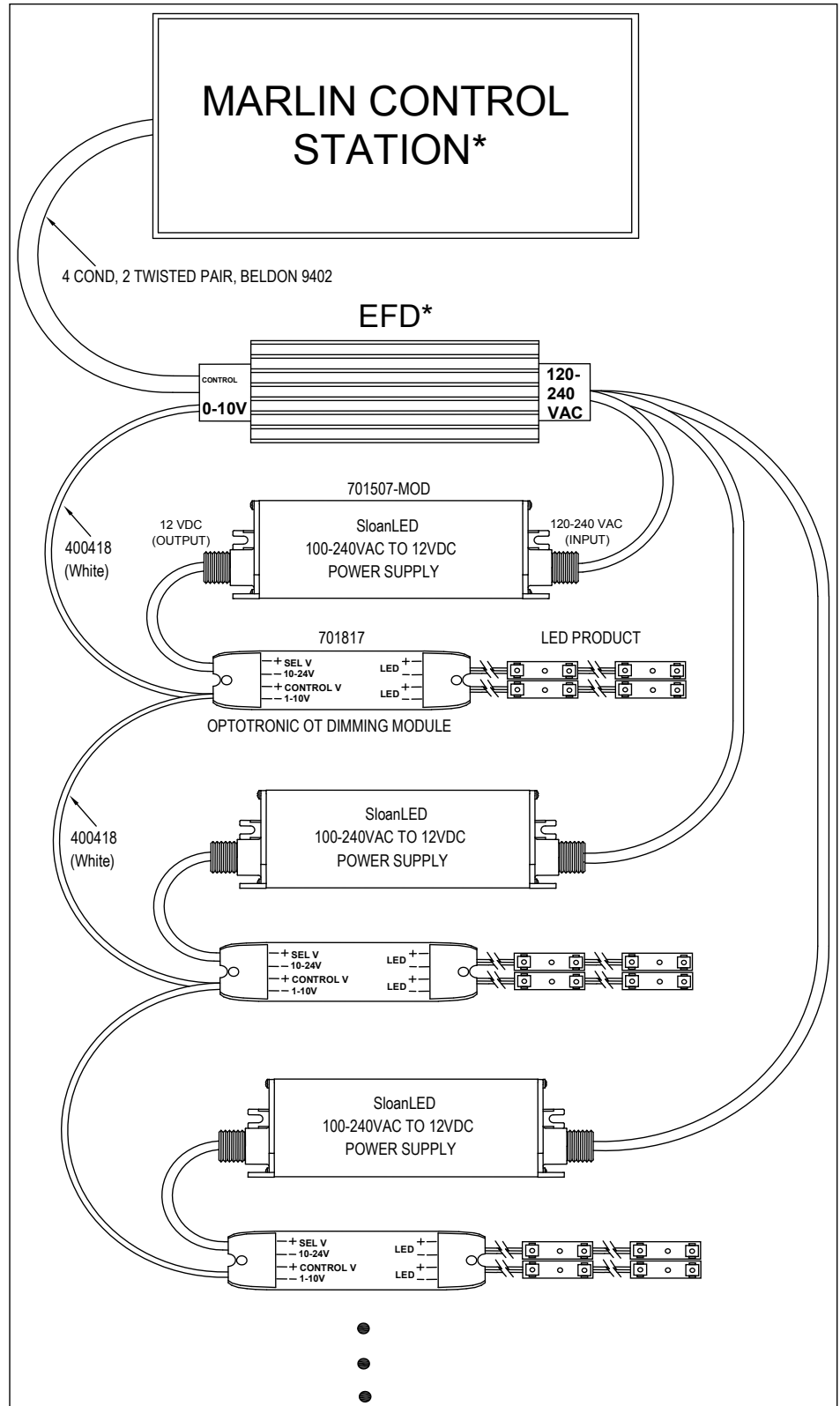
- Primary voltage is 100-240 VAC.
- Secondary voltage is 12 VDC.
- Output current is 5 Amps or less.
- Power supply is not overloaded (see latest power supply capacity chart).
- No shorts in secondary wiring.
- All secondary connections are red-to-red(+) and black-to-black(-).
- Power supply is located near its dimming module.
- No loose wires in dimming module terminals.

**WARNING: Check Polarity – All connections must be RED-TO-RED (+) and BLACK-TO-BLACK (-). Reverse polarity connections may damage the LEDs and will void product warranty.**

**WARNING: Have a licensed electrician make all primary connections.**

\*For more information on Marlin Controls and purchasing inquiries, please contact:

**Marlin Controls, U.S.A.**  
 P.O. Box 550457  
 Dallas, TX 75355  
 P: (800)788-5750  
 F: (214)553-1011  
 email: sales@marlincontrols.com  
 www.marlincontrols.com



# Automatic Dimming

## Installation Guide for Marlin Control Station

