

# CTB

## CTB-Series

### THERMAL CIRCUIT PROTECTORS

The CTB-Series is a compact, single pole, rocker actuated family of thermal circuit breakers designed to protect equipment. Utilizing simple, precision design with few moving parts, these breakers offer cost effective, extremely reliable circuit protection with high resistance against shock and vibration. Electrical ratings range from 3 to 16 amps at 125, 250VAC or 50VDC. This breaker resets with the push of a finger and features a snap in mounting style, utilizing a 16mm dia. round Double D mounting hole.



#### Product Highlights:

- ♦ Ratings from 3-16A, 125, 250VAC, 50VDC
- ♦ .250 Tabs
- ♦ 60°C Max Operating Temperature
- ♦ 1000 AIC Interrupting Capacity
- ♦ 100M ohms Insulation Resistance
- ♦ UL, cUL, VDE, CE

#### Applications:

- ♦ Household Appliances
- ♦ Transportation
- ♦ Marine
- ♦ Power Strips
- ♦ Medical Equipment
- ♦ Audio Visual Equipment
- ♦ Power Supplies
- ♦ Exercise Equipment
- ♦ ROHS Compliant



**Carling Technologies®**

Innovative Designs. Powerful Solutions.

**Carling Technologies, Inc.**  
60 Johnson Avenue, Plainville, CT 06062  
Email: [sales@carlingtech.com](mailto:sales@carlingtech.com)  
Application Support: [team2@carlingtech.com](mailto:team2@carlingtech.com)  
Phone: 860.793.9281 Fax: 860.793.9231

[www.carlingtech.com](http://www.carlingtech.com)

**CTB - B - B - 05 - B**

1 Series      2 Bezel Color      3 Rocker Color      4 Rating      5 Panel Thickness

**1 SERIES**  
CTB

**2 BEZEL COLOR <sup>1</sup>**  
B Black

**3 ROCKER COLOR <sup>1</sup>**  
B Black

**4 RATING**

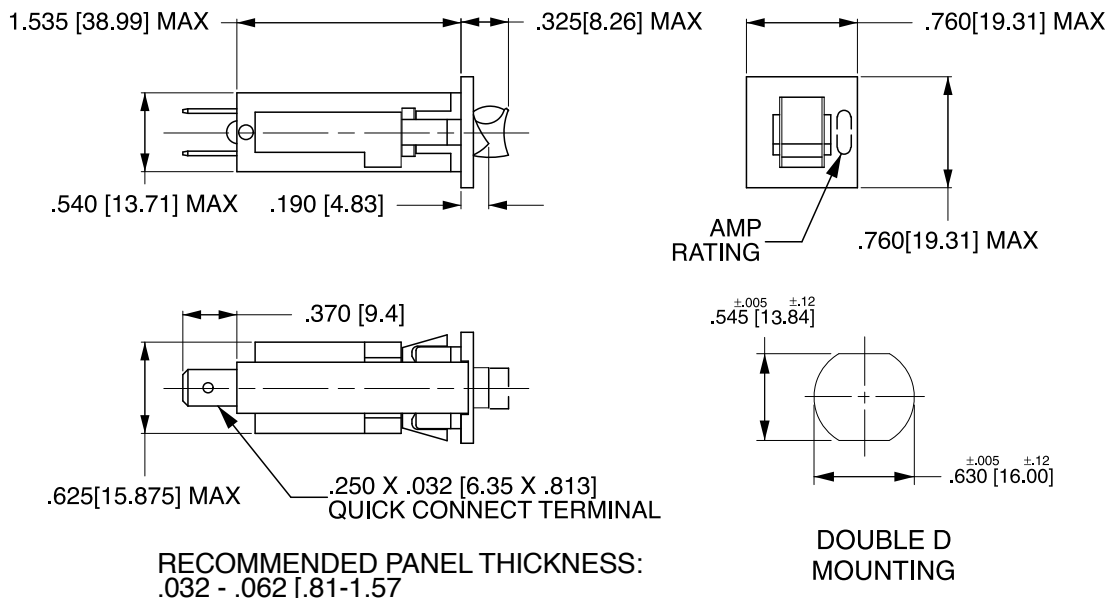
03	3 amps	08	8 amps	14	14 amps
04	4 amps	09	9 amps	15	15 amps
05	5 amps	10	10 amps	16	16 amps
06	6 amps	12	12 amps		
07	7 amps	13	13 amps		

**5 PANEL THICKNESS**  
blank fits standard thickness of .032 - .062  
B fits .070 - .110 panel thickness

Notes:

1. Additional colors available. Consult factory.

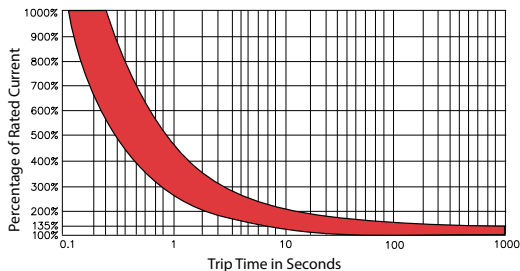
**Dimensional Specifications: in. [mm]**



Notes:

All dimensions are in inches [millimeters]. Tolerance  $\pm 0.005$  [.127] unless otherwise specified. Breaker must hold 100% of rated current and must trip at 150% and above, within the time limits shown in curve. Trip times specified at 25° ambient with no preloading.

**Time Delay**



Overload	Trip Time
100%	No Trip
135%	Trip in 1 hr
200%	2.2 ~ 15 sec.
300%	0.9 ~ 3.4 sec.
400%	0.57 ~ 1.6 sec.
500%	0.38 ~ 0.94 sec.
600%	0.27 ~ 0.76 sec.

Correction Factor <sup>1</sup>	
0 °C	x 0.85
10 °C	x 0.90
15 °C	x 0.925
18 °C	x 0.952
25 °C	x 1.00
32 °C	x 1.05
40 °C	x 1.15
50 °C	x 1.39
60 °C	x 1.49

Notes:

1. To adjust the breaker rating for ambient temperature, multiply the breaker rating by the factor. ex: 5A rating x .850 = 4.25A. Select 4A rating.

\*Manufacturer reserves the right to change product specification without prior notice.

## Authorized Sales Representatives and Distributors

Click on a region of the map below to find your local representatives and distributors or visit [www.carlingtech.com/findarep](http://www.carlingtech.com/findarep).



## About Carling

Founded in 1920, Carling Technologies is a leading manufacturer of electrical and electronic switches and assemblies, circuit breakers, electronic controls, power distribution units, and multiplexed power distribution systems. With four ISO registered manufacturing facilities and technical sales offices worldwide, Carling Technologies Sales, Service and Engineering teams do much more than manufacture electrical components, they engineer powerful solutions! To learn more about Carling please visit [www.carlingtech.com/company-profile](http://www.carlingtech.com/company-profile).

To view all of Carling's environmental, quality, health & safety certifications please visit [www.carlingtech.com/environmental-certifications](http://www.carlingtech.com/environmental-certifications)

## **Worldwide Headquarters**

Carling Technologies, Inc.  
60 Johnson Avenue, Plainville, CT 06062  
**Phone:** 860.793.9281 **Fax:** 860.793.9231  
**Email:** sales@carlingtech.com

**Northern Region Sales Office:** nrsm@carlingtech.com  
**Southeast Region Sales Office:** sersm@carlingtech.com  
**Midwest Region Sales Office:** mrsrm@carlingtech.com  
**West Region Sales Office:** wrsm@carlingtech.com  
**Latin America Sales Office:** larsm@carlingtech.com

## **Asia-Pacific Headquarters**

Carling Technologies, Asia-Pacific Ltd.,  
Suite 1607, 16/F Tower 2, The Gateway,  
Harbour City, 25 Canton Road,  
Tsimshatsui, Kowloon, Hong Kong  
**Phone:** Int + 852-2737-2277 **Fax:** Int + 852-2736-9332  
**Email:** sales@carlingtech.com.hk

**Shenzhen, China:** shenzhen@carlingtech.com  
**Shanghai, China:** shanghai@carlingtech.com  
**Pune, India:** india@carlingtech.com  
**Kaohsiung, Taiwan:** taiwan@carlingtech.com  
**Yokohama, Japan:** japan@carlingtech.com

## **Europe | Middle East | Africa Headquarters**

Carling Technologies LTD  
4 Airport Business Park, Exeter Airport,  
Clyst Honiton, Exeter, Devon, EX5 2UL, UK  
**Phone:** Int + 44 1392.364422 **Fax:** Int + 44 1392.364477  
**Email:** ltd.sales@carlingtech.com

**Germany:** gmbh@carlingtech.com  
**France:** sas@carlingtech.com



**Carling Technologies®**

Innovative Designs. Powerful Solutions.