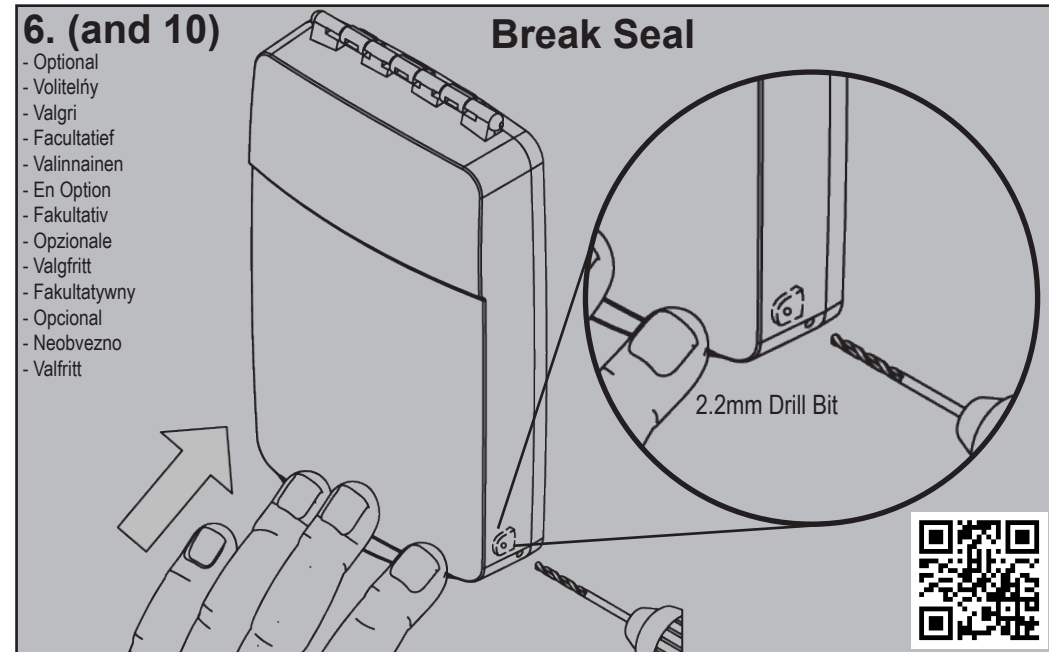
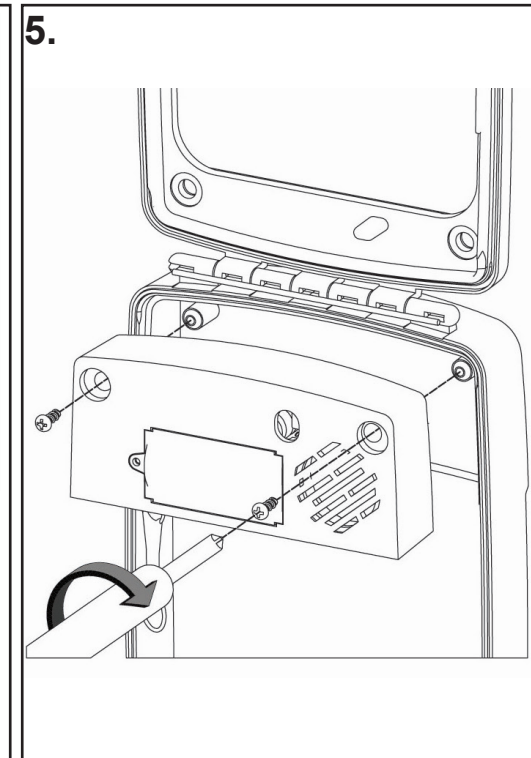
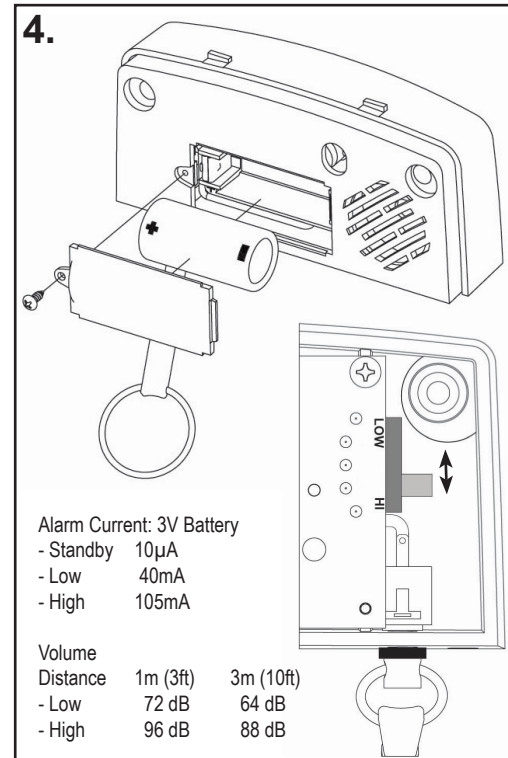
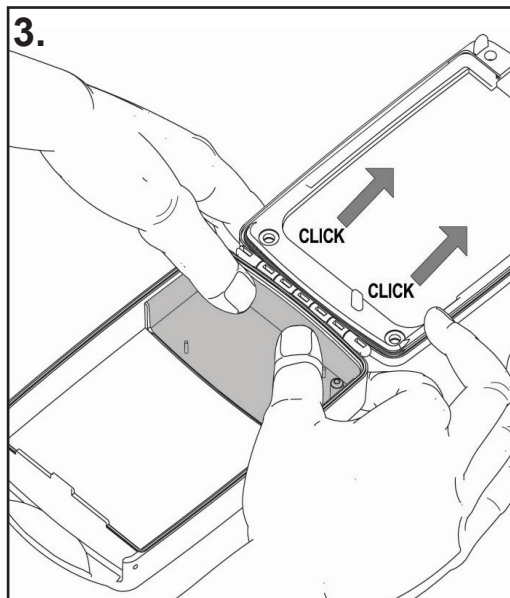
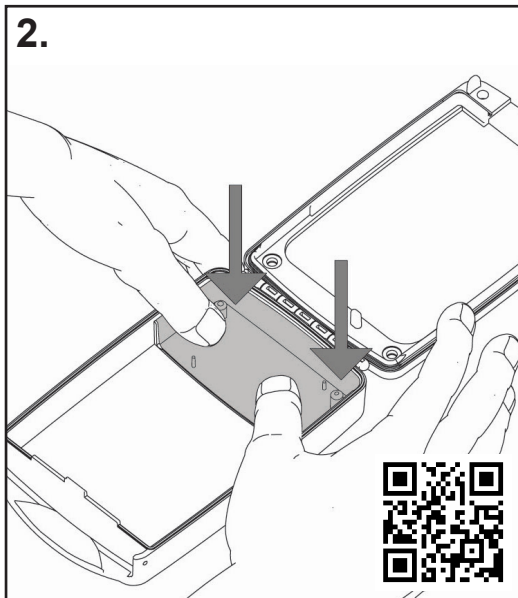
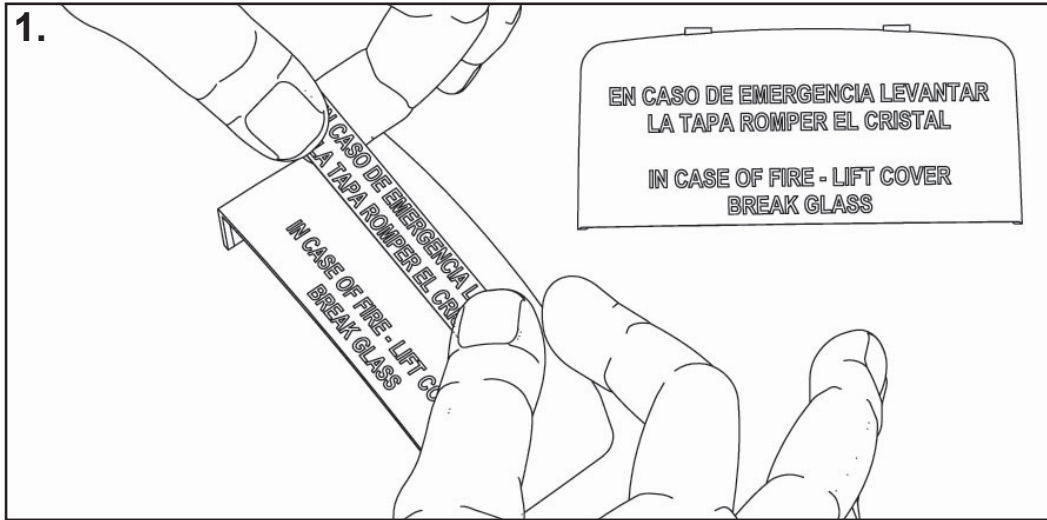


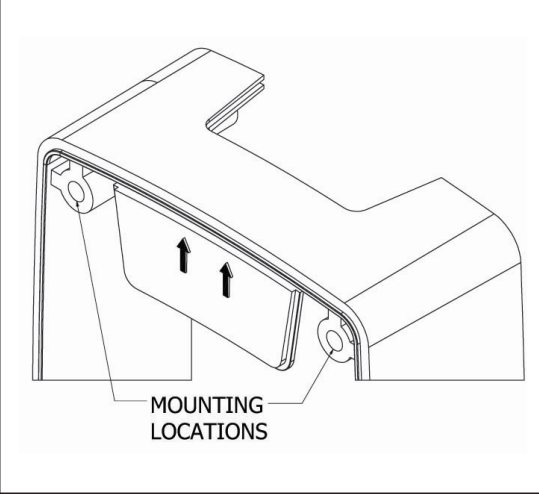
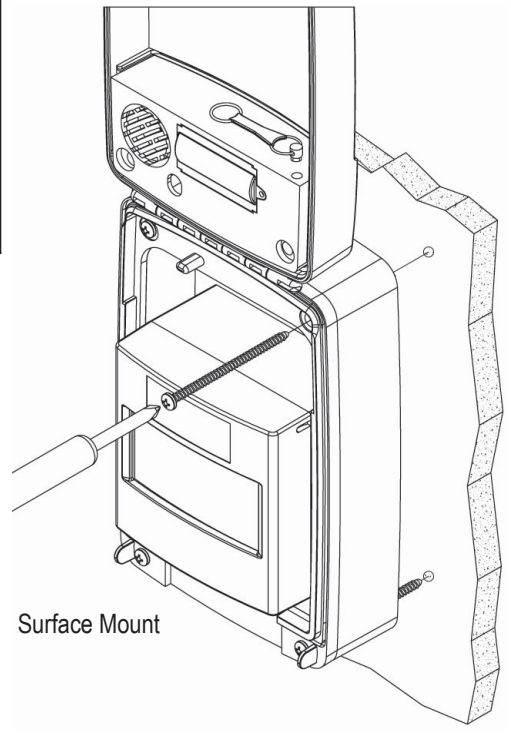
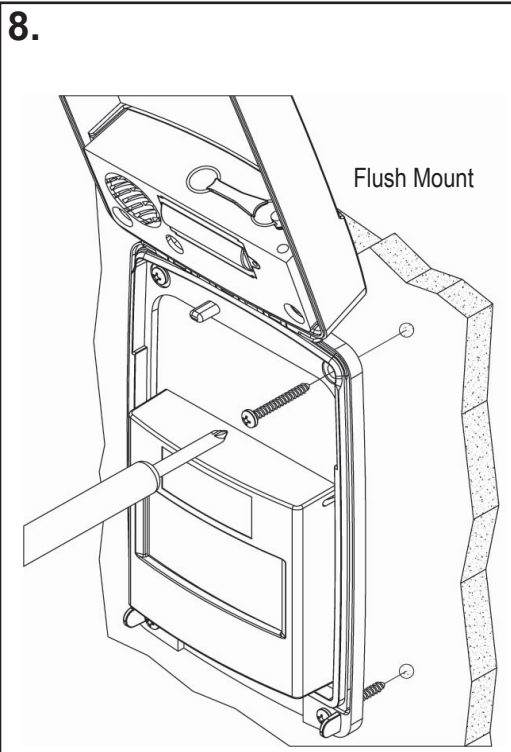
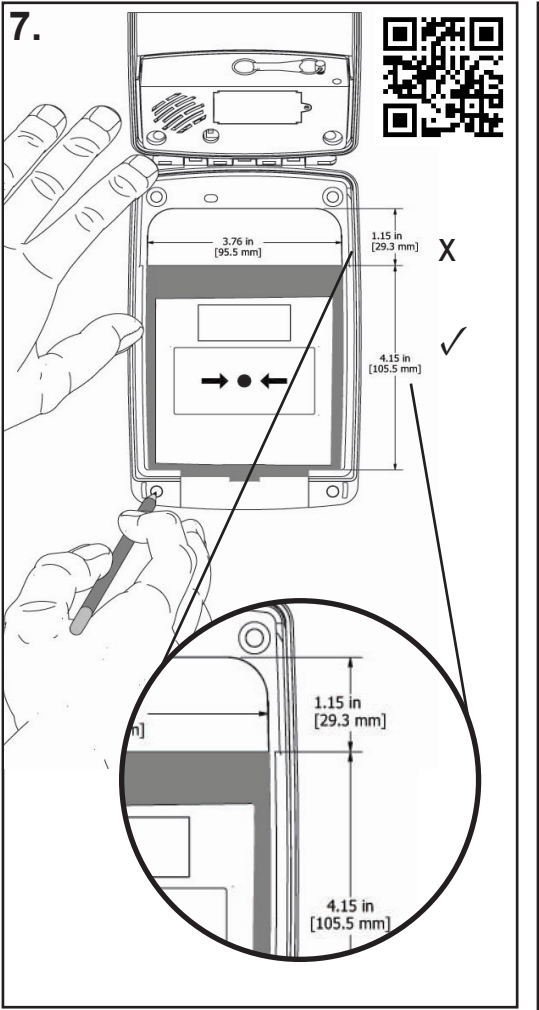
# STI Euro Stopper

## Installation Data for the STI-15000 Series

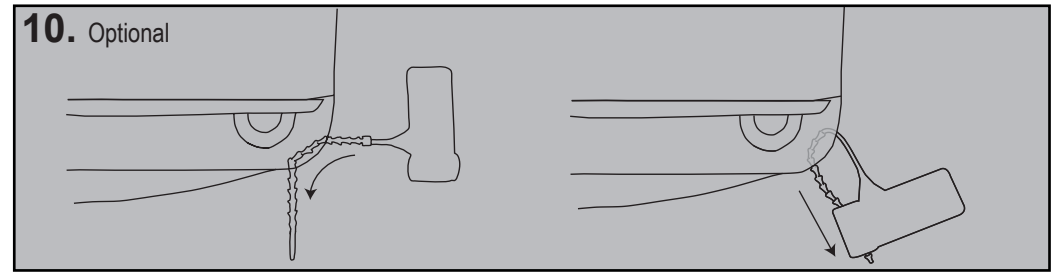
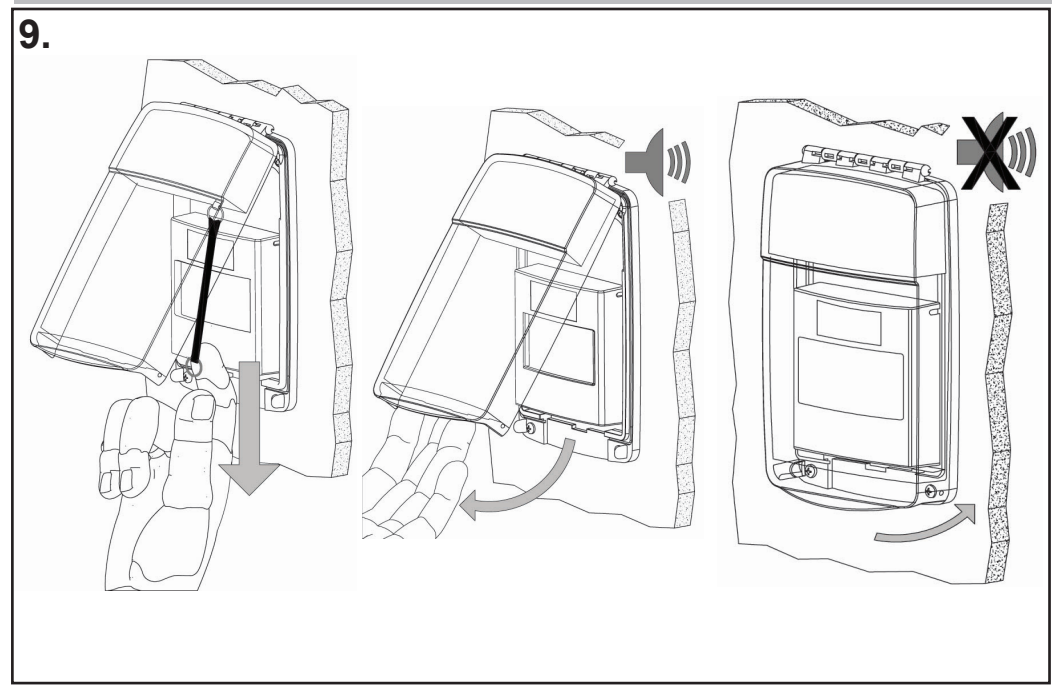
The Euro Stopper is a sleek protective cover that offers protection against tampering, vandalism and damage from accidental activation



Need help? Call our Technical Support Team on +44 (0)1527 520 999



Need help? Call our Technical Support Team on +44 (0)1527 520 999



Euro Stopper Multi Kit  
**FLUSH MOUNT**  
Installation Video



Euro Stopper Multi Kit  
**SURFACE MOUNT**  
Installation Video



**European Office**  
Taylor House, 34 Sherwood Road, Bromsgrove  
Worcestershire, B60 3DR, UK  
Tel: 01527 520 999 Fax: 01527 501 999  
info@sti-emea.com www.sti-emea.com

**USA - Headquarters**  
2306 Airport Road, Waterford,  
Michigan 48327, USA  
Tel: 248-673-9898 Fax: 248-673-1246  
info@sti-usa.com www.sti-usa.com