

Subminiature Power Supplies



Description

These rugged power supplies are available in a variety of output voltages from +5 Volts to 15 Volts. Our high performance supplies carry the same 5 year Warranty as all other CALEX power supplies.

Common Specifications

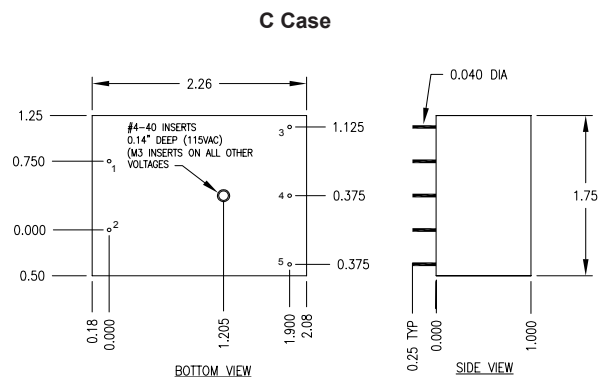
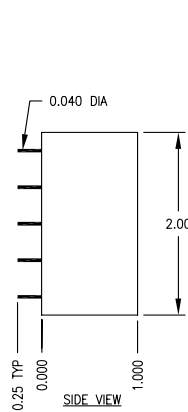
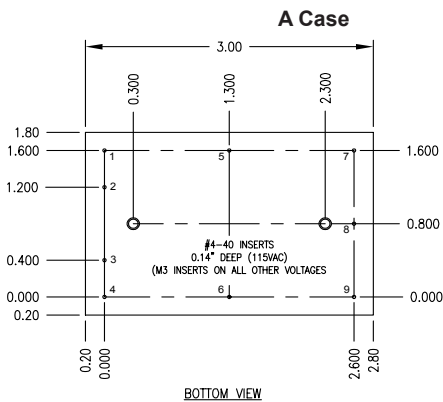
Input Voltages

- 100 ±10 VAC (add "-100" to model number)
- 115 ±10 VAC (add "-115" to model number)
- 220 ±10 VAC (add "-220" to model number)
- 230 ±10 VAC (add "-230" to model number)
- 240 ±10 VAC (add "-240" to model number)

Selection Chart

Output Voltage VDC	Output Current mA	Voltage Accuracy	Line & Load Regulation Maximum	Noise & Ripple mv RMS	Case Size	Unit Weight (oz.)	Model Number
5	250	±1.0%	±0.20%	2	C	5.7	21-30
12	120	±0.5%	±0.20%	2	C	5.7	21-12
±12	±120	±0.5%	±0.04%	2	A	8.1	22-120
±15	±50	±0.5%	±0.20%	2	C	5.7	22-40
±15	±100	±0.5%	±0.04%	2	A	8.1	22-100

All units for 50 Hz operation derate output current 50%



Mechanical tolerances unless otherwise noted:

X.XX dimensions: ±0.020 inches

X.XXX dimensions: ±0.005 inches

Pin	Model				
	21-30	21-12	22-120	22-40	22-100
1	AC IN	AC IN	-	AC IN	-
2	AC IN	AC IN	AC IN	AC IN	AC IN
3	CMN	CMN	AC IN	-15	AC IN
4	-	-	-	CMN	-
5	+5	+12	-unregulated	+15	-unregulated
6	-	-	+unregulated	-	+unregulated
7	-	-	-12 regulated	-	-15 regulated
8	-	-	CMN	-	CMN
9	-	-	+12 regulated	-	+15 regulated

Pins not referenced are not installed in case



Subminiature Power Supplies

Specifications

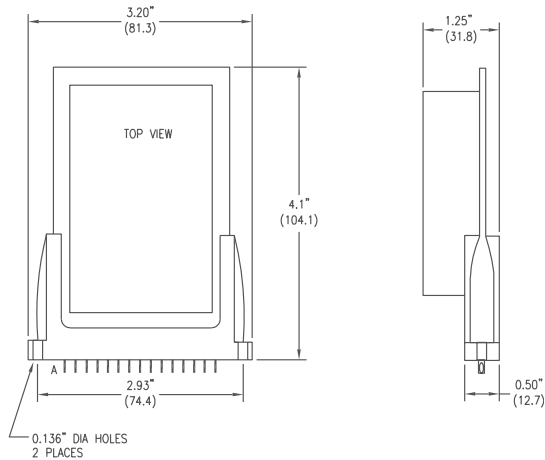
All Parameters measured at 25°C, nominal input voltage and full rated load unless otherwise noted.

All Models			Unit
Input Frequency Range	TYP	50 to 60	Hz
Short Circuit Protection		Foldback Current Limiting: 22-120 & 22-100 Current Limiting: 21-30, 21-12 & 22-40	
Isolation			
Isolation Resistance	MIN	50	megohm
Isolation Voltage *	MIN	1000	VRMS
Input to Output Capacitance *	TYP	50 - 250	pF
Environmental			
Case Operating Range No Derating	MIN MAX	-25 +50	°C
Storage Range	MIN MAX	-25 +85	°C
Temperature Coefficient	TYP	±0.01	%/°C
Case	A, C		
Mounting Kits	MK08B, MK22-08B, MK015 & MK22-015		

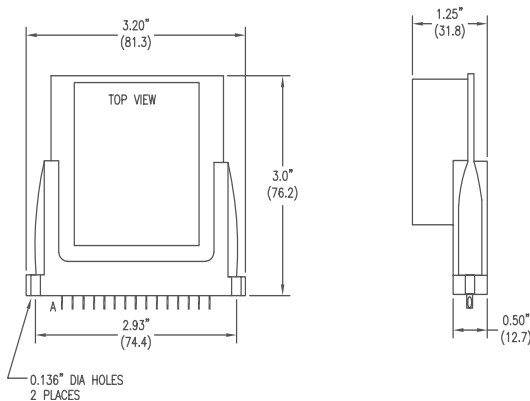
* Contact CALEX for information on exact model, call (800) 542-3355 or (925) 687-4411. Specifications subject to change without notice.

PC Card with 15 pin Connector

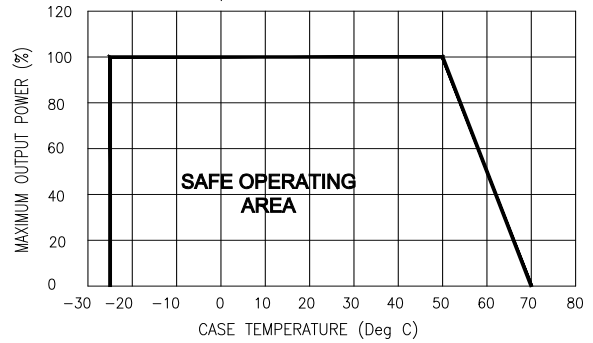
MK015 (A Case)



MK22-015 (C Case)



AC/DC POWER SUPPLY DERATING

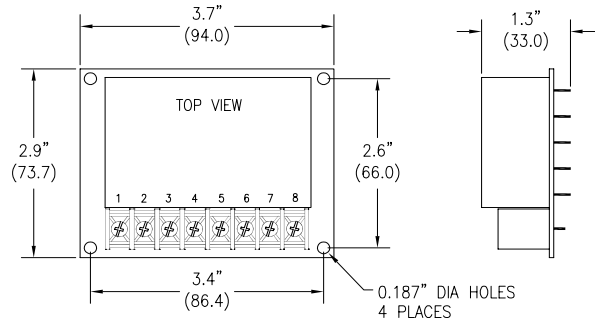


Mounting Kits

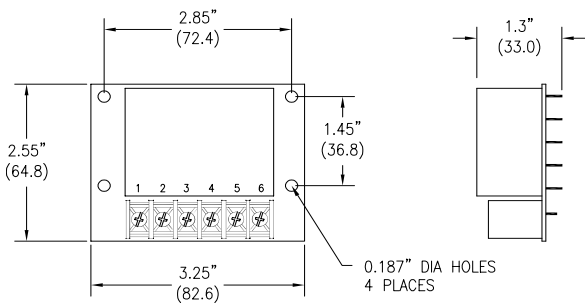
Two types of mounting kits are available for the subminiature series of supplies. One consists of a PC card with a 15-pin connector. The second employs a barrier strip for chassis mount applications. The modules can be firmly attached to either with a set of mounting screws.

Barrier Strip for Chassis Mount Applications

MK08B (A Case)



MK22-08B (C Case)



Case to Mounting Kit Connections

CASE	A	C	A	C
1	-	1	-	P
2	2	2	P	S
3	3	6	S	C
4	-	5	-	J
5	5	4	E	A
6	4	-	L	-
7	8	-	C	-
8	7	-	J	-
9	6	-	A	-

