

# Models 8611, 8612

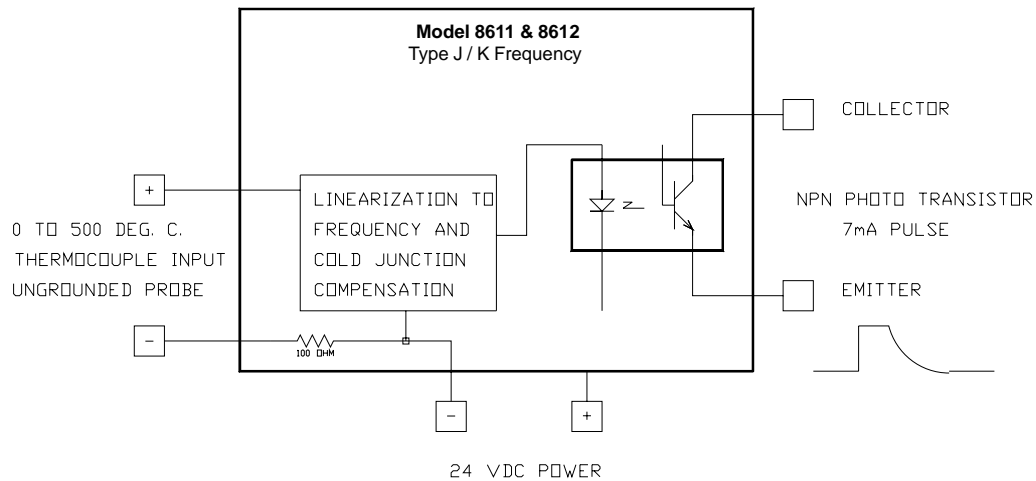
## Type J & K Thermocouple to Frequency

**Model 8611** Type J thermocouple to frequency converter is designed to operate into the common 24 Volt, 7 mA PLC inputs. It's output is an isolated optocoupler transistor and provides DC isolation from the input and DC power. The 8611 will operate with a DC supply of 15 Volts to 26 Volts at 17 mA.

**Model 8612** Type K thermocouple to frequency converter is designed to operate into the common 24 volt, 7 mA PLC inputs. The output frequency is linear to the temperature. It's

output is an isolated optocoupler transistor and provides DC isolation from the input and DC power. The 8612 will operate with a DC supply of 15 Volts to 26 Volts at 20 mA.

The Model 8611 and 8612 modules are housed in a plastic housing with a U-foot for mounting on standard DIN rails. The unit's dimensions, excluding the mounting foot, are 1.65"H x 1.06"W x 3.78"L. Connections are made to screw clamp terminal blocks.



Model	8611	8612
<b>Input</b>	Type J Thermocouple 0°C to 500° or 0°C to 1000°C	Type K Thermocouple 0°C to 1250°C
<b>Output</b>	10 Hz at 0° to 510 Hz at 500°C	5 Hz at 0°C to 255 Hz at 500°C and to 630 Hz at 1250°C
<b>Resolution</b>	1°C for 1 second Time Base	
<b>Accuracy</b>	±2°C plus the error of J Thermocouple	±2°C plus the error of K Thermocouple
<b>Cold Junction Compensation</b>	±0.05°C / °C Typical n/a	±0.05°C / °C Typical ±0.8°C Typical ±2°C Maximum
<b>Output Source</b>	Floating Optocoupler Transistor 7 mA Minimum Current	
<b>Response Time</b>	Square Wave Output	Square Wave for 0.5 and 1 Hz/°C
<b>Isolation</b>	700 Volts DC	700 Volts DC
<b>Power Requirements</b>	5 pF	5 pF
<b>Environment</b>	Thermocouple negative input lead connected to Power Supply common through 100 Ohm resistor	
<b>Operating</b>	+2°C to +55°C	
<b>Storage</b>	-40°C to +80°C	
<b>Size</b>	1.65"H x 1.06"W x 3.78"L (42 x 27 x 96mm)	
<b>Weight</b>	3 oz. (85 grams)	
<b>Agency Approvals</b>	UL 508, C22.2 No 14-M91	