

Models 8605, 8606, 8607

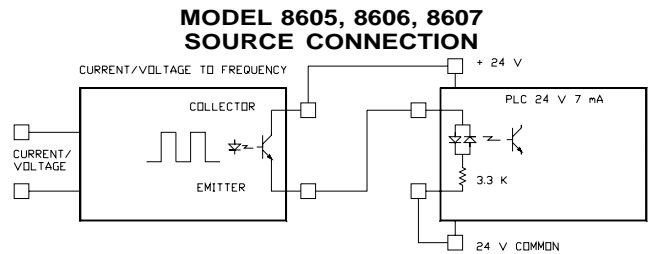
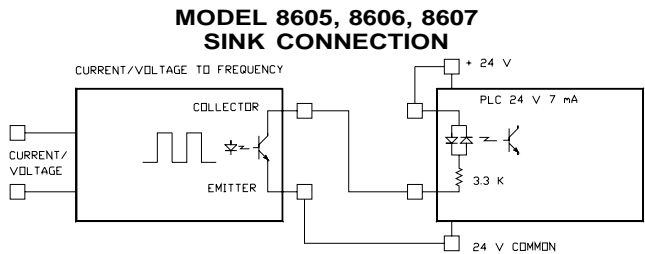
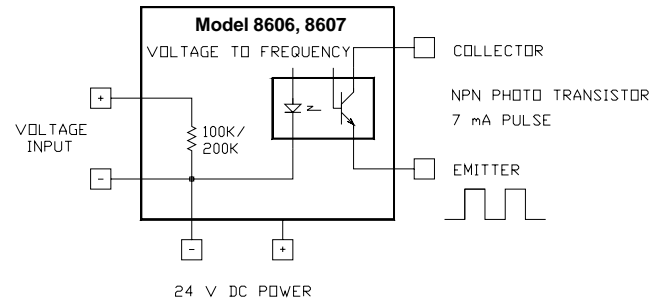
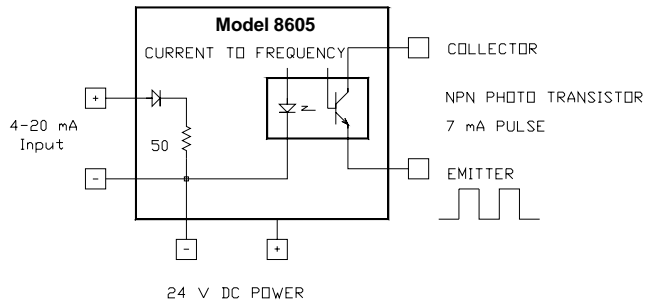
Analog to Frequency

Models 8605, 8606, 8607 analog input modules are designed to interface with the 24 VDC logic inputs for applications requiring additional analog inputs. The 8600 modules output a square wave up to 500Hz allowing the PLC to count the frequency producing about 8 bit resolution, 1 part in 500.

The 8600 module has an isolated floating optocoupler transistor which provides DC isolation from the input, output and DC

power. The output transistor is fully floating allowing either source or sink connection to the PLC.

The modules are housed in a plastic case with a built in U-foot for mounting on standard DIN rails. The case dimensions, excluding the U-foot, are 1.65" H x 1.06" W x 3.78" L. Connections are made to screw clamp terminals that accept wire sizes 22 to 16.



Model	8605	8606	8607
Input	0 - 20 mA	0 - 5 V	0 - 10 V
Output	0 - 500 Hz	0 - 500 Hz	0 - 500 Hz
Input Resistance	50 Ohms	100 kohm	200 kohm
Resolution	40 μ A/Hz	0.01 V/Hz	0.02 V/Hz
Linearity	$\pm 0.05\%$ of Full Scale Maximum	$\pm 0.01\%$ Typical	$\pm 0.01\%$ Typical
Accuracy (23° $\pm 2^\circ$ C)		$\pm 0.1\%$ of Full Scale	
Temperature Coefficient (0°C to 55°C)		$\pm 0.003\%/^\circ$ C Typical $\pm 0.015\%/^\circ$ C Maximim	
Response Time		Less Than 1 Cycle of Final Frequency	
Over-range Output	120%	200%	120%
Output, Full Scale		500 Hz Square Wave Floating Optocoupler Transistor 7 mA Minimum current	
Isolation		700 Volts DC 5 pF	
Power Requirements		Power Supply Common Connected to Signal Input Common	
Voltage		12 to 26 VDC	
Current		15 - 21 mA Typical	
Environment			
Operating		0°C to +55°C	
Storage		-40°C to +80°C	
Size		1.65"H x 1.06"W x 3.78"L (42 x 27 x 96 mm)	
Weight		3 oz. (85 grams)	
Agency Approvals		UL 508, C22.2 No 14-M91, UL 1604, C22.2 No 213-M1987	