

# SINGLE RJ45 CONNECTOR MODULE WITH INTEGRATED 10/100/1000 BASE-T MAGNETICS

## FEATURES

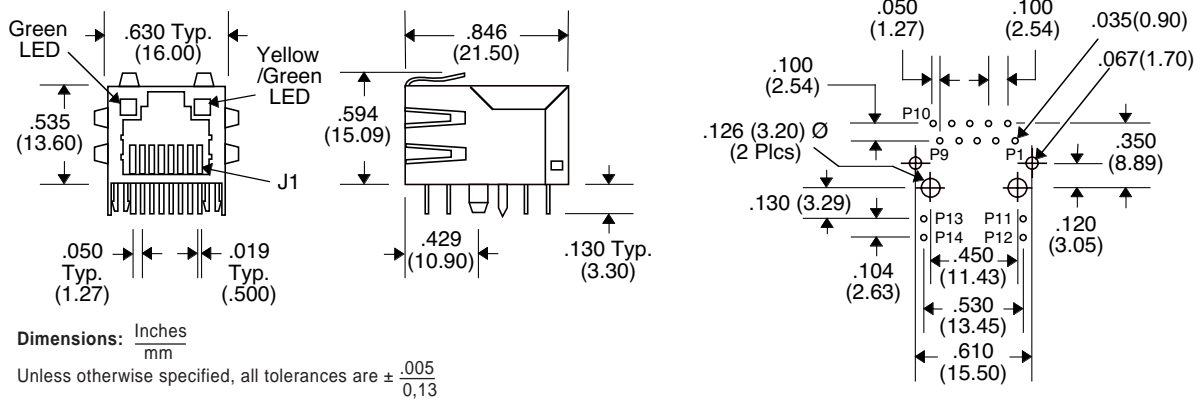
- 10/100/1000 Base-T RJ45 1x1 Tab-UP with integrated magnetics connector
- Available with or without LEDs
- Suitable for CAT 5 & 6 Fast Ethernet Cable or better UTP
- 350  $\mu$ H minimum OCL with 8 mA bias current
- Minimum 1500 Vrms isolation per IEEE 802.3 requirement



Electrical Specifications @ 25°C — Operating Temperature 0°C to +70°C

Part Number	LEDs L/R	Insertion Loss TX/RX (dB)	Return Loss (dB TYP) 100 $\Omega$ ( $\pm 15 \Omega$ )				Crosstalk (dB TYP)			Common Mode Rejection (dB TYP)			Hipot (MIN) @ 60 Hz 1MIN
			0.3-100MHz	1-30MHz	40MHz	50MHz	60-80MHz	30MHz	60MHz	100MHz	30MHz	60MHz	
ST-JK012	G/Y-G	-1.2	-16	-13.5	-11.5	-10	-40	-36	-30	-35	-32	-30	1500 Vrms
ST-JK014	G/Y	-1.2	-16	-13.5	-11.5	-10	-40	-36	-30	-35	-32	-30	1500 Vrms

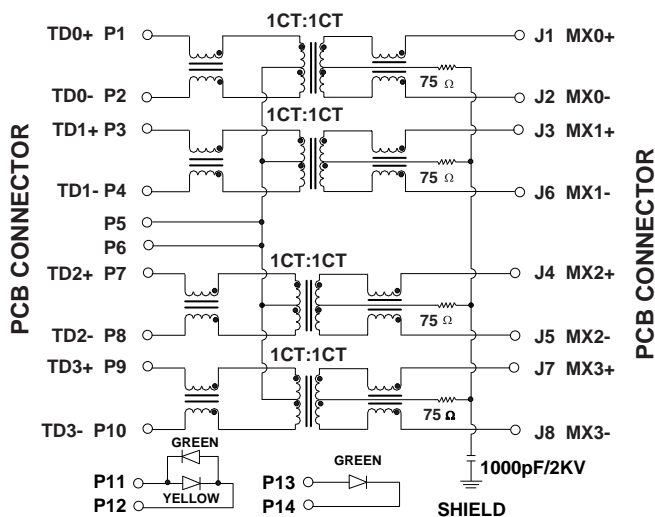
## Mechanicals



Recommended PCB Layout (Component Side)

## Schematics

### ST-JK012



### ST-JK014

