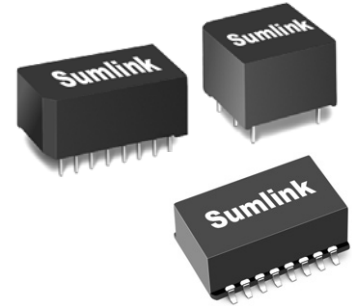


# ISDN S-INTERFACE TRANSFORMERS

## FEATURES

- Meets pulse waveform template of CCITT I.430 when recommended transformer and chip pair are used
- Excellent longitudinal balance

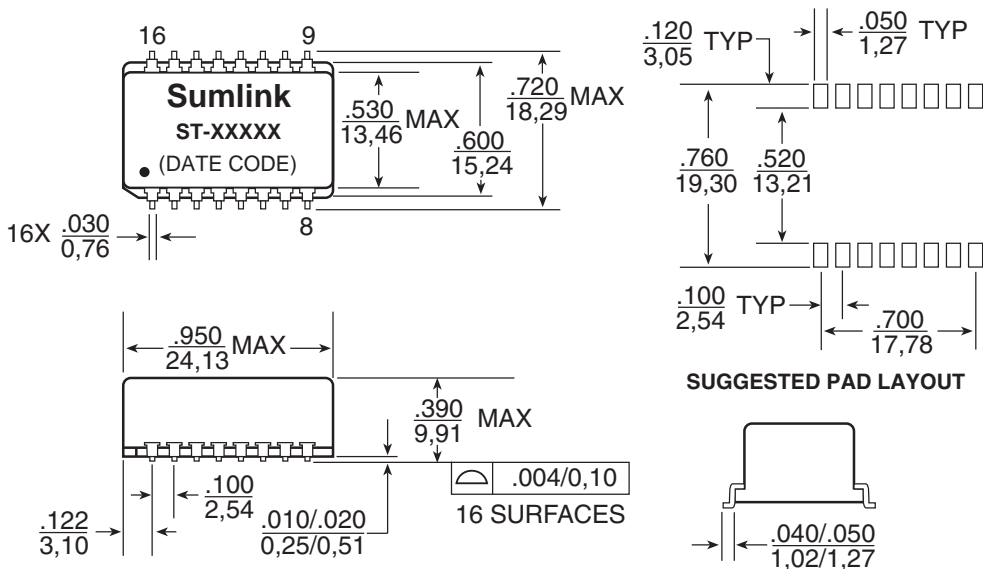


## 1. Dual, Surface Mount, 2KV Isolation, Transformers

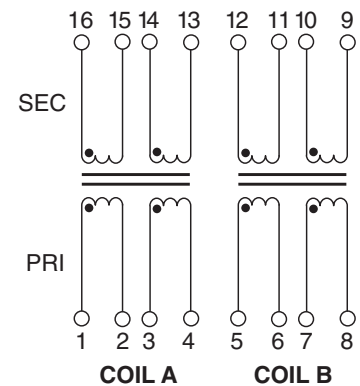
Electrical Specifications @ 25°C — Operating Temperature 0°C to 70°C

Part Number	Ratio (±2%)		OCL Pri (mH MIN) A & B	L <sub>L</sub> Sec (μH MAX)		C <sub>w/w</sub> (pF MAX) A & B	CD Pri (pF MAX)		DCR Pri (Ω ±25%)		DCR Sec (Ω ±25%)		Δ I <sub>dc</sub> (mA MAX)
	A	B		A	B		A	B	A	B	A	B	
ST-85792	1:1	1:2	22	5	15	100	42	80	2.4	2.3	2.4	4.0	1
ST-85793	1:1	1:1	22	5	5	100	42	42	2.4	2.4	2.4	2.4	1
ST-85795	1:2	1:2	22	15	15	100	80	80	2.5	2.5	4.3	4.3	1
ST-85798	1:2.5	1:2.5	22	8-40	8-40	100	110	110	2.5	2.5	5.8	5.8	1
ST-85799	1:2	1:2	22	11	11	100	180	180	2.4	2.4	4.4	4.4	1

## Mechanical



## Schematic



Dimensions:  $\frac{\text{Inches}}{\text{mm}}$   
Unless otherwise specified all tolerances are  $\pm \frac{.010}{0,25}$

## 2. Single, Through Hole, 2KV Isolation, Transformers

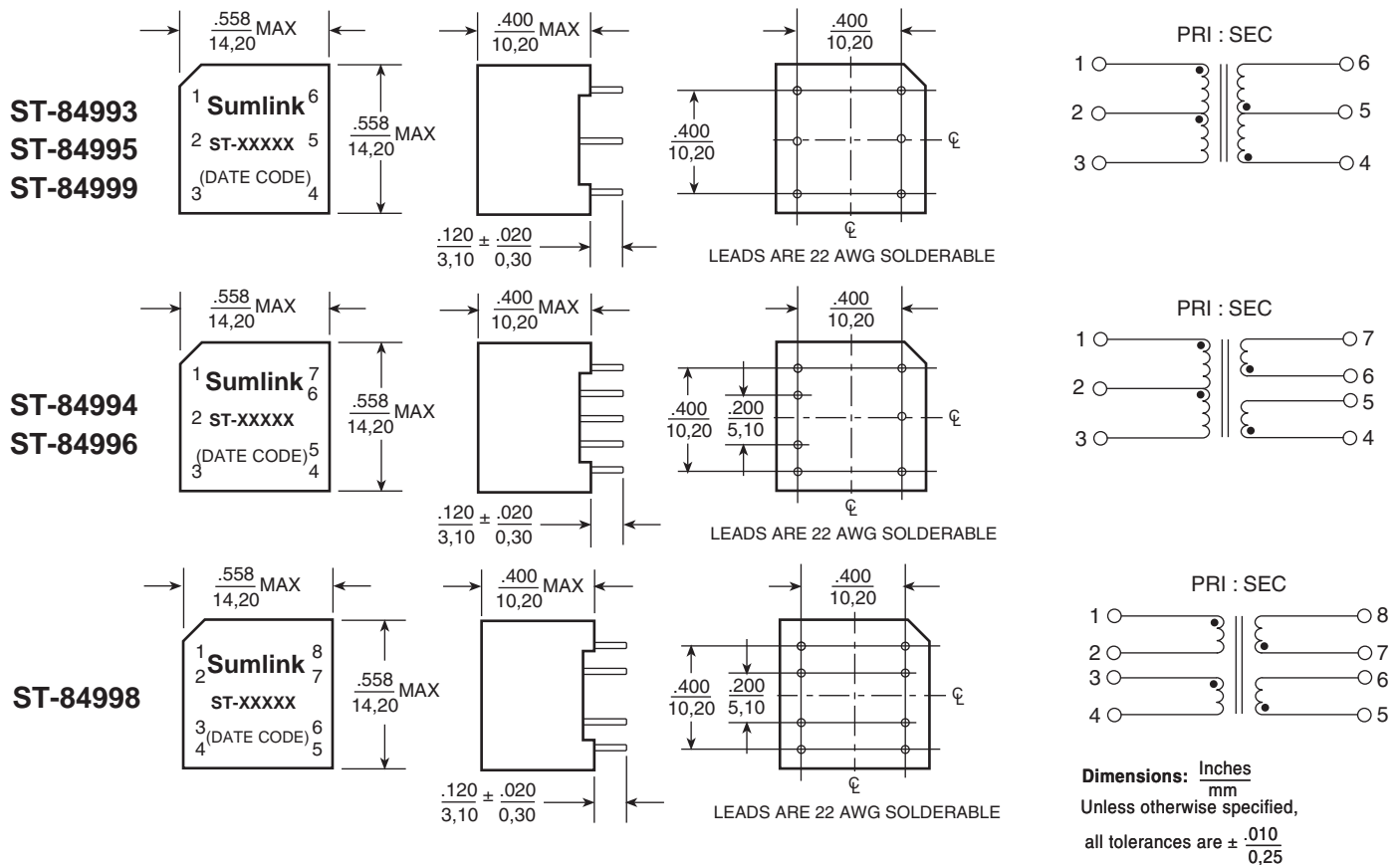
Electrical Specifications @ 25°C — Operating Temperature 0°C to 70°C

Part Number	Ratio (±2%)	OCL Pri (mH MIN)	L <sub>L</sub> Sec (μH MAX)	C <sub>w/w</sub> (pF MAX)	CD Pri (pF MAX)	DCR Pri (Ω ±25%)	DCR Sec (Ω ±25%)	Δ I <sub>dc</sub> (mA MAX)
ST-84993	1CT:1CT	22	5	100	42	2.4	2.4	1
ST-84994	1CT:1.8CS	22	15	100	160	2.5	4.2	1
ST-84995	1CT:2CT	22	15	100	80	2.5	4.3	1
ST-84996	1CT:2.5CS	22	30	100	150	2.5	5.8	1
ST-84998	1CS:2.5CS	22	15-40	100	110	2.5	5.8	1
ST-84999	1CT:2CT	22	11	100	180	2.4	4.4	1

# ISDN S-INTERFACE TRANSFORMERS

## Mechanical

## Schematic



### 3. Dual Through Hole, Transformers

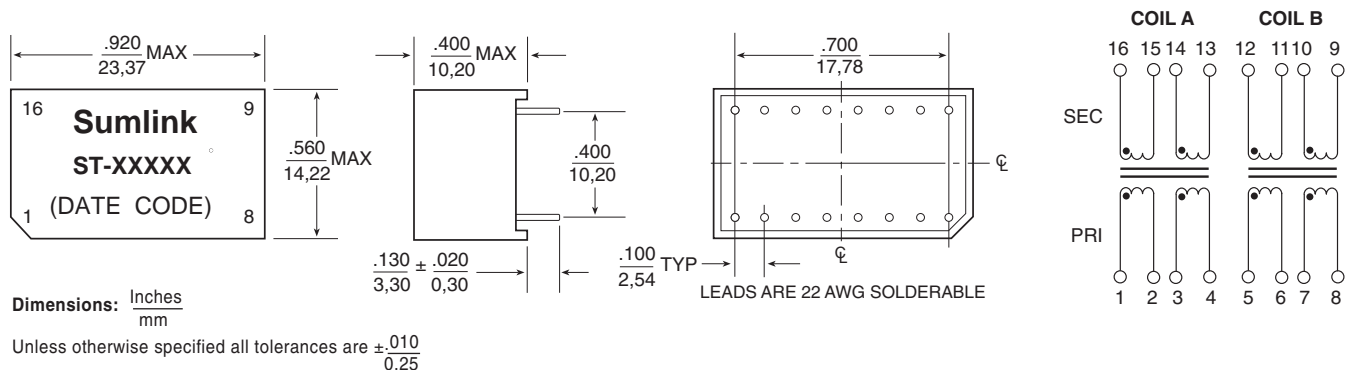
Electrical Specifications @ 25°C — Operating Temperature 0°C to 70°C

Part Number	COIL A				COIL B			
	Ratio	Equivalent Single	Primary Pins	Secondary Pins	Ratio	Equivalent Single	Primary Pins	Secondary Pins
ST-85492	1:1	ST-84993	1-4	16-13	1:2	ST-84995	5-8	12-9
ST-85493	1:1	ST-84993	1-4	16-13	1:1	ST-84993	5-8	12-9
ST-85495	1:2	ST-84995	1-4	16-13	1:2	ST-84995	5-8	12-9
ST-85498	1:2.5	ST-84998	1-4	16-13	1:2.5	ST-84998	5-8	12-9
ST-85499	1:2	ST-84999	1-4	16-13	1:2	ST-84999	5-8	12-9

NOTE: Refer to the equivalent single part number for electrical specifications.

## Mechanical

## Schematic



# ISDN S-INTERFACE TRANSFORMERS

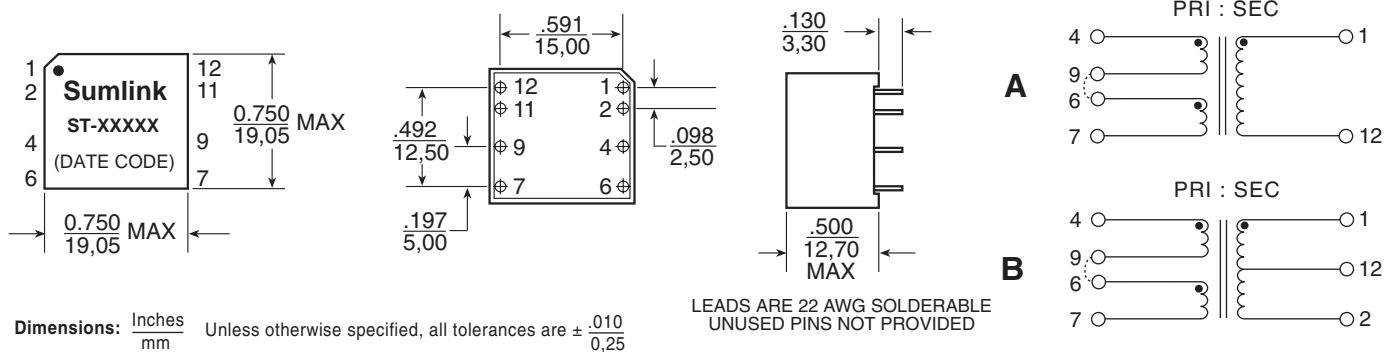
## 4. Single, Through Hole, 3KV Isolation, Transformers

Electrical Specifications @ 25°C — Operating Temperature 0°C to 70°C

Pulse Part Number	Ratio ± 2% (Pri:Sec)	OCL Pri (mH MIN)	L <sub>L</sub> Sec (μH MAX)	C <sub>w/w</sub> (pF MAX)	C <sub>D</sub> (pF MAX)	DCR (Ω ± 25%)		Unbalanced I <sub>b</sub> c (mA MAX)	Schematic
						Primary	Secondary		
ST-88992	1CS:2CT	22	15	60	80	3.0	5.5	5	B
ST-88993	1CS:1	22	5	40	40	2.8	2.7	5	A
ST-88995	1CS:2	22	15	60	80	3.0	5.5	5	A
ST-88998	1CS:2.5	22	8-40	60	110	3.0	7.0	5	A
ST-88999	1CS:2	22	11	50	110	2.8	5.5	5	A

### Mechanical

### Schematic



## 5. ISDN-S interface/IC Cross Reference

IC Manufacturer	IC Part Number	Dual Surface Mount	Single Through Hole, 2 KVrms		Dual Through Hole	Single Through Hole, 3 KVrms	
		Trans & Rec	Transmit	Receive	Trans & Rec	Transmit	Receive
AMD	AM 79C30A/79C32A	ST-85799	ST-84999	ST-84999	ST-85499	ST-88999	ST-88999
AT&T/Lucent	T7250/7256/7259	ST-85798	ST-84998	ST-84998	ST-85498	ST-88998	ST-88998
	T7903	ST-85795	ST-84995	ST-84995	ST-85495	ST-88995	ST-88995
Mietec	MTC-2072	ST-85795	ST-84995	ST-84995	ST-85495	ST-88995	ST-88995
Mitel	MT8930	ST-85795	ST-84995	ST-84995	ST-85495	ST-88995	ST-88995
Motorola	MC145474/145475	ST-85793	ST-84993	ST-84993	ST-85493	ST-88993	ST-88993
	MC145574	ST-85798	ST-84998	ST-84998	ST-85498	ST-88998	ST-88998
National	TP3420/3421	ST-85795	ST-84995	ST-84995	ST-85495	ST-88995	ST-88992
SGS Thomson	ST5420, ST5421	ST-85795	ST-84995	ST-84995	ST-85495	ST-88995	ST-88995
Siemens	PEB 2080/2081/2085 PSB 2186 PEB 2084/2086	ST-85795	ST-84995	ST-84995	ST-85495	ST-88995	ST-88995
Yamaha	7405B	ST-85795	ST-84995	ST-94995	ST-85495	ST-88995	ST-88995