

SINGLE RJ45 CONNECTOR MODULE WITH INTEGRATED 1000 BASE-T MAGNETICS

FEATURES

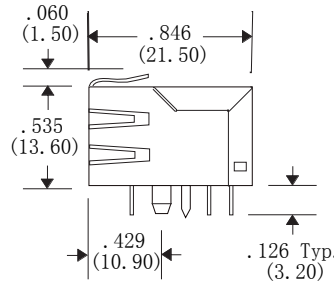
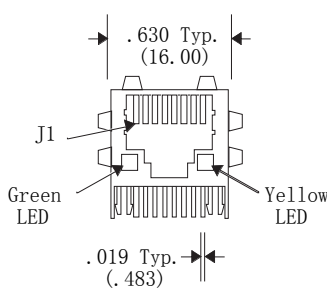
- 1000 Base-T RJ45 1x1 Tab-DOWN with integrated magnetics connector
- Available with or without LEDs
- Suitable for CAT 5 & 6 Fast Ethernet Cable or better UTP
- 350 μ H minimum OCL with 8 mA bias current
- Minimum 1500 Vrms isolation per IEEE 802.3 requirement



Electrical Specifications @ 25°C — Operating Temperature 0°C to +70°C

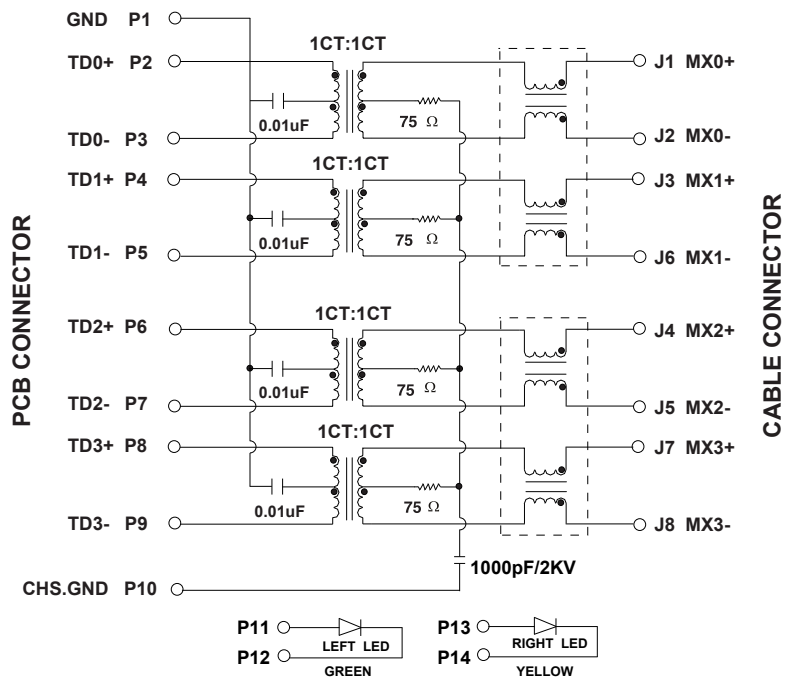
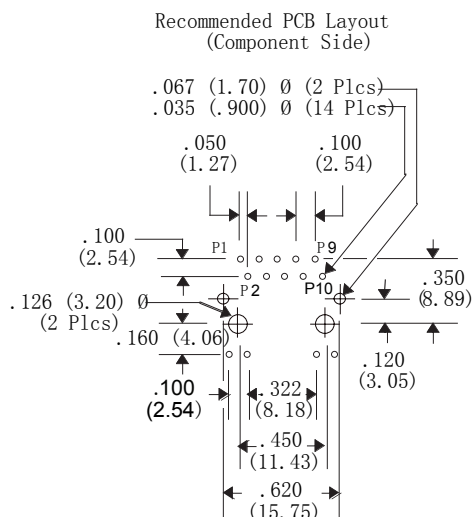
Part Number	LEDs L/R	Insertion Loss TX/RX (dB)	Return Loss (dB TYP) 100 Ω ($\pm 15 \Omega$)				Crosstalk (dB TYP)			Common Mode Rejection (dB TYP)		Hipot (MIN) @60 Hz 1MIN
			1-100MHz	1-10MHz	30MHz	60-80MHz	1-10MHz	32-65MHz	65-100MHz	1-125MHz	125-500MHz	
ST-JK005	NA	-1.0	-20	-16	-12	-40	-35	-30	-30	-20	1500 Vrms	
ST-JK006	G/Y	-1.0	-20	-16	-12	-40	-35	-30	-30	-20	1500 Vrms	
ST-JK007	N/A	-1.0	-20	-16	-12	-40	-35	-30	-30	-20	1500 Vrms	
ST-JK008	G/Y	-1.0	-20	-16	-12	-40	-35	-30	-30	-20	1500 Vrms	

Mechanicals



Dimensions: $\frac{\text{Inches}}{\text{mm}}$
Unless otherwise specified,
all tolerances are $\pm .010$
 $\frac{0.25}{\text{mm}}$

Schematics



NOTE: ST-JK005, ST-JK006 does not have the additional choke.