

10/100BASE-TX QUAD PORT TRANSFORMER MODULES

FEATURES

- Compliant with IEEE 802.3u and ANSI X3.263 standards including 350 μ H OCL with 8 mA bias
- Designed for optimal single and double stacked RJ-45 layouts
- IC grade, transfer-molded package withstands 235°C peak temperature profile
- Isolation voltage: 1500 Vrms

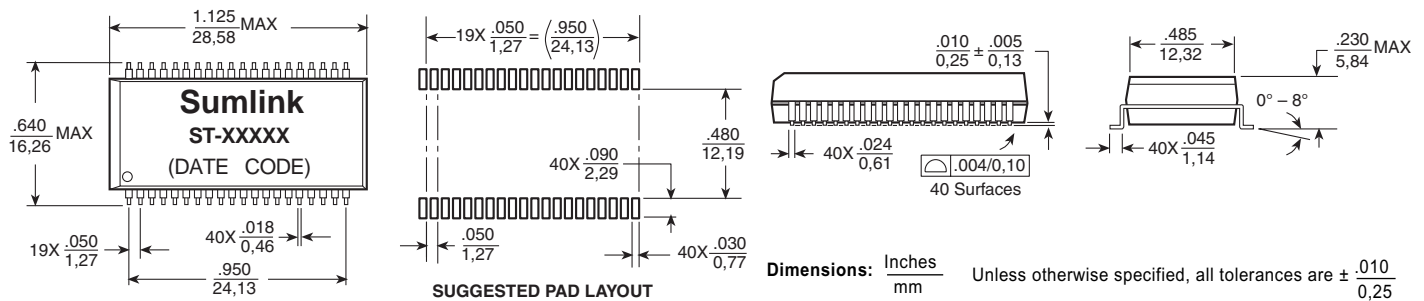


Electrical Specifications @ 25°C — Operating Temperature 0°C to 70°C

Part Number	Insertion Loss (dB TYP)	Return Loss (dB TYP)				Crosstalk (dB MIN)				Common to Common Rejection Ratio 0.1-60 MHz (db MIN)		Differential to Common Mode Rejection (dB MIN)	
		0.1-100 MHz	2-30 MHz	40 MHz	50 MHz	60-80 MHz	1 MHz	30 MHz	60 MHz	100 MHz	Transmit	Receive	1-60 MHz
ST-L1036	-0.5	-21	-17	-14.5	-12	-65	-55	-45	-35	-30	-30	-40	-30
ST-L1044	-0.5	-21	-17	-14.5	-12	-65	-55	-45	-35	-30	-30	-40	-30
ST-L1053	-0.5	-21	-17	-14.5	-12	-65	-50	-40	-30	-30	-30	-40	-30
ST-L1060	-0.5	-21	-17	-14.5	-12	-65	-50	-40	-30	-30	-30	-40	-30
ST-L1062	-0.5	-21	-17	-14.5	-12	-65	-55	-45	-35	-30	-30	-40	-30
ST-L1068	-0.5	-21	-17	-14.5	-12	-60	-50	-40	-35	-30	-30	-40	-30
ST-L1069	-0.5	-21	-17	-14.5	-12	-60	-50	-40	-35	-30	-30	-40	-30
ST-L1071	-0.5	-21	-17	-14.5	-12	-65	-50	-40	-30	-30	-30	-40	-30
ST-L1074	-0.5	-21	-17	-14.5	-12	-60	-50	-40	-35	-30	-30	-40	-30
ST-L1164	-1.0	-18	-14.4	-13.1	-12	-55	-45	-40	-33	-	-	-37	-25

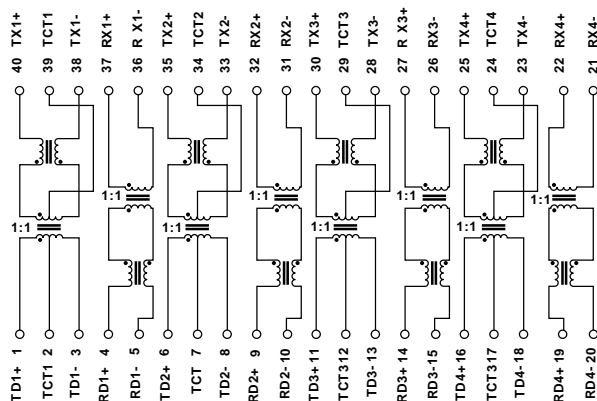
NOTE: ST-L1164 Symmetrical TX and RX channels for Auto MDI/MDIX capability.

Mechanical

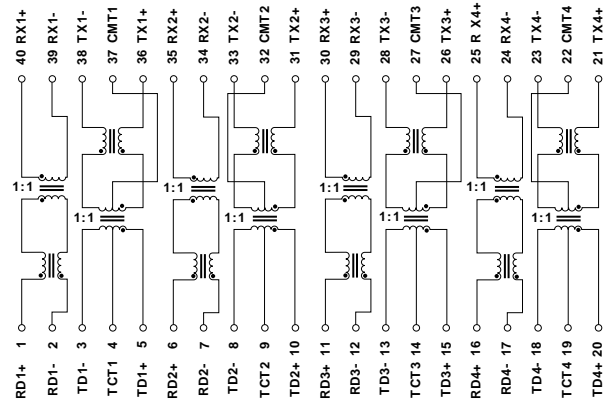


Schematics

ST-L1036



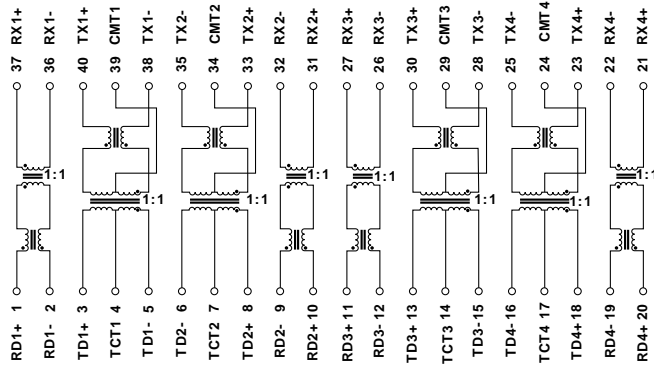
ST-L1044



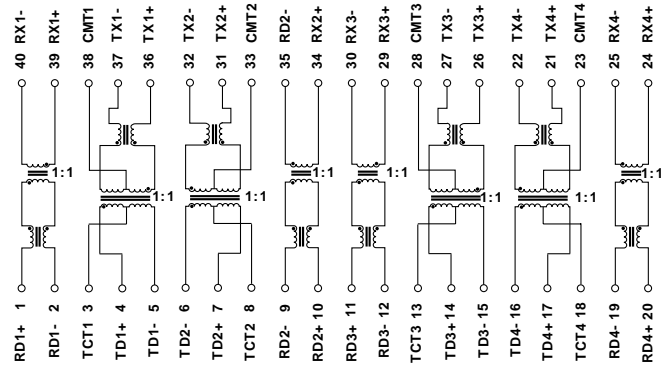
10/100BASE-TX QUAD PORT TRANSFORMER MODULES

Schematics

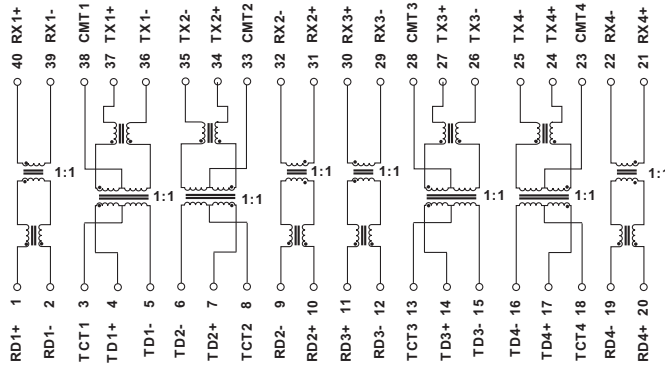
ST-L1053



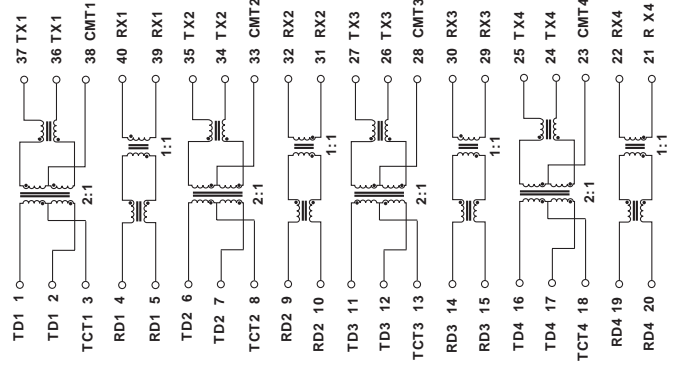
ST-L1060



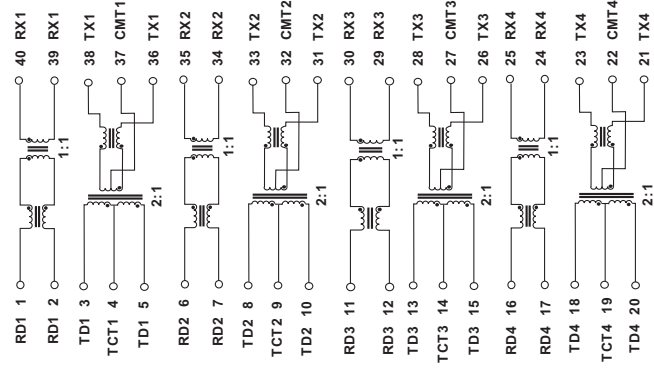
ST-L1062



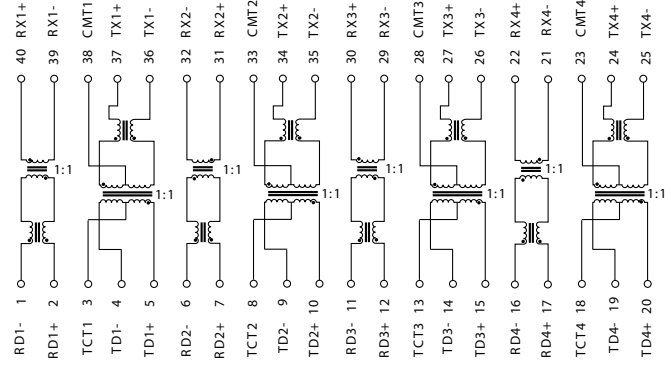
ST-L1068



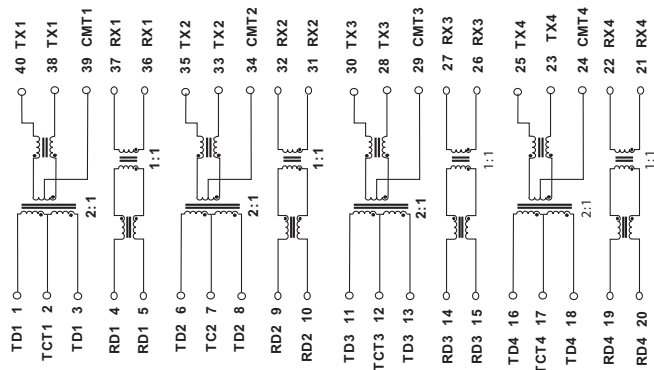
ST-L1069



ST-L1071



ST-L1074



ST-L1164

