

# 10/100BASE-T SINGLE PORT THROUGH HOLE TRANSFORMER

## FEATURES

- Compliant with IEEE 802.3u and ANSI X3.263 standards including 350  $\mu$ H OCL with 8 mA bias

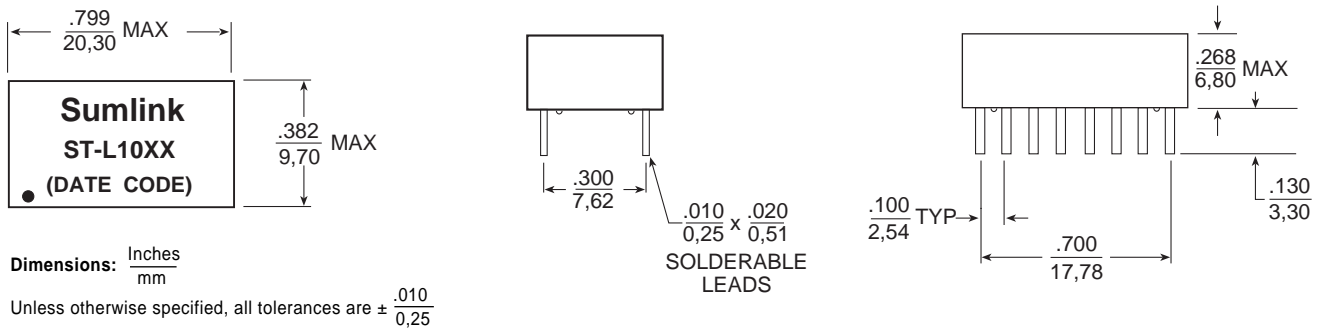


Electrical Specifications @ 25°C — Operating Temperature 0°C to 70°C

Part Number	Turns Ratio (5%)		Insertion Loss (dB MAX)	Return Loss (dB MIN @100 $\Omega$ )					Crosstalk (dB TYP)	Differential Common Mode Rejection (dB MIN)	Hipot (Vrms) (MIN)
	Transmit	Receive		0.3-100 MHz	30 MHz	40 MHz	50 MHz	60 MHz			
ST-L1011	1CT:1CT	1CT:1CT	-1.15	-16	-14	-13.5	-13	-12	-35	-30	1500
ST-L1012	1CT:1	1CT:1CT	-1.15	-16	-14	-13.5	-13	-12	-35	-30	1500
ST-L1013	1CT:1CT	1CT:1CT	-1.1	-16	-14	-13.5	-13	-12	-35	-30	1500
ST-L1014	1CT:1CT	1:1	-1.1	-16	-14	-13.5	-13	-12	-35	-30	1500
ST-L1015	1CT:1CT	1CT:1CT	-1.15	-16	-14	-13.5	-13	-12	-35	-30	1500
ST-L1016	1CT:1CT	1CT:1CT	-1.15	-16	-14	-13.5	-13	-12	-35	-30	1500
ST-L1017	1CT:1	1CT:1CT	-1.15	-16	-14	-13.5	-13	-12	-35	-30	1500
ST-L1018	1CT:1CT	1CT:1CT	-1.15	-16	-14	-13.5	-13	-12	-35	-30	1500

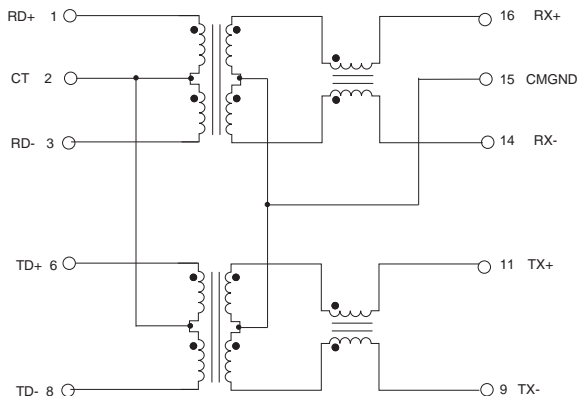
**NOTE:** ST-L1011, ST-L1013 Symmetrical TX and RX channels for Auto MDI/MDIX capability

## Mechanicals



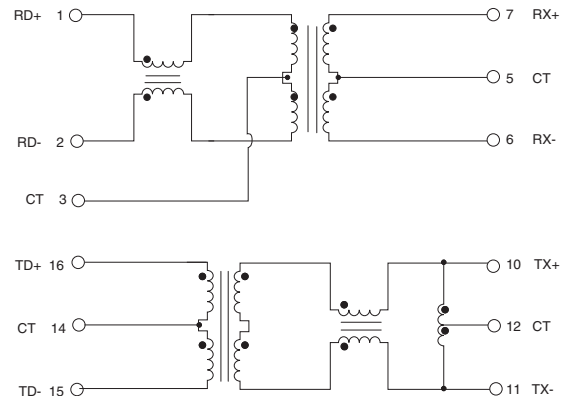
## Schematics

**ST-L1011**



PIN 4, 5, 7, 10, 12, 13 CUT OFF

**ST-L1012**

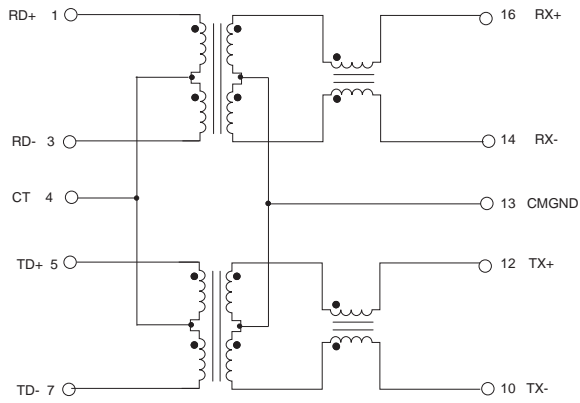


PIN 4, 13 CUT OFF

# 10/100BASE-T SINGLE PORT THROUGH HOLE TRANSFORMERS

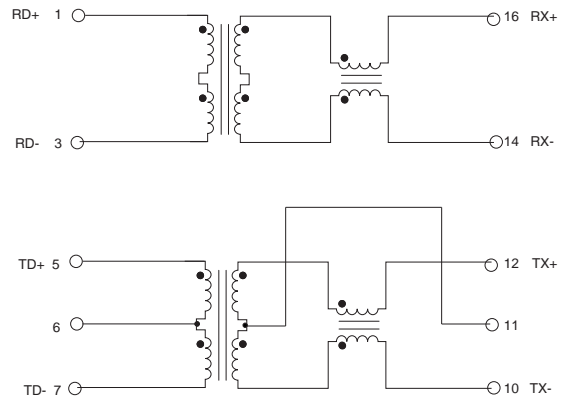
## Schematics

**ST-L1013**



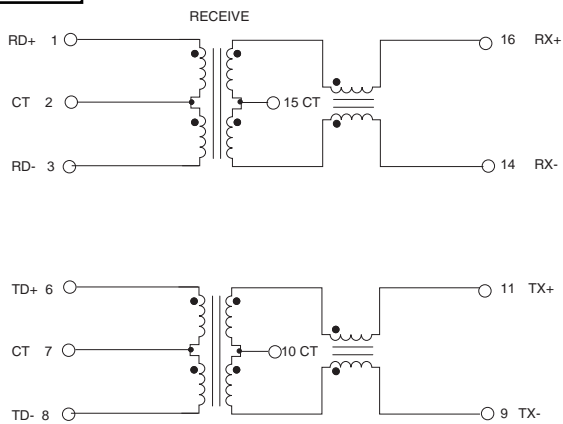
PIN 2, 6, 8, 9, 11, 15 CUT OFF

**ST-L1014**



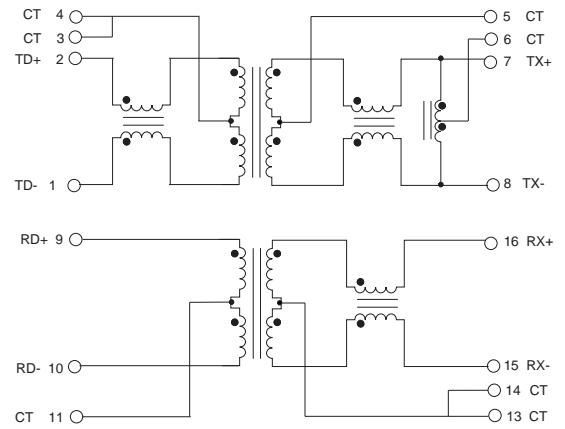
PIN 4, 13 CUT OFF

**ST-L1015**



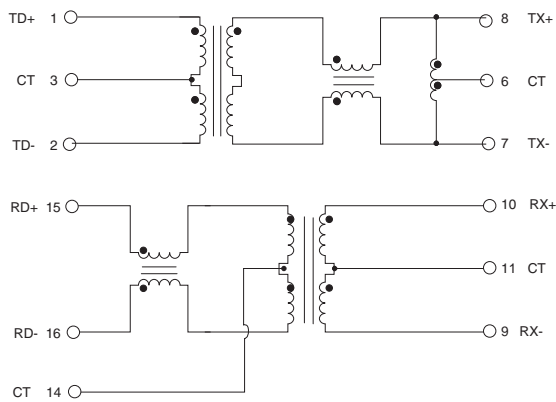
PIN 4, 5, 12, 13 CUT OFF

**ST-L1016**



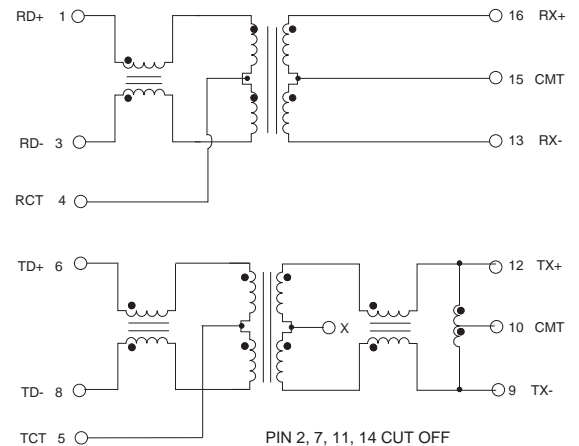
PIN 12 CUT OFF

**ST-L1017**



PIN 4, 5, 12, 13 CUT OFF

**ST-L1018**



PIN 2, 7, 11, 14 CUT OFF