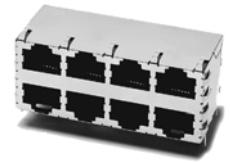


RJ45 CONNECTOR MODULE WITH INTEGRATED 10/100 BASE-TX MAGNETICS

FEATURES

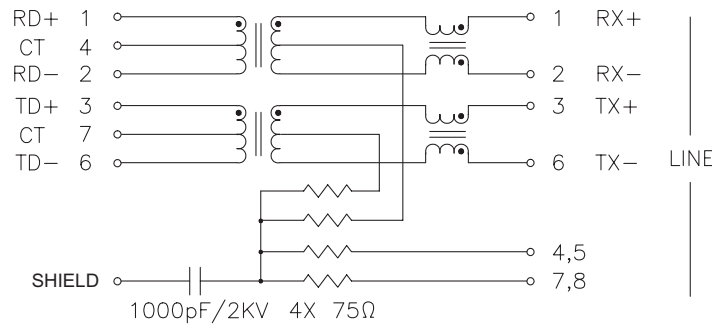
- 2XN RJ45 with internal magnetics
- Options: 2x4, 2x6, and 2x8 for 10/100 Base-TX
- Suitable for CAT 5 & 6 Fast Ethernet Cable or better UTP
- Internal magnetics are 100% electrically tested for HI-POT and functionality
- 350 μ H minimum OCL with 8 mA bias current



Electrical Specifications @ 25°C — Operating Temperature 0°C to +70°C

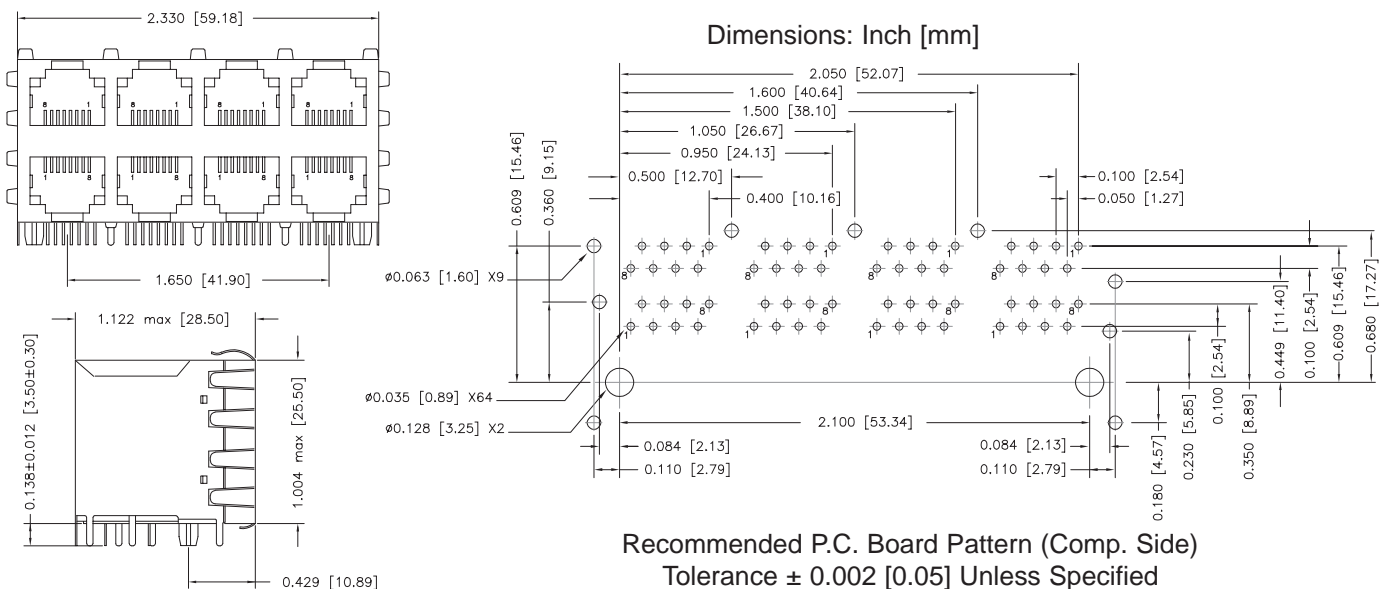
Part Number (Number of Ports)	Turns Ratios		Insertion Loss (dB MAX)		Return Loss (dB TYP) 100 Ω ($\pm 15 \Omega$)		Crosstalk (dB MIN)	Common Mode Rejection (dB TYP)	Hipot (MIN)
	TX	RX	1-80MHz	100MHz	1-60MHz	60-100MHz	1-100MHz	1-100MHz	@60 Hz 1MIN
ST-J2401 (2X4)	1CT:1CT	1CT:1CT	-1.0	-1.2	-16	-12	-35	-30	1500 Vrms
ST-J2601 (2X6)	1CT:1CT	1CT:1CT	-1.0	-1.2	-16	-12	-35	-30	1500 Vrms
ST-J2801 (2X8)	1CT:1CT	1CT:1CT	-1.0	-1.2	-16	-12	-35	-30	1500 Vrms

Schematics



Mechanicals

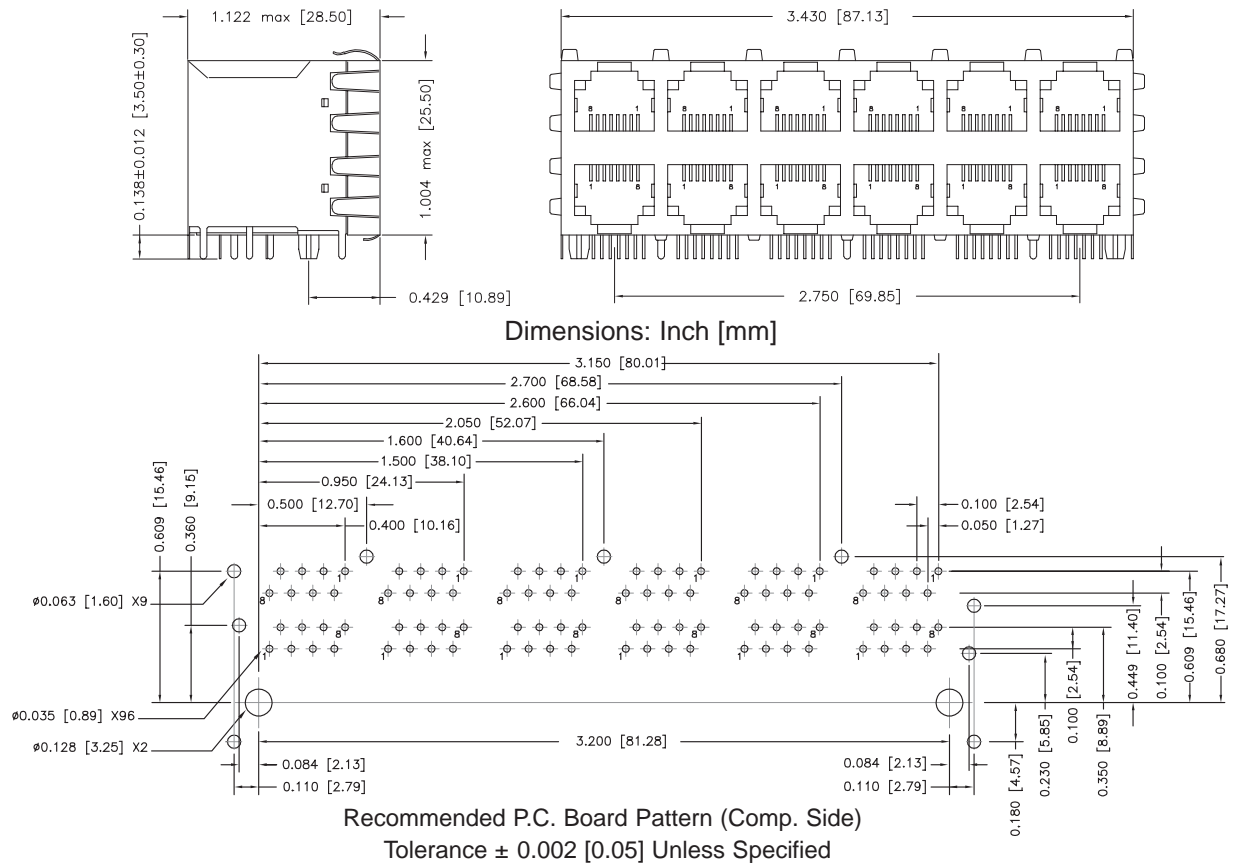
ST-J2401



RJ45 CONNECTOR MODULE WITH INTEGRATED 10/100 BASE-TX MAGNETICS

Mechanicals

ST-J2601



ST-J2801

