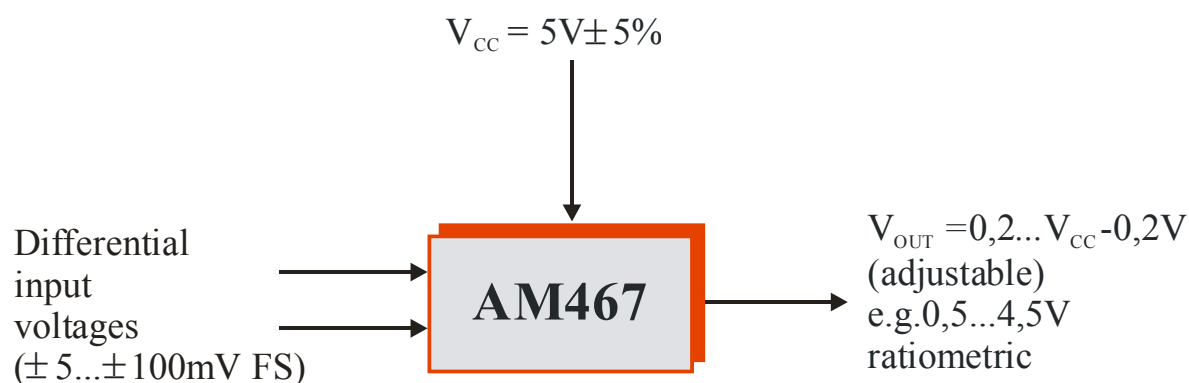


# Precision amplifier for bridge circuits

## AM467

### PRINCIPLE FUNCTION

Adjustable amplification of differential input voltage signals  
(from 0 to  $\pm 5$  mV FS up to 0 to  $\pm 100$  mV FS)  
to an adjustable, ratiometric output voltage of 0.2V to  $V_{CC}-0.2$  V



### TYPICAL APPLICATIONS

- Amplifiers for ceramic sensing elements
- Amplifiers for DMS sensing elements
- Amplifiers for GMR sensing elements
- For industrial and automotive applications

# Precision amplifier for bridge circuits

## AM467

### TABLE OF CONTENTS

PRINCIPLE FUNCTION	1
TYPICAL APPLICATIONS	1
FEATURES	3
GENERAL DESCRIPTION	3
BLOCK DIAGRAM	3
ELECTRICAL SPECIFICATIONS	4
DESCRIPTION OF FUNCTIONS	5
EXAMPLE APPLICATION	5
The procedure in detail (for calibration with discrete resistors)	6
DIMENSIONING	7
NOTES	8
BLOCK DIAGRAM and PINOUT	8
FURTHER READING	9

# Precision amplifier for bridge circuits

## AM467

### FEATURES

- **Wide differential input voltage range** ( $\pm 5$  mV FS... $\pm 100$  mV FS)
- **Low offset**
- **Low offset drift**
- **Low input noise**
- **High CMRR: > 120 dB**
- **Wide operating temperature range:**  $-40$  °C...  $+125$  °C
- **Adjustable output voltage**
- **Rail-to-rail output stage:**  
 $V_{OUT} = 0.2$  V ...  $V_{CC} - 0.2$  V
- **Sink/source output**
- **Single ratiometric supply:  $V_{CC} = 5$  V**
- **Integrated EMV protective functions**
- **Overvoltage protection 12 V**
- **Integrated ESD protective functions**
- **Short-circuit-proofing**
- **Small-scale design**

### GENERAL DESCRIPTION

AM457 is a high-precision integrated amplifier which has been developed to condition signals from small differential input voltages within a range of a few millivolts ( $\pm 5$  to  $\pm 100$  mV FS). The chief component of the IC is a highly accurate, low-noise amplifier circuit which can be adjusted to the sensing elements using an external network of resistors.

With the exception of the additional operational amplifier and the diagnostic unit IC AM467's pins and functions are compatible with the AM457.

The rail-to-rail output makes the IC suitable for the amplification of DMS and piezoceramic sensing elements and GMR measuring cells with respect to the specific calibration network.

### BLOCK DIAGRAM

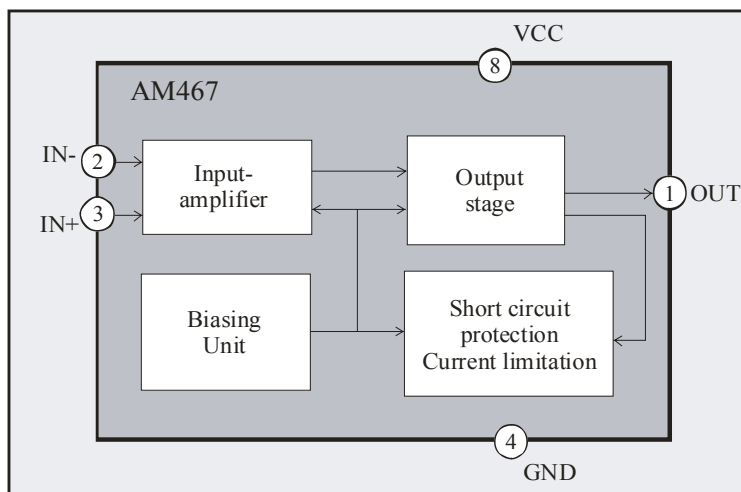


Figure 1: Block diagram for AM467

# Precision amplifier for bridge circuits

## AM467

### ELECTRICAL SPECIFICATIONS

(with reference to the example application)

$T_{amb} = 25^{\circ}\text{C}$ ,  $V_{CC} = 5\text{V}$  (unless otherwise stated)

Parameter	Symbol	Conditions	Min.	Typ.	Max.	Unit
Voltage Range	$V_{CC}$		4.5	5	5.5	V
Quiescent Current	$I_{CC}$	$T_{amb} = -40 \dots +125^{\circ}\text{C}$	170	320	530	$\mu\text{A}$
<b>Temperature Specifications</b>						
Operating	$T_{amb}$		-45		125	$^{\circ}\text{C}$
Storage	$T_{st}$		-55		150	$^{\circ}\text{C}$
Junction	$T_J$				150	$^{\circ}\text{C}$
<b>Amplifier AMP</b>						
Offset Voltage	$V_{OS}$			$\pm 0.1$	$\pm 0.3$	mV
$V_{OS}$ vs. Temperature	$dV_{OS}/dT$	$T_{amb} = -45 \dots 105^{\circ}\text{C}$		$\pm 0.5$	$\pm 3$	$\mu\text{V}/^{\circ}\text{C}$
$V_{OS}$ vs. Temperature	$dV_{OS}/dT$	$T_{amb} = 105 \dots 125^{\circ}\text{C}$			$\pm 6$	$\mu\text{V}/^{\circ}\text{C}$
Input Bias Current	$I_B$	$V_{CM} = 2.5\text{V}$		30	200	nA
$I_B$ vs. Temperature	$dI_B/dT$	$T_{amb} = -45 \dots 125^{\circ}\text{C}$		-0.13	-0.6	$\text{nA}/^{\circ}\text{C}$
Differential Input Voltage	$V_{IN}$	$V_{IN} = V_{out+} - V_{out-}$ See Figure 2	$\pm 5$		$\pm 100$	mV
Input Offset Current	$I_{OS}$	$V_{CM} = 2.5\text{V}$		$\pm 0.5$	$\pm 5$	nA
$I_{OS}$ vs. Temperature	$dI_{OS}/dT$	$T_{amb} = -45 \dots 125^{\circ}\text{C}$		$\pm 2.5$	$\pm 30$	$\text{pA}/^{\circ}\text{C}$
Input Resistance	$R_{IN}$	$V_{CM} / I_{B,typ}$ ( $V_{CM} = 2.5\text{V}$ )		80		M $\Omega$
Input Capacitance	$C_{IN}$	By design		90		pF
Common Mode Input Range	$CMIR$		1		3.7	V
Common Mode Rejection Ratio	$CMRR$		100	120		dB
Open Loop Gain	$G_0$	$CI = 1\text{nF}$ ; $I_{out} = 1\mu\text{A}$	120	140		dB
Adjustable Gain	$G$		10			
Output Voltage Range	$V_{OUT}$		0.2		$V_{CC} - 0.2$	V
Guaranteed Max Output Current	$I_{OUT}$	Sink and source	250			$\mu\text{A}$
Output Load Resistance	$R_L$	$= V_{OUT} / I_{OUT}$ , sink and source	20			k $\Omega$
Power Supply Rejection Ratio	$PSRR$		90	110		dB
Gain Bandwidth Product	$GBW$	$R_{1,2} = 1\text{k}$ $R_k = 10\text{k}$ , $CI = 1\text{nF}$ , $C_k = 100\text{pF}$ , no RL	190	310		kHz
Non Linearity		$NL = G/G_0$ , $G \leq 100$			$10^{-4}$	
Slew Rate	$SR$	$C_l = 1\text{nF}$ ; $R_L = 20\text{k}\Omega$	0.2	0.3		$\text{V}/\mu\text{s}$
Input Voltage Noise	$e_n$	$R_s = 100\Omega$ ; $V_{CC} = 5\text{V}$ ; $f_g = 1\text{kHz}$ with $R_s = \text{Source Impedance}$		13.5	20	$\text{nV}/\sqrt{\text{Hz}}$
Overvoltage Protection					12	V

**Table 1: Specifications**

Currents flowing into the IC are negative.  $V_{CM} = \text{Input Common Mode Voltage}$

# Precision amplifier for bridge circuits

## AM467

### EXTERNAL COMPONENTS

Parameter	Symbol	Conditions	Min.	Typ.	Max.	Unit
Output Capacitor	$C_1$		1		5	nF
Compensation Capacitor	$C_2$			100		pF
Stabilization Capacitor (optional)	$C_3$			100		nF
EMV Protection Capacitor (optional)	$C_4$			470		pF
Load Resistor to GND, to $V_{CC}$	$R_L$	$V_{out} = \max. V_{out}$	20			k $\Omega$

**Table 2: External components of the calibration network**

**Recommended:** ceramic capacitors

### DESCRIPTION OF FUNCTIONS

AM457 is an integrated precision circuit for the signal amplification of high-impedance signal sources and for the signal conditioning of sensor bridges with low sensitivity, particularly for ceramic and DMS sensing elements or GMR measuring cells.

The IC generates a rail-to-rail output signal of 0.2 V to  $V_{CC}-0.2$  V. The amplification and offset can be set independently of one another using external resistors. Through the suitable dimensioning of external resistors in particular an output voltage of 0.5...4.5 V can also be provided. As these values are standard the following description refers to this output voltage.

AM467 works on the principle of ratiometry with a supply voltage of 5 V  $\pm 5\%$ . The IC is distinguished by its low offset and extremely low thermal offset drift across a wide temperature range, enabling it to be classified as a precision amplifier.

The sink and source output stage is protected internally against short-circuiting.

The AM467 design incorporates protective measures against interference from EMV and ESD using suitable semiconductor structures.

With the exception of the additional operational amplifier and the diagnostic unit the IC is compatible with AM457. AM467 thus has a smaller chip surface and a lower power consumption.

AM467 can be used as an autonomous signal conditioning IC or as a preamplifier for an A/D converter for back-end digitization.

### EXAMPLE APPLICATION

**AM457 is suitable for the amplification of resistance networks connected up as a Wheatstone bridge with four resistors and which have a low sensitivity, such as 1.0 to 3.5 mV/V with a 5 V supply, for example. By way of example a sensor application is described herein which is**

# Precision amplifier for bridge circuits

## AM467

based on a piezoceramic sensing element such as the above and is to be calibrated to an output signal of 0.5...4.5 V (sensor system).

### The basic calibration procedure

The sensor system is calibrated in two stages. Using a mathematical algorithm (Excel sheet: Cali\_AM467\_rev1.xls) and taking AM467's measured output voltage values and the individual sensor bridge values as a basis, the values for the two resistors (calibration resistors) are calculated. In the calibration of the system all effective errors (parasitic effects and component tolerances) are taken into account.

The sensing element is first measured and secondly the electrical characteristics of the sensor using predefined precision measuring resistors. This information is then processed in an Excel program to calculate the setpoint for two of the calibration resistors which are then swapped with the given measuring resistors and added to the circuit accordingly.

If necessary, in a second stage the offset of the output voltage can be corrected using the information given in the Excel sheet.

### The procedure in detail (for calibration with discrete resistors)

In order to evaluate the sensor system signal four resistors ( $R_1$  to  $R_4$ ) are required (see *Figure 2*). The values of the two resistors  $R_2$  and  $R_4$  are fixed for the network and do not have to be adjusted during calibration. Like capacitors  $C_1$  to  $C_4$  they can be mounted on the circuit board at the outset. Resistors  $R_1$  and  $R_3$  act as measuring resistors and are assembled on the measuring apparatus for all sensor systems in one sensing element category (see *Dimensioning*). Their values must be as close as possible to those calculated by Analog Microelectronics for the relevant sensing element category. With the described components ( $R_1$  to  $R_4$  and  $C_1$  to  $C_4$ ) the sensor signal is at its operating point which then enables calibration.

For this purpose a few of the electrical characteristics of the sensing element are first determined without the evaluation circuitry being connected (Stage 1). Using the Excel calibration software (Kali\_AM467.xls) the necessary calibration parameters are: the sensing element resistance (RBR), average output voltage of the sensing element (VBR) and the system's supply voltage (VCC).

Once these three values have been determined the sensing element is connected up to the evaluation circuit. The output signal at the AM467 IC (Out1 and Out2) is measured at zero and full pressure (offset and full scale signal) and entered into the Excel program with the bridge values including the values for the given maximum pressure of the sensing element ( $P_{max}$ ).

Taking these values and applying them to a calibration algorithm the two resistors  $R_1$  and  $R_3$  are calculated separately for each individual system. These then replace the measuring resistors and have to be soldered onto the circuit board.

# Precision amplifier for bridge circuits

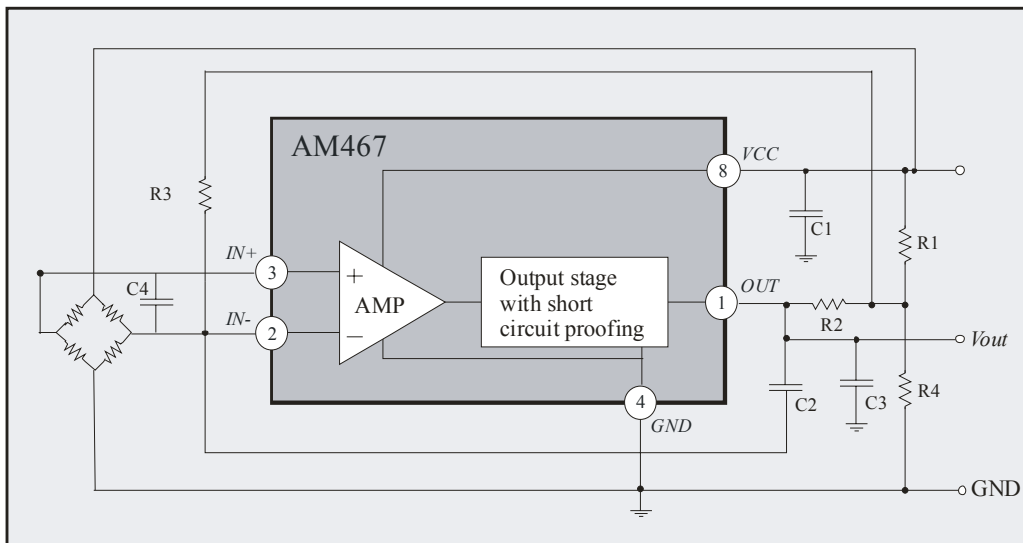
## AM467

Resistors  $R_1$  and  $R_3$  are described as calibration resistors. These stipulate the final operating point.

Once these resistors have been mounted the calibration procedure is complete. Depending on the accuracy of the resistors used an offset value of 0.5 V and a full scale signal of 4.5 V should have been obtained.

Should the expected final accuracy require it, in an additional second stage (Stage 2) the offset of the output voltage can be corrected using resistor  $R_1$ . To this end the AM467 output must again be measured at  $P = 0$  bar. If at 0 bar the output is too high or too low by a few millivolts, for example, the Excel program then calculates the necessary second correction of  $R_1$  in ohms.

The offset error which is then obtained if a different resistance is used in place of calculated resistance  $R_1$  can also be determined by the Excel sheet. The sensitivity in mV/ohm is instrumental here, providing information as to by how many millivolts the offset shifts when the used resistor  $R_1$  has a  $\Delta R$  (in ohms) to the calculated value. The given sensitivity value (mV/ohm) is multiplied by the  $\Delta R$  of resistor  $R_1$  to obtain a change in offset which affects both the offset (0.5 V) and the full scale signal (4.5 V).



**Figure 3: Ceramic sensing element with AM467 and a calibration network with external resistors.**

## DIMENSIONING

In the combination of ceramic sensing element and AM467 the operating point (the initial value of the four resistors  $R_1$  to  $R_4$ ) was determined for all sensing elements in a specific sensing element category. In the case of piezoceramic sensors the term "sensing element category" is used to denote sensing elements with the following characteristics:

## *analog microelectronics*

Analog Microelectronics GmbH  
An der Fahrt 13, D – 55124 Mainz  
Internet: <http://www.analogmicro.de>

Phone: +49 (0)6131/91 073 – 0  
Fax: +49 (0)6131/91 073 – 30  
Email: [info@analogmicro.de](mailto:info@analogmicro.de)

February 2007

7/9

Rev. 1.0

# Precision amplifier for bridge circuits

## AM467

Bridge resistance: 11 kOhm  $\pm$  20%  
Sensitivity: 2.4  $\pm$  1 mV/V  
Offset: 0 to  $\pm$  0.3 mV/V  
Supply voltage: 5 V  $\pm$  10%

The following values are obtained for the above sensing element categories:

Fixed resistor  $R_2 = 33$  k; accuracy of 1%  
Fixed resistor  $R_4 = 12$  k; accuracy of 1%  
Measuring resistor  $R_1 = 11$  k; accuracy of 0.1%  
Measuring resistor  $R_3 = 120$  k; accuracy of 0.1%  
 $C_1 = 100$  nF (optional)  
 $C_2 = 100$  pF (ceramic)  
 $C_3 = 1$  nF to 5 nF (ceramic)  
 $C_4 = 470$  pF optional (ceramic)

### NOTES

For bridge circuits with characteristics other than the above (with other sensing element categories, such as DMS sensing elements, for example) Analog Microelectronics can adapt the dimensioning program on request.

An Excel program (Cali\_AM467\_rev1.xls) is used for calibration (the calculation of the definitive operating point). This is available on the [www.analogmicro.de](http://www.analogmicro.de) website.

### DIAGRAM and PINOUT

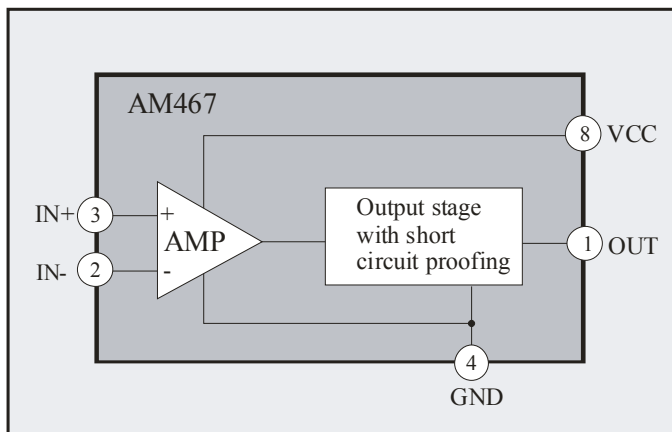


Figure 3: Diagram of AM467

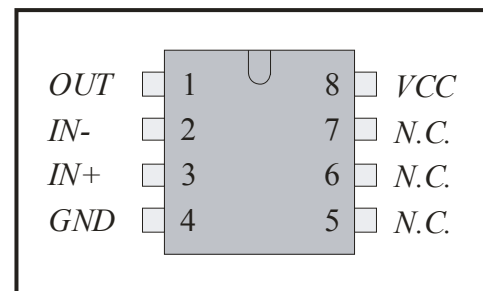


Figure 4: AM467 Pinout



# Precision amplifier for bridge circuits

## AM467

PIN	NAME	EXPLANATION
1	<i>OUT</i>	Output
2	<i>IN-</i>	Negative Input
3	<i>IN+</i>	Positive Input
4	GND	IC Ground
5	<i>N.C.</i>	No function
6	<i>N.C.</i>	No function
7	<i>N.C.</i>	No function
8	<i>VCC</i>	5V Supply Voltage

**Table 3: Pin configuration for AM467**

For package dimensions see: <http://www.analogmicro.de/products/analogmicro.de.en.package.pdf>

## FURTHER READING

As AM467 is identical in its specifications to AM457 – with the exception of the diagnosis – the calibration guidelines given for the latter also apply to AM467, available at [www.analogmicro.de](http://www.analogmicro.de) for various different networks.

AN1009 Application description

AN1011 Calibration for DMS sensing elements

AN1012 Calibration for piezoceramic sensing elements

## DELIVERY OPTIONS

AM467 is available as:

- An SOP 8
- Dice in a 4" wafer on 5" blue foil (on request)

## NOTES

Analog Microelectronics reserves the right to make amendments to dimensions, technical data and any other information without prior notice.

***analog microelectronics***

Analog Microelectronics GmbH  
An der Fahrt 13, D – 55124 Mainz  
Internet: <http://www.analogmicro.de>

Phone: +49 (0)6131/91 073 – 0  
Fax: +49 (0)6131/91 073 – 30  
Email: [info@analogmicro.de](mailto:info@analogmicro.de)

February 2007

9/9

Rev. 1.0