

VOLTAGE CONTROLLED OSCILLATOR

CONNECTORIZED MODEL: KDCO615712-5

OPTIMIZED BANDWIDTH

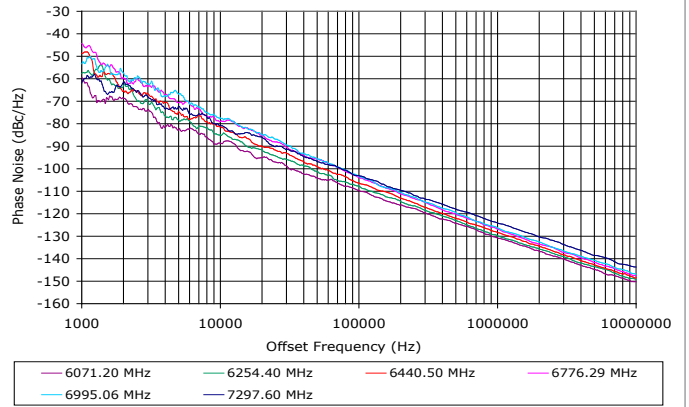
6150 - 7120 MHz

FEATURES:

- ▶ Superb Phase Noise Performance
- ▶ Planar Resonator Construction



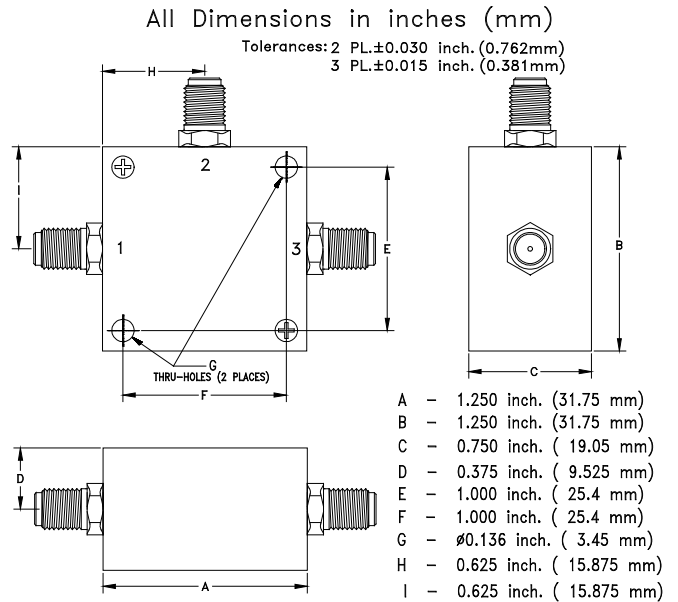
Phase Noise



SPECIFICATIONS

Frequency	6150 - 7120 MHz	
Tuning Voltage	See table below.	
Bias Voltage	+5 VDC @ 22 mA (Max.)	
Output Power	-5 dBm (Min.)	
Tuning Sensitivity	55 - 170 MHz/V (Typ.)	
Output Impedance	50 Ohms (Nom.)	
Harmonic Suppression	25 dB (Typ.)	
Frequency Pulling	12 MHz (Typ. @ 1.75:1 VSWR)	
Frequency Pushing	12 MHz/V (Typ.)	
Tuning Port Capacitance	10 pF (Typ.)	
Typical Phase Noise	Offset	dBc/Hz
	10 kHz	-85
	100 kHz	-106
Operating Temperature Range	-40 to +85 °C	

Package # 110LF



Guaranteed Tuning Specifications

Tuning Voltage (V)	Frequency (MHz)
0.5	6150 (Max.)
5	6400 (Min.)
8	6800 (Min.)
12	7120 (Min.)

Absolute Maximum Ratings

Storage Temp. Range	-55 to +125 °C
Bias Voltage	+5.5 V
Tuning Voltage	+15 V
DC Voltage Applied to RF Out	± 25 V

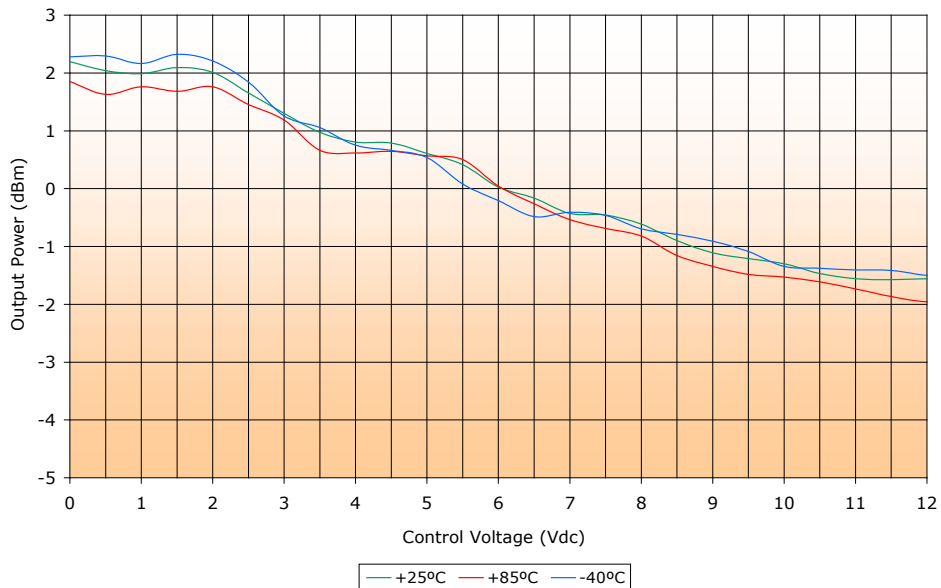
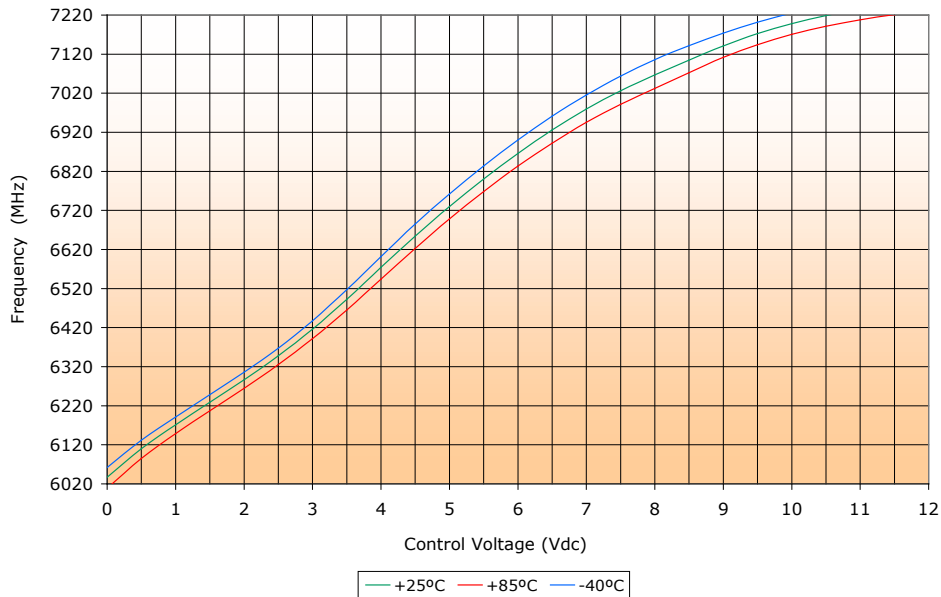
Port Configuration		
RF Out	Vcc	Vtune
1	2	3

VOLTAGE CONTROLLED OSCILLATOR CONNECTORIZED MODEL: KDCO615712-5

OPTIMIZED BANDWIDTH

6150 - 7120 MHz

PERFORMANCE PLOTS



VOLTAGE CONTROLLED OSCILLATOR CONNECTORIZED MODEL: KDCO615712-5

OPTIMIZED BANDWIDTH

6150 - 7120 MHz

PERFORMANCE PLOTS

