

Small Signal Product

Hermetically Sealed Glass Fast Switching Schottky Barrier Diodes

FEATURES

- Low forward voltage drop
- Ideal for automated placement
- Hermetically sealed glass
- Compression bonded construction
- All external surfaces are corrosion resistant and leads are readily solderable
- Solder hot dip tin (Sn) lead finish


MINI MELF

MECHANICAL DATA

- Polarity: Indicated by black cathode band

MAXIMUM RATINGS AND ELECTRICAL CHARACTERISTICS (T _A =25°C unless otherwise noted)			
PARAMETER	SYMBOL	VALUE	UNIT
Power Dissipation	P _D	200	mW
Repetitive Peak Reverse Voltage	V _{RRM}	30	V
Maximum DC Blocking Voltage	V _R	30	V
Average Forward Rectified Current	I _{F(AV)}	200	mA
Peak Forward Surge Current	I _{FSM}	4	A
Operating Junction Temperature	T _J	125	°C
Storage Temperature Range	T _{STG}	-65 to +125	°C

PARAMETER	SYMBOL	MIN	TYP	MAX	UNIT
Breakdown Voltage I _R =10μA	B _V	30			V
Reverse Leakage Current V _R =25V	I _R			2	μA
Forward Voltage I _F =0.1mA I _F =1.0mA I _F =10mA I _F =30mA I _F =100mA	V _F			0.24	V
				0.32	
				0.40	
				0.50	
				0.80	
Reverse Recovery Time (Note 1)	t _{rr}		5		ns
Junction Capacitance V _R =1V, f=1.0MHz	C _J			10	pF

 Note 1: Reverse recovery test conditions : I_F=I_R=10mA, R_L=100Ω, I_{RR}=1mA

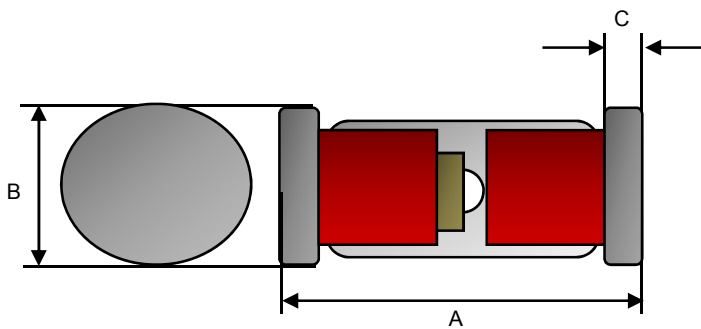
Small Signal Product

ORDERING INFORMATION					
PART NO.	PART NO. SUFFIX (Note 1)	PACKING CODE	PACKING CODE SUFFIX	PACKAGE	PACKING
BAS85	-xx	L0	G	MINI MELF	10K / 13" Reel
		L1			2.5K / 7" Reel

Note 1: Part No. Suffix „-xx “ would be used for special requirement

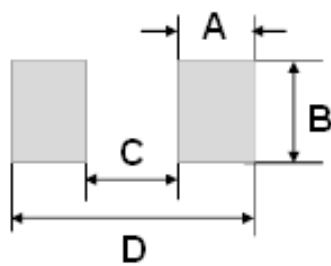
EXAMPLE					
PREFERRED P/N	PART NO.	PART NO. SUFFIX	PACKING CODE	PACKING CODE SUFFIX	DESCRIPTION
BAS85 L0G	BAS85		L0	G	Multiple manufacture source Halogen free
BAS85-L0 L0G	BAS85	-L0	L0	G	Define manufacture source Halogen free

PACKAGE OUTLINE DIMENSION



DIM.	Unit (mm)		Unit (inch)	
	Min	Max	Min	Max
A	3.30	3.70	0.130	0.146
B	1.40	1.60	0.055	0.063
C	0.20	0.50	0.008	0.020

SUGGEST PAD LAYOUT



DIM.	Unit (mm)	Unit (inch)
	Typ.	Typ.
A	1.25	0.049
B	2.00	0.079
C	2.50	0.098
D	5.00	0.197

Notice

Specifications of the products displayed herein are subject to change without notice. TSC or anyone on its behalf, assumes no responsibility or liability for any errors or inaccuracies.

Information contained herein is intended to provide a product description only. No license, express or implied, to any intellectual property rights is granted by this document. Except as provided in TSC's terms and conditions of sale for such products, TSC assumes no liability whatsoever, and disclaims any express or implied warranty, relating to sale and/or use of TSC products including liability or warranties relating to fitness for a particular purpose, merchantability, or infringement of any patent, copyright, or other intellectual property right.

The products shown herein are not designed for use in medical, life-saving, or life-sustaining applications. Customers using or selling these products for use in such applications do so at their own risk and agree to fully indemnify TSC for any damages resulting from such improper use or sale.