

Small Signal Product

200mW Surface Mount Schottky Barrier Diode

FEATURES

- Fast switching speed
- Low forward voltage drop
- Surface mount device type
- Moisture sensitivity level 1
- Matte Tin (Sn) lead finish with Nickel (Ni) underplate
- Pb free and RoHS compliant
- Packing code with suffix "G" means green compound (halogen free)



SOT-363



MECHANICAL DATA

- Case: SOT-363 small outline plastic package
- Terminal: Matte tin plated, lead free, solderable per MIL-STD-202, Method 208 guaranteed
- High temperature soldering guaranteed: 260°C/10s
- Polarity: Indicated by cathode band
- Weight: 6 mg (approximately)

MAXIMUM RATINGS AND ELECTRICAL CHARACTERISTICS (T _A =25°C unless otherwise noted)			
PARAMETER	SYMBOL	VALUE	UNIT
Peak Repetitive Peak Reverse Voltage	V _{RRM}	30	V
Working Peak Reverse Voltage	V _{RWM}		
DC Reverse Voltage	V _R		
Forward Continuous Current	I _F	200	mA
Repetitive Peak Forward Current	I _{FRM}	300	mA
Forward Surge Current @ t < 1.0 s	I _{FSM}	600	mA
Power Dissipation	P _D	200	mW
Thermal Resistance, Junction to Ambient Air	R _{θJA}	625	°C/W
Operating and Storage temperature	T _J , T _{STG}	-65 to +150	°C

PARAMETER	SYMBOL	MIN	MAX	UNIT	
Reverse Breakdown Voltage	V _(BR)	30	--	V	
Forward Voltage	V _F	I _F =100µA	--	0.24	V
		I _F =0.1mA	--	0.32	
		I _F =1mA	--	0.40	
		I _F =10mA	--	0.50	
		I _F =30mA	--	1.00	
Reverse Current	I _R	--	2.0	µA	
Total Capacitance	C _T	--	10	pF	
Reverse Recovery Time	t _{rr}	--	5.0	ns	

Small Signal Product

ORDERING INFORMATION				
PART NO.	PACKING CODE	PACKING CODE SUFFIX	PACKAGE	PACKING
BAT54xx-G (Note 1)	RF	G	SOT-363	3K / 7" Reel

Note 1: "xx" defines device code from "T" to "BR"

EXAMPLE				
PREFERRED P/N	PART NO.	PACKING CODE	PACKING CODE SUFFIX	DESCRIPTION
BAT54T-G RFG	BAT54T-G	RF	G	Green compound

RATINGS AND CHARACTERISTICS CURVES

($T_A=25^\circ\text{C}$ unless otherwise noted)

Fig. 1 Forward Characteristics

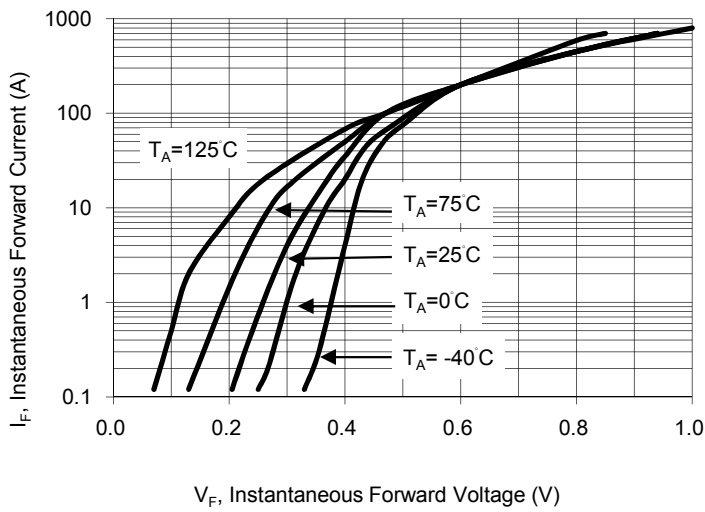


Fig. 2 Typical Reverse Characteristics

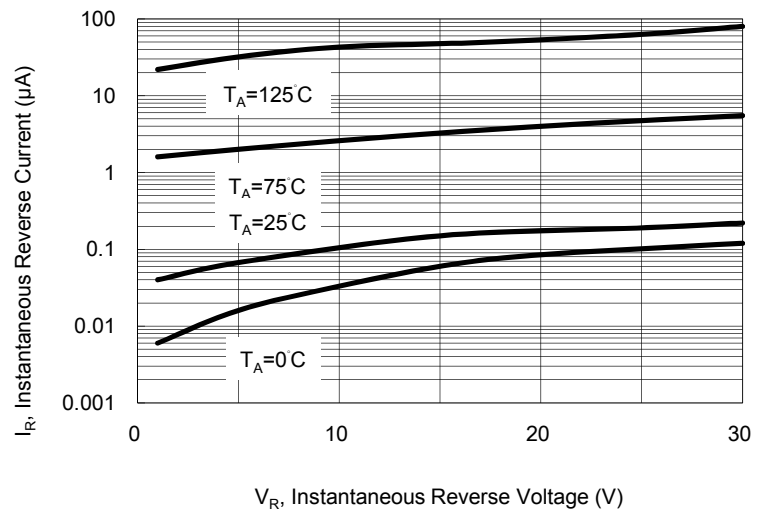


Fig. 3 Capacitance Between Terminals Characteristics

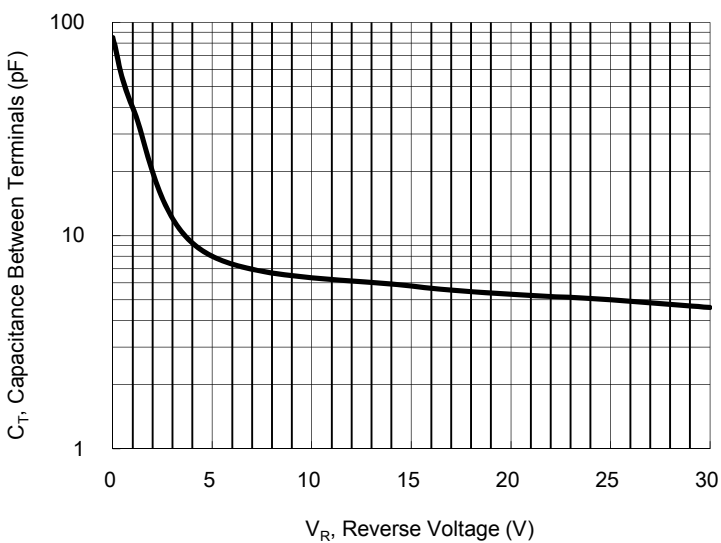
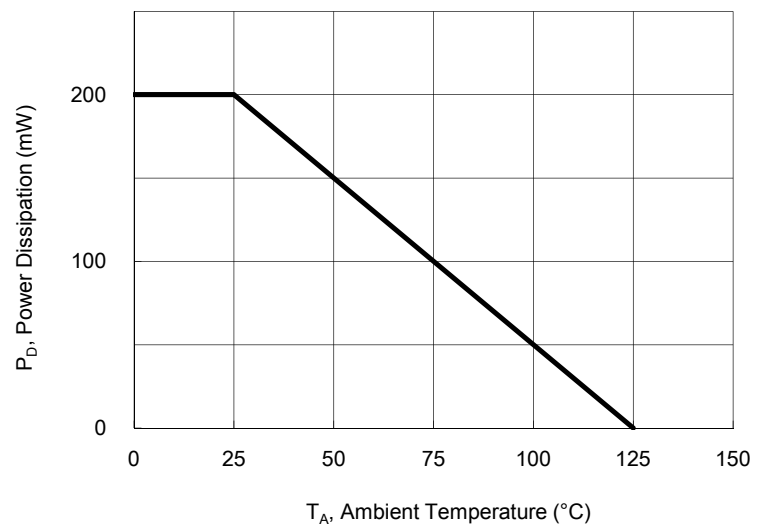
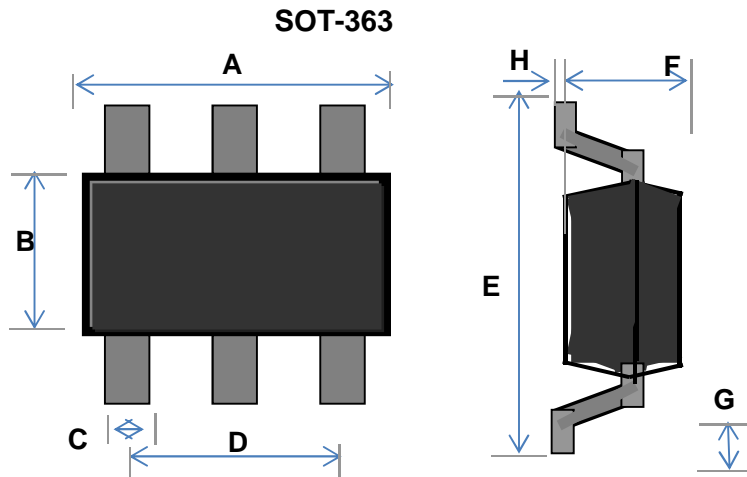


Fig. 4 Power Derating Curve



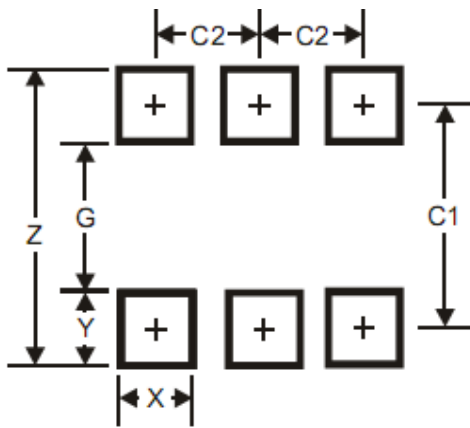
Small Signal Product

DIMENSIONS



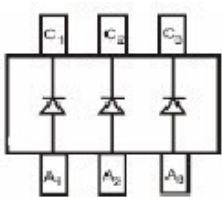
DIM.	Unit (mm)		Unit (inch)	
	Min	Max	Min	Max
A	2.00	2.20	0.079	0.087
B	1.15	1.35	0.045	0.053
C	0.10	0.35	0.004	0.014
D	1.20	1.40	0.047	0.055
E	2.15	2.45	0.085	0.096
F	0.85	1.05	0.033	0.041
G	0.25	0.46	0.010	0.018
H	0.00	0.10	0.000	0.004

SUGGESTED PAD LAYOUT

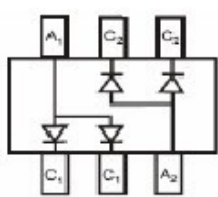


Dimensions	Value (in mm)
Z	2.50
G	1.30
X	0.42
Y	0.60
C1	1.90
C2	0.65

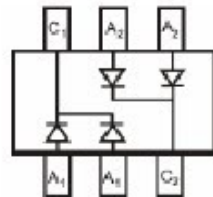
PIN CONFIGURATION



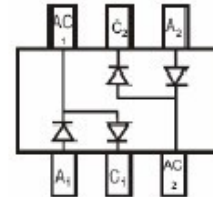
BAT54T



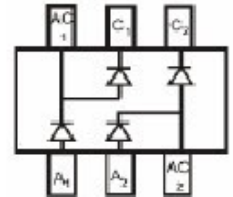
BAT54AD



BAT54CD



BAT54SD



BAT54BR

MARKING CODE

Part NO.	Marking
BAT54T-G	KLA
BAT54AD-G	KL6
BAT54CD-G	KL7
BAT54SD-G	KL8
BAT54BR-G	KLB

Small Signal Product

Notice

Specifications of the products displayed herein are subject to change without notice. TSC or anyone on its behalf, assumes no responsibility or liability for any errors or inaccuracies.

Information contained herein is intended to provide a product description only. No license, express or implied, to any intellectual property rights is granted by this document. Except as provided in TSC's terms and conditions of sale for such products, TSC assumes no liability whatsoever, and disclaims any express or implied warranty, relating to sale and/or use of TSC products including liability or warranties relating to fitness for a particular purpose, merchantability, or infringement of any patent, copyright, or other intellectual property right.

The products shown herein are not designed for use in medical, life-saving, or life-sustaining applications. Customers using or selling these products for use in such applications do so at their own risk and agree to fully indemnify TSC for any damages resulting from such improper use or sale.