



**TELEDYNE**  
**JUDSON TECHNOLOGIES**  
Everywhereyoulook™

# **Germanium Detectors and Position Sensors**

***Teledyne Judson Technologies LLC***

221 Commerce Drive  
Montgomeryville, PA 18936 USA

Tel: 215-368-6900

Fax: 215-362-6107

Visit us on the web.

[www.teledynejudson.com](http://www.teledynejudson.com)

# J16

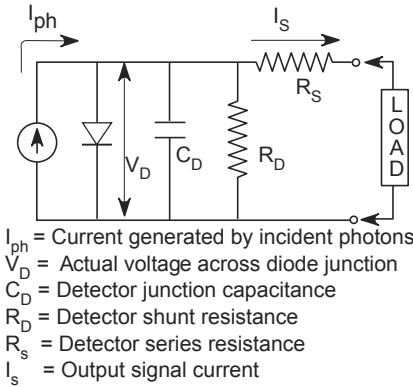
## Germanium Detector Operating Notes (0.8 to 1.8 μm)

### General

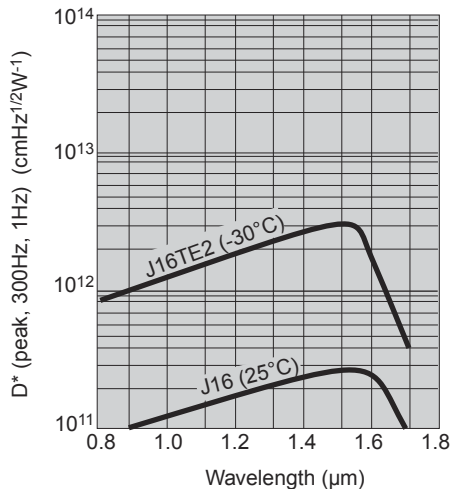
J16 Series detectors are high-quality Germanium photodiodes designed for the 800 to 1800 nm wavelength range.

Detailed specifications are available for J16 Series room temperature detectors, parallel output arrays, Avalanche photodiodes and "two color" detectors. For applications where temperature stability of response is important near the cutoff, thermoelectrically cooled detectors are available. Position sensitive detectors and quadrant detectors are also available.

**Figure 4-1**  
**Germanium Photodiode Equivalent Circuit**



**Figure 4-2**  
**Detectivity vs Wavelength for J16 Series Ge**



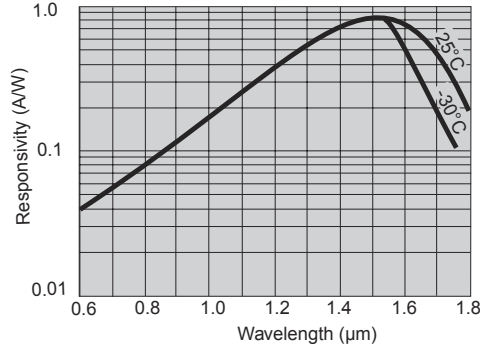
### Responsivity

A Ge photodiode generates a current across the p-n or p-i-n junction when photons of sufficient energy are absorbed within the active region. The responsivity (Amps/Watt) is a function of wavelength and detector temperature (Fig. 4-3).

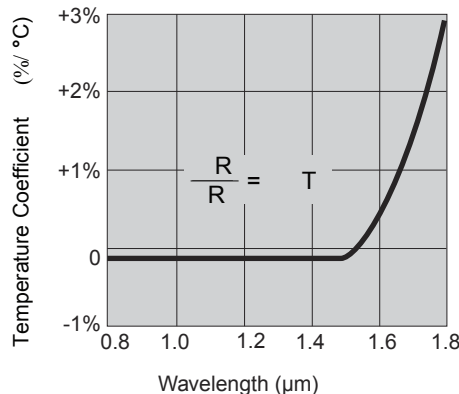
Temperature changes have little effect on the detector responsivity at wavelengths below the peak, but can be important at the longer wavelengths (Figs. 4-3 and 4-4). For example, at 1.2 μm the change in response of a room temperature detector is less than 0.1% per °C, while at 1.7 μm the change is approximately 1.5% per °C (Fig. 4-4).

Uniformity of response within the active region of a room-temperature Ge detector is typically better than ± 1% at 1300 nm. See Fig. 6-3.

**Figure 4-3**  
**Typical Responsivity for J16 Series Ge**



**Figure 4-4**  
**Temperature Coefficient of Responsivity at 25 °C**



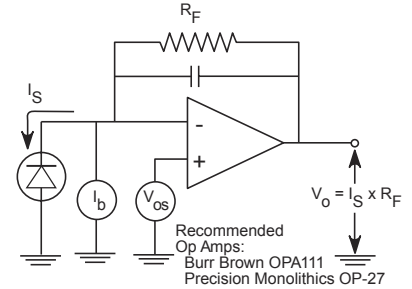
### Operating Circuit

The recommended operating circuit for most applications is an operational amplifier in a negative-feedback transimpedance configuration (Fig. 4-5). The feedback circuit converts the detector output current to a voltage, while the op-amp maintains the detector near zero-volt bias for lowest noise (see "Shunt Resistance and Dark Current").

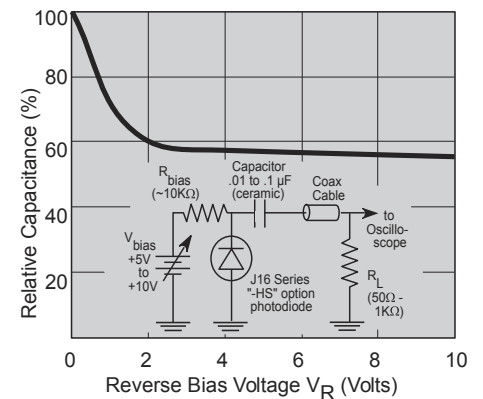
Selection of the proper op-amp is important, as the wrong choice can add excess preamp noise or limit system bandwidth. Teledyne Judson has a complete line of preamps designed to match each detector type and application. Preamp recommendations are included with the detector specifications.

For high frequency applications, the detector may be reverse biased and terminated into a low impedance load (Fig. 4-6). Reverse biasing the detector significantly reduces junction capacitance for faster pulse response; however, the dark currents and low-frequency noise are increased.

**Figure 4-5**  
**Basic Operating Circuit**



**Figure 4-6**  
**Capacitance vs Bias Voltage for High Speed**



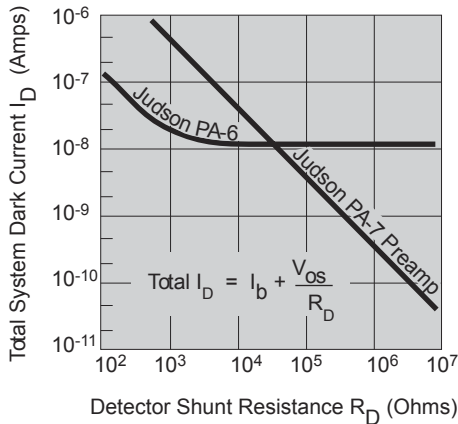
**Shunt Resistance and Dark Current**

When the detector is used in the basic circuit of Figure 4-5, an undesirable DC offset current, or "dark current," will be produced. It is a function of the preamp input bias current  $I_b$ , the preamp input offset voltage  $V_{os}$ , and the detector shunt resistance  $R_D$ . This total "dark current" is: Total  $I_D = I_b + (V_{os} / R_D)$

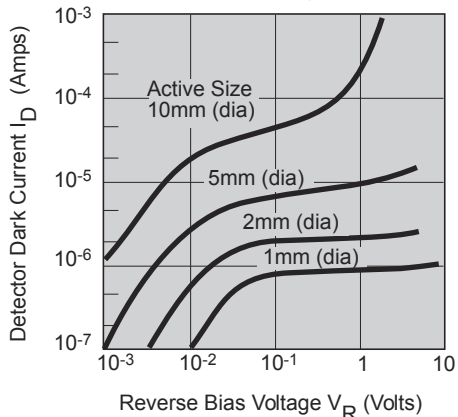
High shunt resistance detectors will result in lowest overall DC "dark current." Preamp selection is also important; for higher shunt impedance detectors, choose a preamp with low bias current; for lower shunt impedance detectors, choose a preamp with low offset voltage (Fig. 5-1).

When the detector is reverse biased and used in the high-speed circuit of Figure 4-6, the predominant dark current is a function of the applied bias voltage (Fig. 5-2).

**Figure 5-1**  
**Total Dark Current vs Detector Resistance**



**Figure 5-2**  
**Dark Current vs Reverse Bias Voltage**



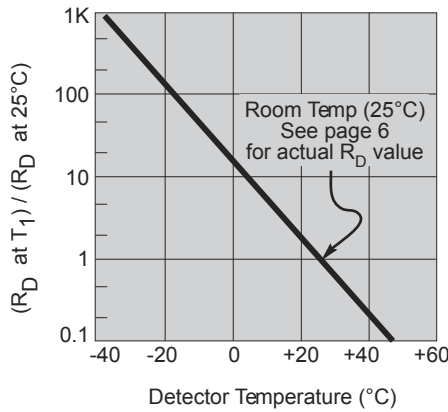
**Device Selection**

Two key factors to consider when selecting a Teledyne Judson Ge detector are: detector operating temperature and detector active area.

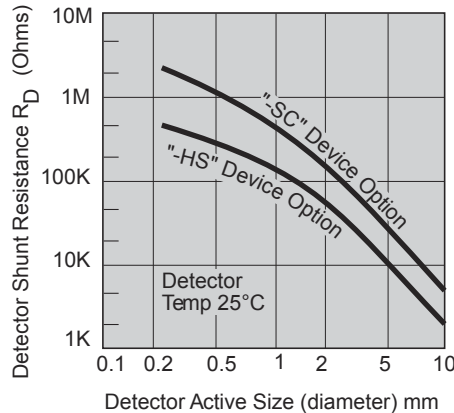
1. Detector Temperature: Cooling the detector reduces dark current and increases the shunt resistance  $R_D$  (Fig. 5-3). Shunt resistance data at 25°C is listed on the specification table on page 7. The data can be applied to Figure 5-3 to estimate  $R_D$  for detector temperatures from -40 to +60°C.

2. Active Area: Larger active areas have lower shunt resistance  $R_D$  (Fig. 5-4), and therefore higher dark currents. When low noise is critical, the smallest detector acceptable for the application should be selected. Focusing optics may be added for increased light collection.

**Figure 5-3**  
**Change in Shunt Resistance vs Temperature**



**Figure 5-4**  
**Shunt Resistance vs Size and Device Option**



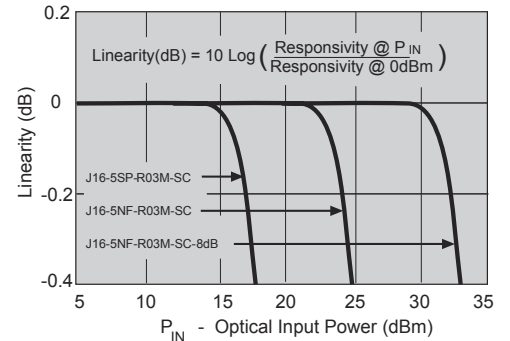
**Linearity**

Ge photodiode responsivity in A/W (current output per input optical power) is extremely linear with low input power levels. Response linearity is ultimately limited at high input power levels by photodiode series resistance,  $R_S$ , depicted in Figure 4-1. Large amounts of output signal current  $I_s$  can significantly forward bias the photodiode junction resulting in nonlinear output response.

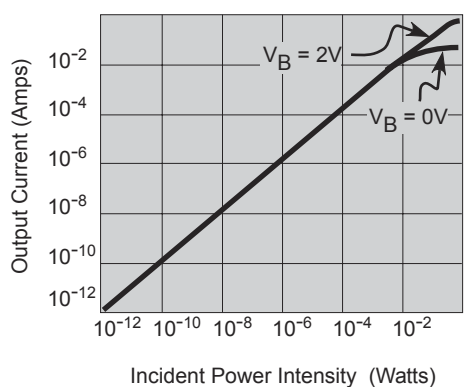
Response linearity to well within ±0.04dB (±1%) is maintained with input power levels up to 15dBm at 1550nm. Power levels in excess of 15dBm result in nonlinearities as depicted in Figure 5-5.

Both absorptive and reflective attenuation filters are available for increased high power linearity. Different levels of attenuation are available to meet any high power application.

**Figure 5-5**  
**Typical 1550nm High Power Linearity**



**Figure 5-6**  
**Linearity for J16 Series Ge**



# J16 Room Temperature Germanium Detectors (0.8 to 1.8 μm)

## General

J16 Series room temperature Germanium detectors are designed for operation under ambient conditions to +60°C.

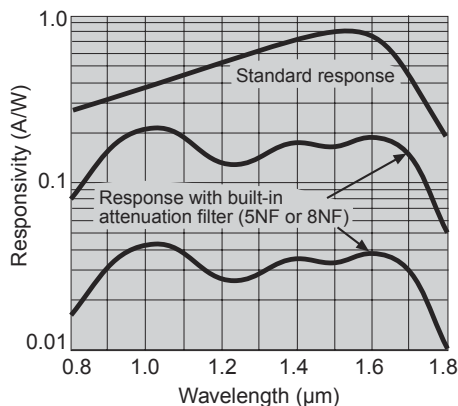
Teledyne Judson's Germanium photodiodes have high responsivity, good linearity, fast response times, uniform response and excellent long-term stability.

Please review the detailed operating information for assistance in selecting the proper detector for your application.

General Specifications all J16 Series Ge

Parameter	Min	Typ	Max	Units
Responsivity at 25°C				
(@ 1550nm)	.80	.90		A/W
(@ 1300nm)	.60	.65		A/W
(@ 850nm)	.20	.30		A/W
Uniformity of Response over Area (25°C)		±1		%
Storage Temperature	-55		+80	°C
Operating Temperature	-55		+60	°C

Figure 6-1 Spectral Response



## Responsivity Calibration

J16 Series Ge detectors are 100% tested for minimum responsivity at 1300nm. For an additional fee, Teledyne Judson will calibrate response vs. wavelength from 800 to 1800 nm (for detector size 2mm and larger only).

## Device Options

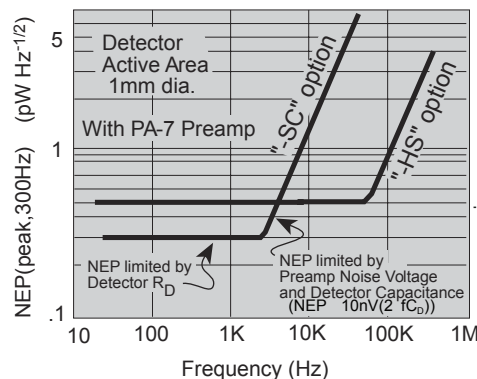
Teledyne Judson offers three unique Ge device options for optimum performance in different applications (Fig. 6-2).

The "-SC" device is a p-n diode, ideal for low frequency applications and DC coverage power meters. It offers the highest shunt resistance available in a Ge photodiode, resulting in the lowest DC drifts. However, its higher capacitance and low reverse bias limit make it less suitable for operation above ~1 KHz (depending on active size).

The "-HS" option has a p-i-n structure for extremely low capacitance and excellent speed of response, with RD and noise similar to the standard device. This option is ideal for pulsed laser diode monitoring and general use above ~10 KHz.

The standard device (no option) offers excellent performance for general use in applications from ~100Hz to 100KHz.

Figure 6-2 NEP vs Frequency for J16 Device Options



## Preamplifiers

Recommended preamps are the Teledyne Judson model PA-6 for detectors with R less than 50KΩ, and the PA-7 for detectors with R<sub>D</sub> greater than 50KΩ (Fig. 5-1). Preamps are sold separately. (NEP ≈ 10nV(2πfCD))

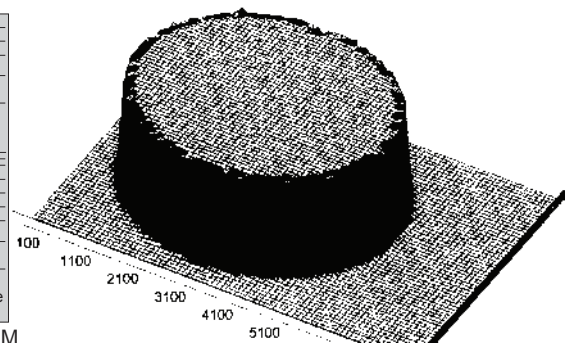
4



## Applications

- Optical Power Meters
- Fiber Testing
- Laser Diode Control
- Optical Communications
- Temperature Sensors

Figure 6-3 Uniformity of Response (5mm Active Area)

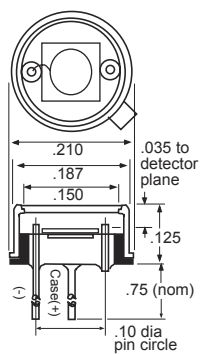


Exceptional response uniformity is realized over the entire active area of the J16 Series Ge detectors. Typical spot scan data, depicted in Figure 6-3, indicates 1300nm uniformity of response to within 1% over the entire active area.

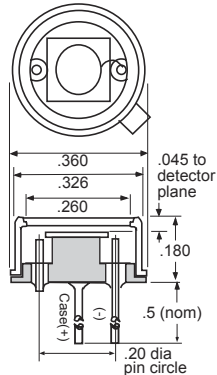
Model Number	Part No.	Active Size (dia.) (mm)	Shunt Resistance $R_D$ @ $V_R = 10\text{mV}$ (k )		Dark Current $I_D$ @ Maximum $V_R$ ( $\mu\text{A}$ )		Maximum Reverse Voltage $V_R$ (V)	Typical NEP @ $V_{\text{peak}}$ and 300Hz (pW/Hz <sup>1/2</sup> )	Capacitance $C_D$ @ $V_R = 0\text{V}$ (nF)	Cutoff Frequency @ Max. $V_R$ and $R_L = 50$ (MHz)	Other Options
			Min.	Typ.	Typ.	Max.					
<b>LOW CAPACITANCE OPTION ("HS")</b>											
J16-18A-R250U-HS	460004-1	0.25	400	600	0.1	3	10	0.15	0.02	400	LD, CO2, C11, 18D
J16-18A-R500U-HS	460003-3	0.5	200	300	0.3	5	10	0.2	0.03	250	
J16-18A-R01M-HS	460011-4	1.0	100	200	1	5	10	0.3	0.15	50	
J16-5SP-R02M-HS	460006-4	2.0	25	50	4	10	5	0.6	0.6	12	5NF, LD,
J16-5SP-R03M-HS	460019-3	3.0	15	30	7	20	5	0.8	1	8	8SP, 8NF, C11
J16-8SP-R05M-HS	460008-5	5.0	10	15	10	40	5	1	3	2.5	8NF, P2, C12
J16-P1-R10M-HS	460062-3	10.0	1	2	100	400	2	4	12	0.6	P2
<b>HIGH SHUNT RESISTANCE OPTION ("SC")</b>											
J16-18A-R250U-SC	460004-2	0.25	1400	2400	0.025	0.05	0.25	0.1	0.14	40	LD, CO2, C11, 18D
J16-18A-R500U-SC	460003-2	0.5	700	1200	0.05	0.1	0.25	0.1	0.5	10	
J16-18A-R01M-SC	460011-1	1.0	250	350	0.1	0.2	0.25	0.2	2	2	
J16-5SP-R02M-SC	460006-3	2.0	80	120	0.2	1	0.25	0.4	8	0.5	5NF, LD,
J16-5SP-R03M-SC	460019-1	3.0	35	60	0.5	5	0.25	0.6	14	0.2	8SP, 8NF, C11
J16-8SP-R05M-SC	460008-1	5.0	14	20	1.5	10	0.25	1	36	0.1	8NF, P2, C12
J16-P1-R10M-SC	460062-2	10.0	3	5	25	50	0.25	2	120	0.03	P2
J16-P1-R13M-SC	460023-1	13.0	1.5	2.5	50	100	0.25	3	200	0.02	
<b>STANDARD</b>											
J16-18A-R01M	460011	1.0	100	200	1	5	5	0.3	1	15	LD, CO2, C11, 18D
J16-5SP-R02M	460006	2.0	25	50	4	10	5	0.6	4	4	5NF, LD,
J16-5SP-R03M	460019	3.0	15	30	7	30	5	0.8	7	2	8SP, 8NF, C11
J16-8SP-R05M	460008	5.0	10	15	15	50	5	1.4	18	0.8	8NF, P2, C12
J16-P1-R10M	460052	10.0	1	2	100	400	2	3.0	60	0.1	P2
J16-P1-R13M	460023	13.0	0.5	1	250	800	2	4.5	100	0.07	

Detector (+): Anode    Detector (-): Cathode    Note: Standard packages have clear glass windows. AR-coated glass windows are available upon request.

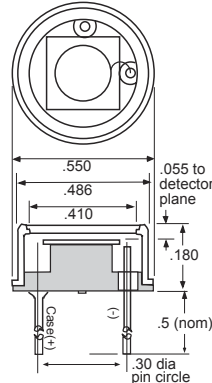
● **18A**



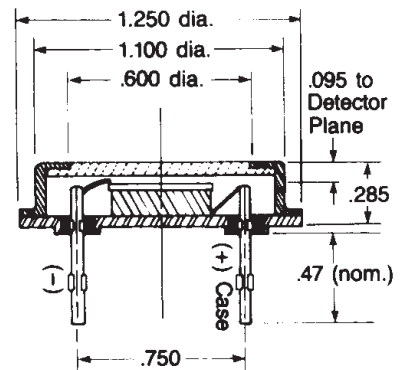
● **5SP**



● **8SP**



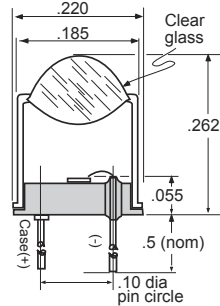
● **P1**



## Optional Packages

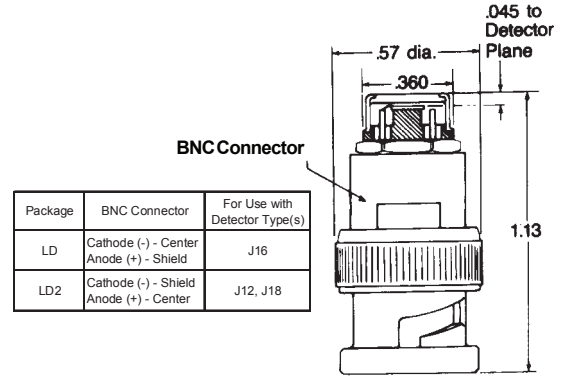
This page features the optional packages available for Teledyne Judson's room temperature devices.

### ● 18D

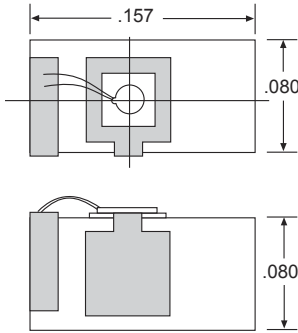


The 18D package gives an optical gain of 3 times responsivity.

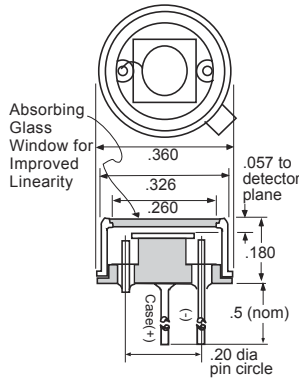
### ● LD, LD2



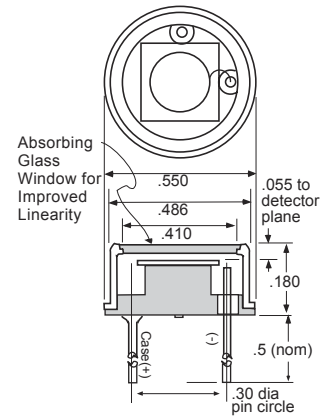
### ● C02



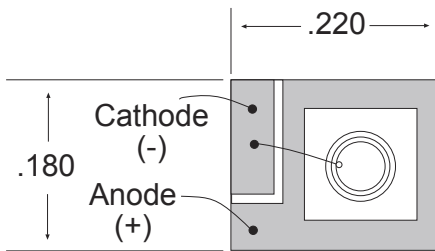
### ● 5NF



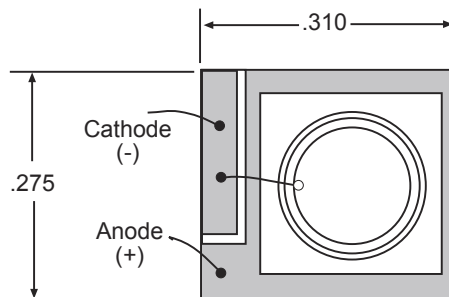
### ● 8NF



### ● C11

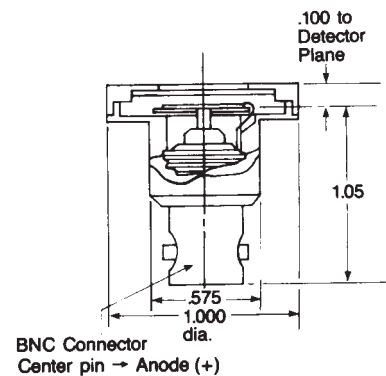


### ● C12



Note: .010 thick ceramic substrate used for both C11 and C12.

### ● P2





## Description

Standard packaging and element configurations result in low cost and quick delivery for Teledyne Judson's high-quality photodiode arrays.

The 4, 16 and 32 element arrays respond to infrared radiation from 500nm to 5.0 $\mu\text{m}$  depending on material type. The photodiode arrays come mounted in a dual inline package with or without a thermoelectric cooler or in a TO-66 package with three stage thermoelectric cooling where higher cooling performance is needed for thermal imaging applications.

Teledyne Judson's NIR arrays have a parallel output format with common substrate and one pinout for each element. This format allows for independent readings from each channel.

A separate transimpedance op-amp circuit is recommended for each channel.

The Teledyne Judson Model PA-7:4C, PA-7:16C and PA-7:32C preamps are convenient 4, 16 and 32 channel modules with receptacles for the array package.

Transimpedance gain is specified by the user. Heat sink modules are available for detector arrays with thermoelectric cooler

## Applications

- Clinical Analyzers
- Near-IR Spectroscopy for Analysis of:
  - Protein
  - Blood Samples
  - Agricultural Products
- Fiber Optics:
  - Far-Field Laser Diode Pattern Analysis
  - Infrared Fiber Testing

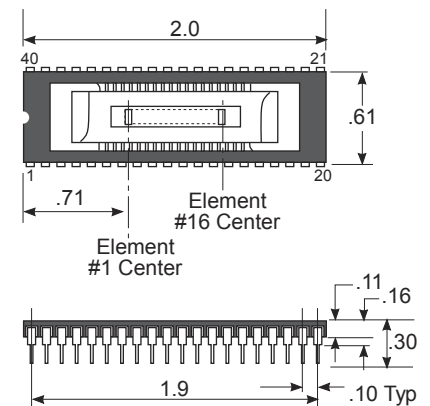


## Package

J16P Series arrays are mounted in the Teledyne Judson "40P" package, a 40 pin, dual-in-line package with glass window (Fig. 9-1). Pins 1 and 21 are connected to the common substrate. Elements of the 16-element array are connected to pins 23-38. The 32-element array is mounted with odd-numbered elements connected to pins 3-18 and even-numbered elements connected to pins 23-38.

The gap between elements is 0.01mm.

**Figure 9-1**  
**J16P-40P-S01M:16E**



## Typical Specifications Near IR Series Arrays

Model Number	Part No.	Wavelength Region ( $\mu\text{m}$ )	Operating Temp.	No. of Elements	Element Size w x h (mm)	Element Center to Center Spacing	Responsivity @ Peak (A/W)	NEP @ Peak (W/Hz <sup>1/2</sup> )	Minimum Shunt Impedance	Maximum Reverse Bias (V)	Capacitance @ 0V Bias (nF)
J16P-40P-S01M:16E-SC	460061	0.6-1.8	295	16	1x1	1	0.8	6.1261E-12	2.00E+05	0.25	2
J16P-40P-500UX1M:32E-SC	460143	0.6-1.8	295	32	0.5x1.0	0.5	0.9	3.8505E-12	4.00E+05	0.25	1.3

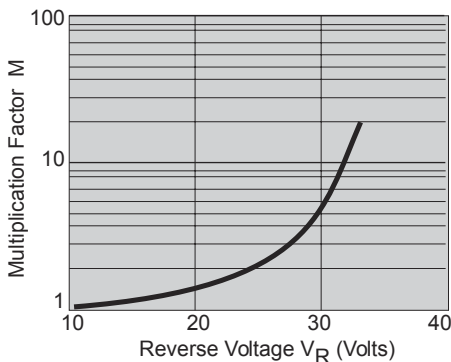
## Description

The J16A series Germanium Avalanche Photodiodes are designed for high-speed applications at 800 and 1300 nm. Teledyne Judson APDs offer low dark currents and bandwidths up to 1.5 GHz with active sizes of 100  $\mu\text{m}$  and 300  $\mu\text{m}$  diameter. The J16A Series APDs have undergone extensive reliability testing. Reliability has been demonstrated to be better than 10 FITs corresponding to less than 1% failure rate over 20 years service. Reliability data available upon request.

## Applications

- Local Area Networks
- OTDRs
- Transmission Systems

**Figure 10-1**  
Multiplication Characteristics



## Multiplication Characteristics

An internal gain mechanism makes the J16A the solid state counterpart of the photomultiplier tube. This internal gain is known as the Multiplication Factor (M) and is a function of the reverse bias voltage  $V_R$  applied to the diode (Fig. 10-1).

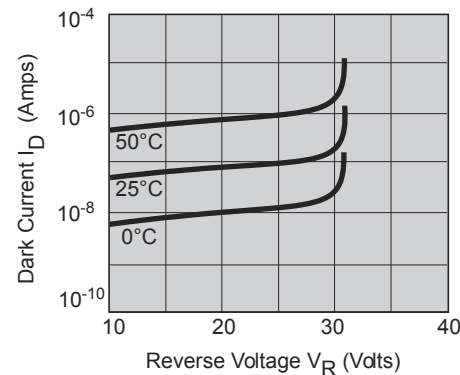
## Breakdown Voltage and Dark Current

The avalanche breakdown voltage  $V_B$  is the reverse bias voltage at which the diode's dark current becomes infinite. In practice, the dark current used to define breakdown voltage is 100  $\mu\text{A}$  (Fig. 10-3).

## Cutoff Frequency

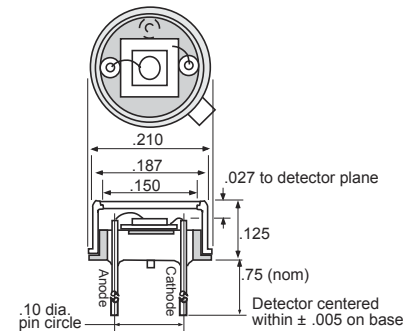
The cutoff frequency  $f_c$  is the frequency at which the output signal power is down

**Figure 10-3**  
Dark Current and Reverse Voltage

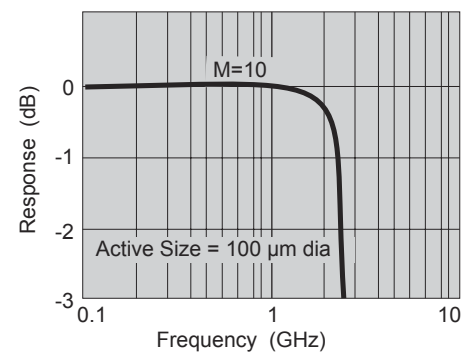


by 3dB. In the high multiplication region, the product of M and bandwidth becomes a constant, called the gain-bandwidth product, and cutoff frequency decreases with increasing M (Fig. 10-4).

**Figure 10-2**  
J16A-18A Package



**Figure 10-4**  
Frequency Response



Parameter	Test Conditions	J16A-18A-R100U Active Size 100 $\mu\text{m}$ dia.			J16A-18A-R300U Active Size 300 $\mu\text{m}$ dia.			Units
		Min.	Typ.	Max.	Min.	Typ.	Max.	
Quantum Efficiency	= 1300nm	60	70	--	60	70	--	%
Responsivity	R M = 1	0.63	0.73	--	0.63	0.73	--	A/W
Breakdown Voltage	$V_B$ $I_D = 100\mu\text{A}$	20	25	40	20	25	40	V
Temp Coefficient of $V_B$		0.1	--	--	0.1	--	--	%/°C
Dark Current	$I_D$ $V_R = 0.9 V_B$	--	0.3	0.5	--	1.4	3	$\mu\text{A}$
Multiplied Dark Current	$I_{DM}$ M = 1	--	100	150	--	300	400	nA
Cutoff Frequency (-3dB)	$f_c$ = 1300nm, M = 10, RL = 50	1000	1500	--	300	500	--	MHz
Excess Noise Factor	F = 300nm, f = 30MHz	--	9	--	--	9	--	--
Excess Noise Figure	x BW = 1MHz, M = 10, $I_{ph} = 2\mu\text{A}$	--	0.95	--	--	0.95	--	--
Capacitance	C f = 1MHz, M = 10	--	1.5	2	--	8	10	pF
Forward Current	$I_f$ Maximum Rating			100			100	mA
Reverse Current	$I_R$ Maximum Rating			1			3	mA



## Description

The J16A-FC1-R30U and J16-FC1-R50U are Germanium Avalanche Photodiodes (APDs) with singlemode fiber pigtailed designed for use in optical transmission systems operating at high-bit-rates and over long distances. The J16A-CO3-R30U and J16A-CO3-R50U packages are small alumina chip carriers designed for low parasitic capacitance and ease of installation onto a hybrid circuit. The 30μm and 50μm photosensitive diameters are optimized to achieve both higher coupling efficiency with singlemode fiber and higher electrical performances (low dark current, low capacitance and wide bandwidth) at the same time. The APD chip uses planar, fully implanted structure yielding low dark current and high reliability. A laser welding assembly process assures long term stability of fiber coupling and a -40°C to +85°C operating temperature range.

## Features

- Meets extended environmental conditions
- JT package with 125μm cladding / 9μm core singlemode fiber coupled to 30μm and 50μm diameter Ge APD
- Storage and operating temperature: -40°C to +85°C
- High quantum efficiency: 80% @ 1300nm
- Cutoff frequency: 4.0 GHz
- Low dark currents: 100nA
- Low multiplied dark current: 5nA

## Applications

- High-bit-rate optical transmission systems
- Optical Time Diode Reflectometer (OTDR)

## Absolute Maximum Ratings (Tc = 25C)

Parameter	Symbol	Ratings		Ratings		Unit
		J16A-CO3-R30U	J16A-FC1-R30U	J16A-CO3-R50U	J16A-FC1-R50U	
Storage Temperature	Tstg	-40°C to +85°C		-40°C to +85°C		C
Operating Case Temperature	Top	-40°C to +85°C		-40°C to +85°C		C
Forward Current	If	20		50		mA
Reverse Current	Ir	500		500		μA

## 30 Micron Optical and Electrical Characteristics (Tc = 25C)

Parameter	Symbol	Test Conditions	J16A-C03-R30U			J16A-FC1-R30U			Units
			Min.	Typ.	Max.	Min.	Typ.	Max.	
Quantum Efficiency/(Responsivity)		M = 1 1060nm	70/(0.60)	80/(0.68)	---	70/(0.60)	75/(0.68)	---	%/(A/W)
		1300nm	70/(0.73)	85/(0.88)	---	70/(0.73)	80/(0.83)	---	
		1550nm	50/(0.62)	60/(0.74)	---	50/(0.62)	60/(0.74)	---	
Breakdown Voltage	Vb	Id = 100µm	25	30	40	25	30	40	V
Temperature Coefficient			---	0.1	---	---	0.1	---	%/C
Dark Current	Id	Vr = 0.9Vb	---	100	200	---	1000	200	nA
		Vr = 10V	---	30	100	---	30	100	nA
Unmultiplied Dark Current	Ipo	M = 1	---	5	10	---	5	10	nA
Cutoff Frequency	fc	M=10 1300nm Ipo=0.1µA	3000	4000	---	3000	4000	---	MHz
Excess Noise Factor	F	f = 1KHz	---	7	---	---	7	---	---
	x	M=10 1300nm Ipo=0.1µA	---	0.85	---	---	0.85	---	---
Capacitance	C	Vr = 20V f = 1MHz	---	0.6	---	---	1.0	---	pF

## 50 Micron Optical and Electrical Characteristics (Tc = 25C)

Parameter	Symbol	Test Conditions	J16A-C03-R50U			J16A-FC1-R50U			Units
			Min.	Typ.	Max.	Min.	Typ.	Max.	
Quantum Efficiency/(Responsivity)		M = 1 1060nm	70/(0.60)	80/(0.68)	---	70/(0.60)	75/(0.68)	---	%/(A/W)
		1300nm	70/(0.73)	85/(0.88)	---	70/(0.73)	80/(0.83)	---	
		1550nm	50/(0.62)	60/(0.74)	---	50/(0.62)	60/(0.74)	---	
Breakdown Voltage	Vb	Id = 100µm	25	30	40	25	30	40	V
Temperature Coefficient			---	0.1	---	---	0.1	---	%/C
Dark Current	Id	Vr = 0.9Vb	---	150	300	---	150	300	nA
		Vr = 10V	---	40	100	---	40	100	nA
Unmultiplied Dark Current	Ipo	M = 1	---	10	20	---	10	20	nA
Cutoff Frequency	fc	M=10 1300nm Ipo=0.1µA	2000	3000	---	2000	3000	---	MHz
Excess Noise Factor	F	f = 1KHz	---	7	---	---	7	---	---
	x	M=10 1300nm Ipo=0.1µA	---	0.85	---	---	0.85	---	---
Capacitance	C	Vr = 20V f = 1MHz	---	1.0	---	---	1.2	---	pF

# J16Si Dual Wavelength "Sandwich" Detectors (0.6 to 1.8 μm)

## Description

Two color detectors consist of a high performance Silicon detector mounted in a "sandwich" configuration over another detector.

The Silicon photodiode responds to radiation from 400 nm to 1000 nm. Longer wavelengths pass through the silicon and are detected by the detector underneath.

J16Si Series detectors are ideal for optic power measurements that need to differentiate between 800nm and either 1300nm or 1550nm. They are also useful for two-color temperature measurements (see chart). The J14Si Series is used when the temperature measurement range needs to be expanded.



## Applications

- Dual-Wavelength Power Meters
- Wavelength Demultiplexers
- Pyrometers

Figure 11-2 Dual-Wavelength Power Meter Application

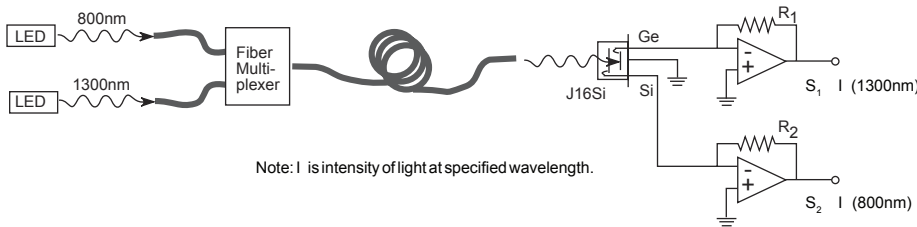


Figure 11-4 Two-color Temperature Sensor Application

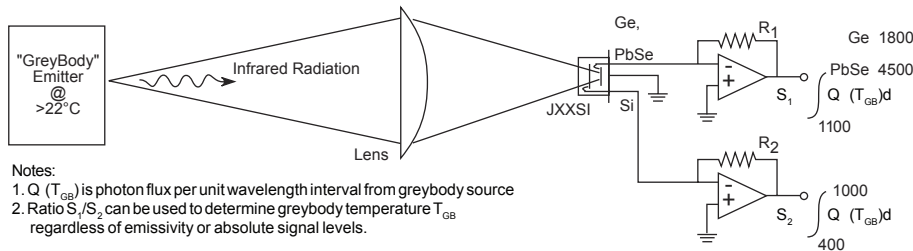


Figure 11-1  
 Typical Responsivity for J16Si Series

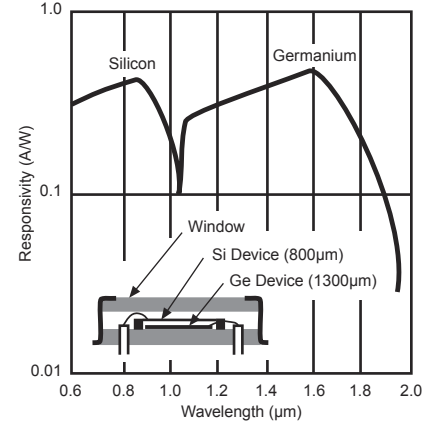


Figure 11-3  
 5A4 Package

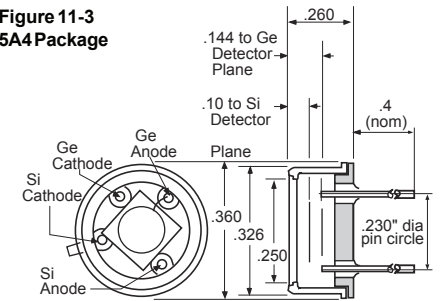
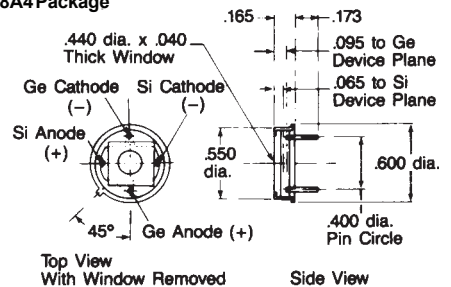


Figure 11-5  
 8A4 Package



## Typical Specifications Bicolor Series Detectors @ 22°C

Model Number	Part Number	Operating Temp.	Active Size (mm)	Element	Wavelength Range (μm)	Responsivity	Typical Shunt Resistance RD @VR=10mV (ohms)	Typical NEP @ Ipeak and 300 Hz (W/Hz <sup>1/2</sup> )	Package
J16Si-5A4-R02M-SC	460066-1	22C	3.5 2.0	Si Ge	400-1000 1100-1800	0.45 A/W@800nm 0.65 A/W@1300nm	50M 120K	4.0E-14 6.0E-13	5A4
J16Si-8A4-R03M-SC	460063-1	22C	5.0 3.0	Si Ge	400-1000 1100-1800	0.45 A/W@800nm 0.65 A/W@1300nm	50M 60K	4.0E-14 8.0E-13	8A4
J16Si-8A4-R05M-SC	460129	22C	5.0 5.0	Si Ge	400-1000 1100-1800	0.45 A/W@800nm 0.65 A/W@1300nm	50M 20K	4.0E-14 1.4E-12	8A4
J14Si-5S4-S03M	1500605	22C	3.5 3.0	Si PbSe	400-1000 1100-4000	0.45 A/W@800nm 2500V/W @4000nm	50M 0.1 to 2.0M	4.0E-14 1.5E-10	5S4
J14SITE2-8S16-S01M	1500618	-40C	3.5 1.0	Si PbSe	400-1000 1100-5000	0.45 A/W@800nm 9000V/W @4500nm	50M 0.4 to 10.0M	4.0E-14 3.0E-11	8S16

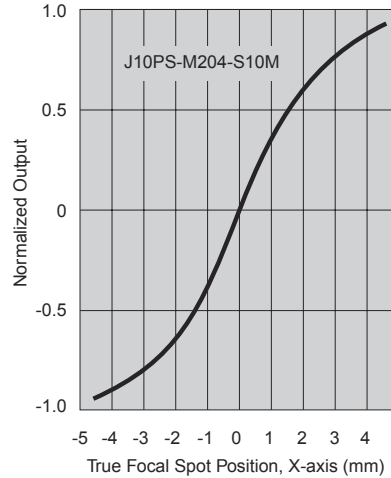
Detector	Target Temp. Range	Storage Temp.		Operating Temp.	
		Min.	Max.	Min.	Max.
J16Si	500C - 200C	-55C	+80C	-55C	+60C
J14Si	22C - 2000C				

## J16PS

### Position Sensors

A Ge position sensor consists of a single element photodiode with a quadrupole electrode geometry. These devices can provide linear X-Y beam position information for lasers and other infrared beams. Positioning information is determined as shown in Fig. 35-1. The PA6:4C preamplifier is recommended for Teledyne Judson position sensitive detectors.

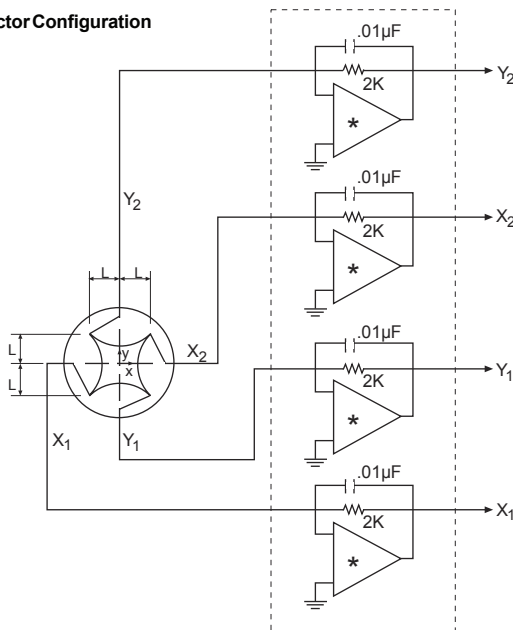
**Figure 35-2**  
Example of Position Linearity



### † Typical Specifications Linear Position Sensors

Model Number	Part Number	Detector Type	Wavelength Range ( $\mu\text{m}$ )	Active Size "2L" (mm)	Linear Position Zone (Dia.) (mm)	Typical Position Resolution ( $\mu\text{m}$ )	Typical Interelectrode Resistance ( $\Omega$ )	Peak Responsivity	Detector Temperature	Package Type
J16PS-P6-S10M-HS	460284	Ge	0.8-1.8	10 x 10	6	5	~ 100	0.6	22°C	TO3
J16PS-8E6-S05M-HS	460743	Ge	0.8-1.8	5 x 5	3	5	~ 100	0.6	22°C	TO8

**Figure 35-1**  
Position Sensor Detector Configuration



### Device Options

Teledyne Judson's unique "-HS" option Ge position sensing device has a p-i-n structure for extremely low capacitance and excellent speed of response, with  $R_D$  and noise similar to the standard device. This option is ideal for pulsed laser diode monitoring and general use above ~10 KHz.

$$\frac{x}{L} = \frac{(X_2 + Y_1) - (X_1 + Y_2)}{X_1 + X_2 + Y_1 + Y_2}$$

$$\frac{y}{L} = \frac{(X_2 + Y_2) - (X_1 + Y_1)}{X_1 + X_2 + Y_1 + Y_2}$$

## ■ J16QUAD

### Quadrant Detectors

A Ge quadrant detector consists of four separate detector elements arranged in a quadrant geometry with element separations as noted in the table below. The PA7:4 preamplifier is available for J16Quad detectors.



### Device Options

Teledyne Judson offers three unique Ge device options for optimum performance in different applications (Fig. 6-2). The "-SC" device is a p-n diode, ideal for low frequency applications and DC average power meters. It offers the highest shunt resistance available in a Ge photodiode, resulting in the lowest DC drifts. However, its higher capacitance and low reverse bias limit make it less suitable for operation above ~1 KHz (depending on active size).

The "-HS" option has a p-i-n structure for extremely low capacitance and excellent speed of response, with  $R_D$  and noise similar to the standard device. This option is ideal for pulsed laser diode monitoring and general use above ~10 KHz.

The standard device (no option) offers excellent performance for general use in applications from ~100Hz to 100KHz.

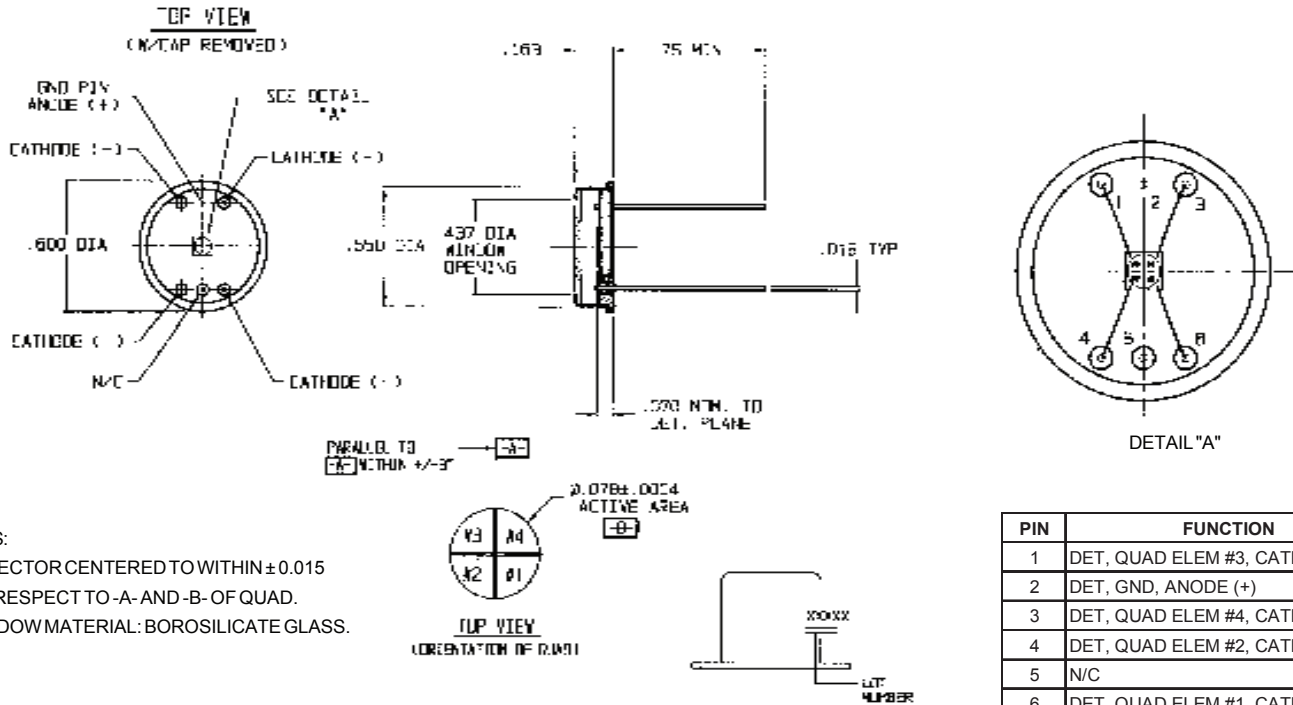
Typical Specifications **Quadrant Detectors**

Model Number	Total Active Size (dia.) (mm)	Shunt Resistance $R_D$ @ $V_R = 10\text{mV}$ (K )		Dark Current $I_D$ @ Maximum $V_R$ ( $\mu\text{A}$ )		Maximum Reverse Voltage $V_R$ (V)	Typical NEP @ peak and 300Hz (pW/Hz <sup>1/2</sup> )	Capacitance $C_D$ @ $V_R = 0\text{V}$ (nF)	Cutoff Frequency @ Max. $V_R$ and $R_L = 50$ (MHz)	Gap Between Quadrants
		Min.	Typ.	Typ.	Max.					
<b>LOW CAPACITANCE OPTION ("HS")</b>										
J16QUAD-8D6-R02M-HS	2.0	100	200	1	5	10	0.3	0.15	50	15 $\mu\text{m}$
J16QUAD-8D6-R05M-HS	5.0	20	40	5	15	5	0.8	1	8	20 $\mu\text{m}$
<b>HIGH SHUNT RESISTANCE OPTION ("SC")</b>										
J16QUAD-8D6-R02M-SC	2.0	250	350	0.1	0.2	0.25	0.2	2	2	15 $\mu\text{m}$
J16QUAD-8D6-R05M-SC	5.0	55	90	0.35	3	0.25	0.6	14	0.2	20 $\mu\text{m}$
<b>STANDARD</b>										
J16QUAD-8D6-R02M	2.0	100	200	1	5	5	0.3	1	15	15 $\mu\text{m}$
J16QUAD-8D6-R05M	5.0	25	50	4	10	5	0.6	4	4	20 $\mu\text{m}$

See page 14 for device configurations.

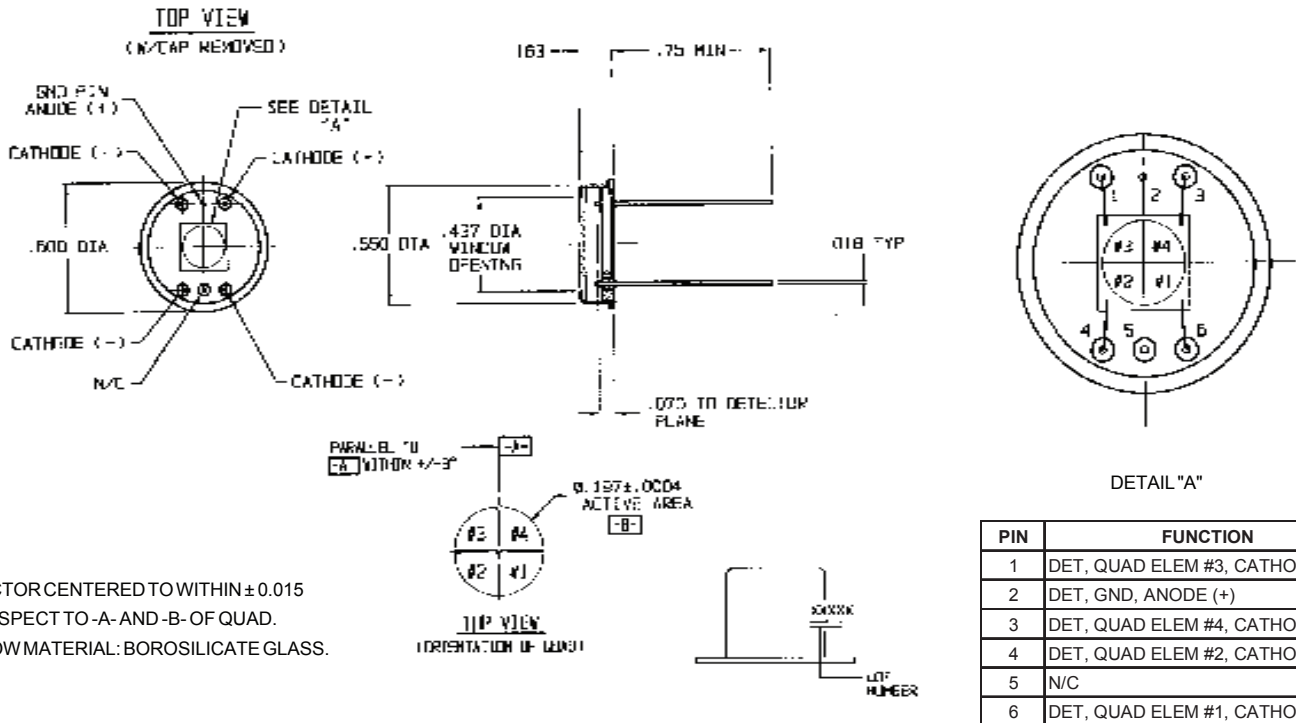
# J16PS Room Temperature Germanium Quadrant Arrays

## J16QUAD-8D6-R02M



- NOTES:
1. DETECTOR CENTERED TO WITHIN  $\pm 0.015$  WITH RESPECT TO A-A AND B-B OF QUAD.
  2. WINDOW MATERIAL: BOROSILICATE GLASS.

## J16QUAD-8D6-R05M



- NOTES:
1. DETECTOR CENTERED TO WITHIN  $\pm 0.015$  WITH RESPECT TO A-A AND B-B OF QUAD.
  2. WINDOW MATERIAL: BOROSILICATE GLASS.

# J16D Nitrogen Cooled Germanium Detectors

## General

The J16D Series Ge detectors offer the ultimate sensitivity for 800 to 1400nm detection. Cooling the Ge photodiode to 77°K results in extremely high shunt impedance for Noise Equivalent Power (NEP) typically below 0.01 pW/Hz<sup>1/2</sup>.

## Applications

- Fiber Testing
- NIR Spectroscopy

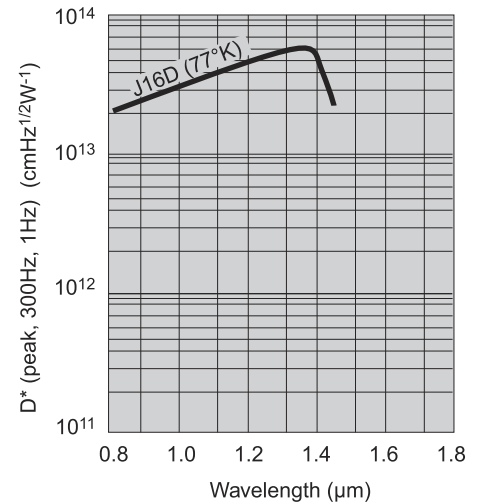
## Dewar Packages

J16D detectors are packaged in glass or metal dewars with sapphire windows. J16D detectors have extremely high shunt impedance  $R_D$  and therefore very low intrinsic noise. When used in environments where vibration is present, the microphonic noise from the dewar leads may dominate the detector noise. Under these conditions, a glass dewar is recommended, as the leads are imbedded in the glass and immune to vibrations. Care must be taken with external connections to avoid noise from vibrations outside the dewar. Metal dewars are suitable for other applications and can be periodically re-evacuated.

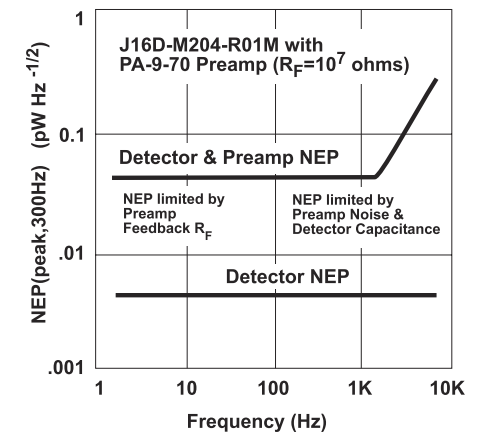
## Preamplifiers and System Noise

Optimum J16D detector performance is achieved with Teledyne Judson transimpedance gain preamplifiers. The PA-9 or PA-7 preamplifier converts the detector output current to a voltage, while maintaining the detector at the optimum zero volt bias. The PA-9 fixed-gain preamp is specifically matched to each detector to provide maximum sensitivity, gain and bandwidth. The PA-7 preamp offers adjustable gain and is suitable for DC and low-frequency applications. At high frequencies, the detector capacitance and preamp voltage noise contribute significantly to the system noise.

J16D Detectivity vs Wavelength



J16D Noise Equivalent Power vs Frequency



Typical Specifications J16D Series Ge @ 77°K

Model Number	Active Size (dia.) (mm)	Responsivity @ 1300nm (A/W)	Shunt Resistance $R_D$ @ $V_R = 10mV$ (ohms)		Typical NEP @ peak and 300Hz (pW/Hz <sup>1/2</sup> )	Capacitance $C_D$ @ $V_R = 0V$ (nF)	Maximum Reverse Voltage ( $V_R$ ) (V)	Packages	
			Min.	Typ.				Standard	Options
J16D-M204-R01M	1	0.5	1G	10G	.004	0.15	10	M204	Dewars
J16D-M204-R05M	5	0.5	1G	10G	.004	3	5	M204	Dewars

# J16TE Thermoelectrically Cooled Germanium Detectors

## General

J16TE Series detectors are Teledyne Judson's high-quality Ge photodiodes mounted on thermoelectric coolers for reduced dark current, improved sensitivity and superior stability.

The TE coolers require less than 3W of DC power. The built-in thermistor can be used to monitor or control the detector temperature.

J16TE Series detectors are mounted in TO-style packages which are filled with dry nitrogen and hermetically sealed.

## J16TE1 Series

### 1-Stage Thermoelectrically Cooled Ge

J16TE1 Series detectors are Teledyne Judson's large-area Germanium detectors packaged on one-stage thermoelectric coolers. Active diameters of 10 and 13mm allow maximum light collection. The low-cost cooler can be used at -10°C for reduced dark currents or at higher temperatures for improved stability of response in elevated or variable ambient temperatures

## J16TE2 Series

### 2-Stage Thermoelectrically Cooled Ge

J16TE2 Series detectors are Ge photodiodes on high-performance two-stage coolers. DC offset current and dark current are significantly reduced at the -30°C operating temperature (Figs. 11-4 and 11-5).

These low offsets and dark currents make J16TE2 Series detectors ideal for ultrasensitive fiber optic power meters. They offer accurate measurements of optical power levels as low as -80dBm (10pW) in the DC mode and -90dBm (1pW) with an optical chopper and lock-in amplifier.

### Thermoelectric Cooler Operation

Figures 11-7 and 11-8 show typical TE1 and TE2 cooler power requirements. A simple convection heat sink is required for maximum cooling.

Figure 11-9 shows the effect of heat sink temperature on J16TE2 detector temperature.



## Preamplifiers

The PA-7 preamplifier offers DC stability, low noise, adjustable gain and wide bandwidth (DC to 50KHz). The PA-9 fixed-gain preamplifier offers lowest noise at higher frequencies (1KHz to 100KHz).

At high frequencies, the detector capacitance and preamp voltage noise contribute significantly to the system noise (Fig. 11-6).

Typical Specifications J16TE Series Thermoelectrically Cooled Ge at specified operating temperature

Model Number	Part Number	Active Size (dia.) (mm)	Operating Temperature	Responsivity @ (A/W)	Shunt Resistance RD @ VR = 10mV		Typical NEP @ peak and 300Hz (pW/Hz <sup>1/2</sup> )	Capacitance CD @ VR = 0V (nF)	Maximum Reverse Voltage VR (V)
					Min.	Typ.			
					(M )	(M )			
<b>J16TE1 Series One-Stage Thermoelectrically Cooled Ge</b>									
J16TE1-P6-R10M-HS		10	-10°C	0.6	0.04	0.08	0.6	12	2
J16TE1-P6-R10M-SC	460191				0.12	0.2	0.3	120	0.25
J16TE1-P6-R13M-HS		13			0.03	0.06	0.7	120	2
J16TE1-P6-R13M-SC	460137				0.06	0.12	0.4	200	0.25
<b>J16TE2 Series Two-Stage Thermoelectrically Cooled Ge</b>									
J16TE2-8A6-R01M-HS	460250	1	-30°C	0.6	15	40	0.04	0.15	10
J16TE2-8A6-R01M-SC	460033-1	1			40	100	0.02	2	0.25
J16TE2-8A6-R02M-HS	460257	2			5	13	0.07	0.6	5
J16TE2-8A6-R02M-SC	460055-1	2			20	50	0.03	8	0.25
J16TE2-8A6-R03M-HS	460156	3			2	4	0.15	1	5
J16TE2-8A6-R03M-SC	460260	3			10	20	0.06	14	0.25
J16TE2-8A6-R05M-HS	460134	5			1	3	0.16	3	5
J16TE2-8A6-R05M-SC	460022-2	5			5	15	0.07	36	0.25



# J16TE Thermoelectrically Cooled Germanium Detectors

Figure 11-1 J16TE1-P6

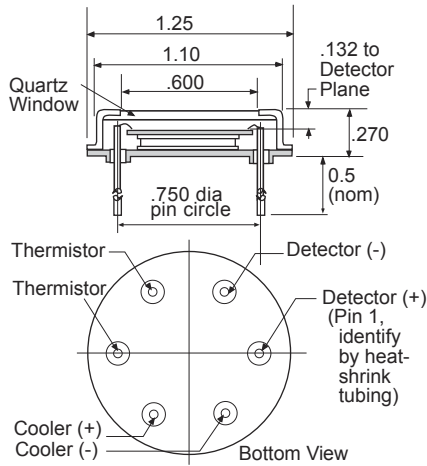


Figure 11-2 J16TE2-8A6

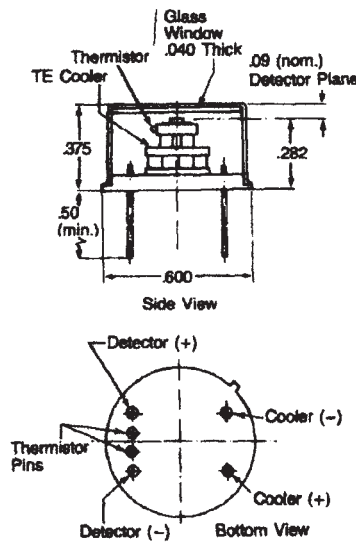


Figure 11-3 J16TE2-66G

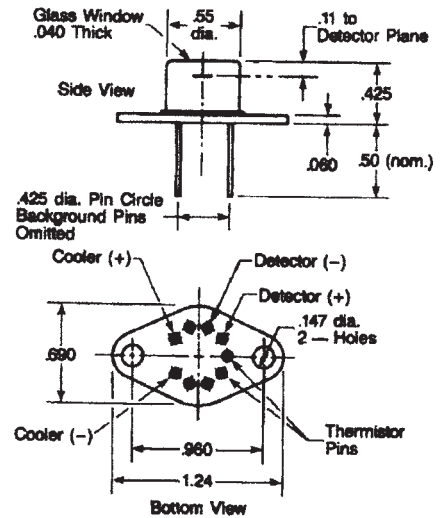


Figure 11-4 "DC Offset Current" vs Temperature (Near 0V Bias)

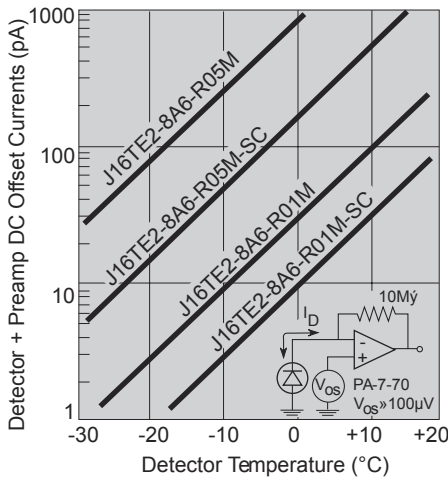


Figure 11-5 Dark Current vs Temperature

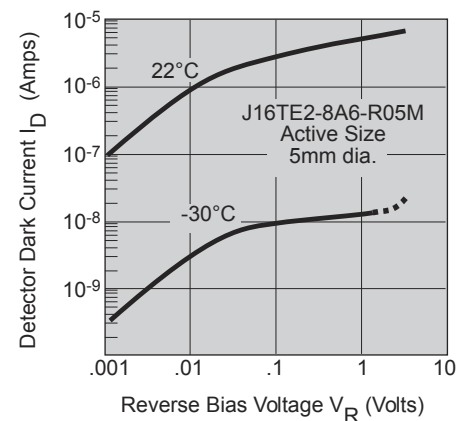


Figure 11-6 Total Noise Equivalent Power vs Frequency (-30°C)

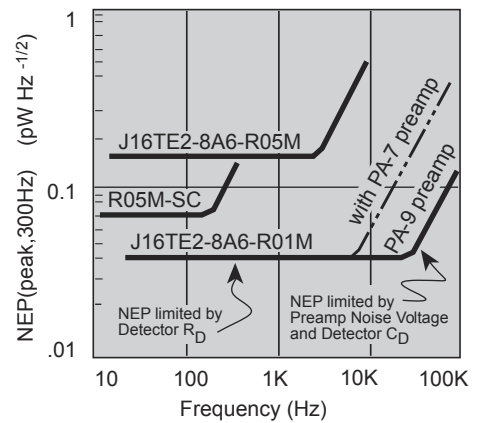


Figure 11-7 J16TE1 Detector Temperature vs TE1 Cooler Current

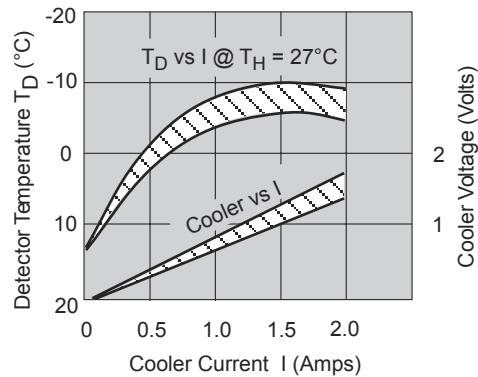


Figure 11-8 J16TE2 Detector Temperature vs TE2 Cooler Current

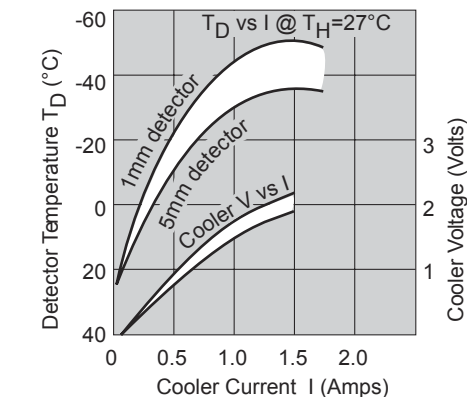
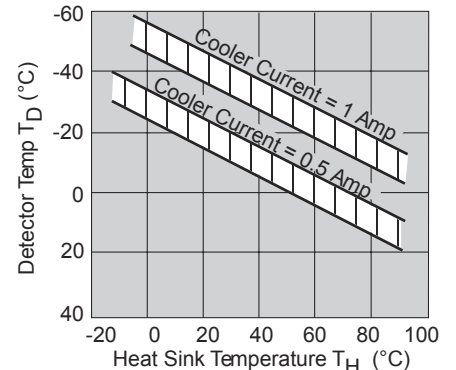


Figure 11-9 J16TE2 Detector Temperature vs Heat Sink Temperature at Constant Current



## General

Current Mode Preamplifiers convert the current output of a photovoltaic Ge, InAs, or InSb detector into a voltage output. They amplify the signal for subsequent use with oscilloscopes, lock-in amplifiers, or A-to-D converters.

Three different preamp models each offer specific advantages, depending on detector type and bandwidth requirements. A comparison of preamp noise figure as a function of detector reactance is graphed in Fig. 53-1.

All units (except multi-channel models) have switch-selectable gain.

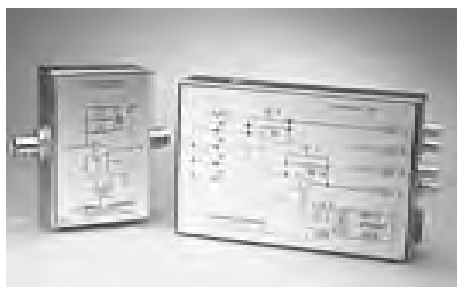
## PA-7

The PA-7 is an excellent general purpose preamplifier for most high shunt resistance ( $R_D > 25K$ ) detectors, including small area J16 Series Ge and all J16TE2 Series cooled Ge. It has extremely low current noise and current offset.

For most applications, the PA-7-70 with high gain of  $10^7$  V/A offers best performance and versatility. However, for applications where  $10^7$  V/A gain is unusable (due to bandwidth or DC saturation), the PA-7-60 or PA-7-50 are suitable alternatives.

## PA-6

The PA-6 is a general purpose preamplifier recommended for intermediate shunt resistance ( $400 < R_D < 50K$ ) detectors, including large area J16 Series room temperature Ge. The PA-6 has very low voltage noise and offset voltage, which significantly reduces low-frequency noise and DC drift. Standard gain settings are listed in the specification table below; custom gain settings are available.

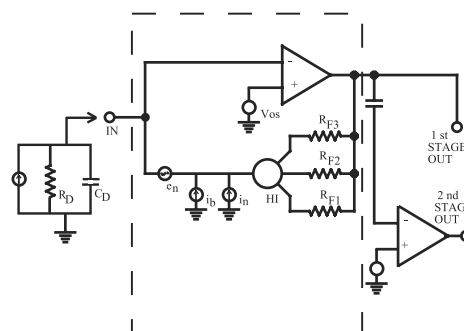


## PA-5

The PA-5 is recommended for low impedance detectors ( $R_D < 400$ ), including J12 Series room temperature InAs and J12TE2 Series InAs. It has extremely low voltage noise and low voltage offset. However, its high current noise and current offset make it unsuitable for detectors with high impedance.

Standard gain is  $10^5$ ,  $10^4$ , and  $10^3$  V/A (switch-selectable). Custom gain settings are available.

Figure 52-1  
Equivalent Circuit for Transimpedance Preamplifier

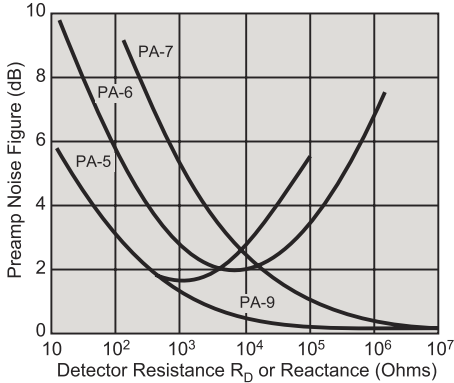


Typical Specifications Model PA-5, PA-6 and PA-7 Current Mode Preamplifiers @25°C

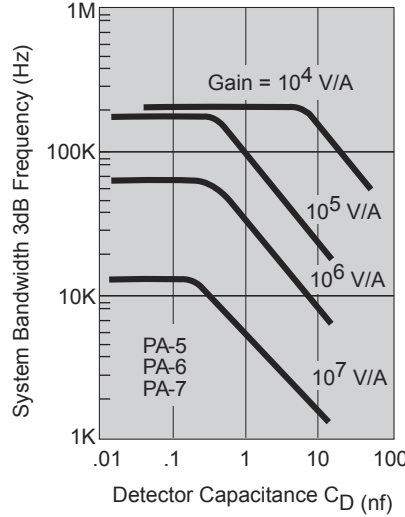
Model		PA-7 Series			PA-6 Series		PA-5	Units
		PA-7-70	PA-7-60	PA-7-50	PA-6-60	PA-6-50	PA-5-50	
Transimpedance Gain: (Switch Selected)	High	$10^7$	$10^6$	$10^5$	$10^6$	$10^5$	$10^5$	V/A
	Med	$10^6$	$10^5$	$2.5 \times 10^4$	$10^5$	$2.5 \times 10^4$	$10^4$	
	Low	$10^5$	$2.5 \times 10^4$	$10^4$	$2.5 \times 10^4$	$10^4$	$10^3$	
Bandwidth	@ High Gain	8	60	150	60	150	200	KHz
$R_D > 10K$ , $C_D < 0.2nF$	@ Med Gain	60	150	200	150	200	200	
(See Figs. 53-2, 53-3)	@ Low Gain	150	200	200	200	200	200	
Input Offset Voltage ( $V_{os}$ )		$\pm 100$	$\pm 100$	$\pm 100$	$\pm 20$	$\pm 20$	$\pm 20$	$\mu V$
Input Bias Current ( $i_b$ )		$\pm 0.001$	$\pm 0.001$	$\pm 0.001$	$\pm 12$	$\pm 12$	$\pm 30$	nA
Voltage Noise Density ( $e_n$ )@1KHz		8	8	8	3	3	1	$nV Hz^{-1/2}$
Voltage Noise from 0.1 to 10Hz		1.5	1.5	1.5	.080	.080	.035	$\mu V_{pp}$
Current Noise Density ( $i_n$ )@1KHz†		.04	.13	.04	.5	.64	1	$pA Hz^{-1/2}$
Output Impedance		$< 100$						Vpp
Maximum Output Voltage		$\pm 10$						
Power Requirements		+12V and -12VDC @ 10mA						
Recommended for Detector Series:		J16, J16TE1, J16TE2, J16D, J10D			J16, J12TE2, J12TE3		J12 J12TE2	

† At High Gain Setting.

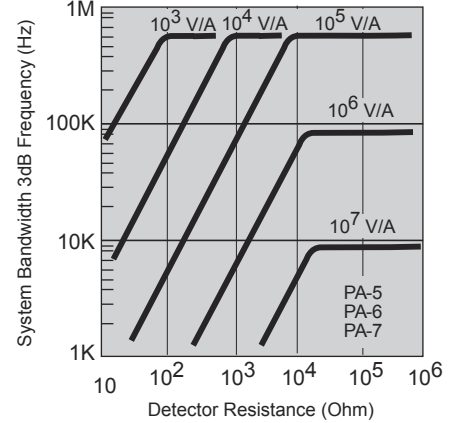
**Figure 53-1**  
Preamplifier Noise Figure @ 1kHz



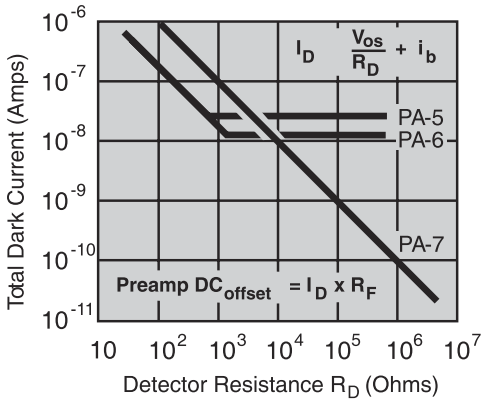
**Figure 53-2**  
System Bandwidth vs Detector Capacitance



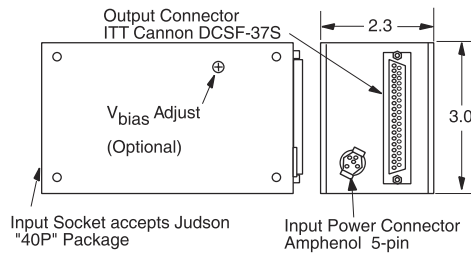
**Figure 53-3**  
System Bandwidth vs Detector Resistance



**Figure 53-4**  
Dark Current vs Resistance and Preamp



**Figure 53-5**  
PA-7:4C, PA-7:16C and PA-7:32C Multi-channel Preamplifier



## PA-7:4C, PA-7:16C, and PA-7:32C

### Multi-Channel Preamplifiers

The PA-7:4C, PA-7:16C and PA-7:32C Series multi-channel preamplifiers are designed primarily for use with Teledyne Judson's Germanium Array Series and X-Y Sensors. The preamp gain is fixed as specified at the time of purchase. Standard gain settings are  $10^7$  or  $10^6$  V/A; others are available on a custom basis. While zero-volt bias is recommended for J16P Series arrays in most applications, the preamp is also available with an optional detector bias adjust. Biasing the photodiodes improves response time and high-power linearity, but also increases dark current.

Typical Specifications Multi-Channel Preamplifiers

Model	# of Channels	Gain (V/A)	Bandwidth (Max) See Figs. 53-2, 53-3
PA-7:4C-70	4	$10^7$	DC to 10KHz
PA-7:16C-70	16		
PA-7:32C-70	32		
PA-7:4C-60	4	$10^7$	DC to 60KHz
PA-7:16C-60	16		
PA-7:32C-60	32		
PA-5:4C-1E3	4	$10^3$	DC to 200KHz

Input Offset Voltage ( $V_{os}$ )	$\pm 200$	$\mu V$
Input Bias Current ( $i_b$ )	$\pm 40$	pA
Voltage Noise Density ( $e_n$ ) @ 1KHz	$18nVHz^{-1/2}$	
Voltage Noise from 0.1 to 10 Hz	2	$\mu V_{pp}$
Current Noise Density† $i_n$ @ 1KHz	$.01pAHz^{-1/2}$	
Output Impedance	< 100	
Maximum Output Voltage	$\pm 10$	V <sub>pp</sub>
Power Requirements	$\pm 15$	VDC
PA-7:4C (4 channel)	@ 40	ma
PA-7:16C (16 channel)	@ 40	ma
PA-7:32C (32 channel)	@ 80	ma
Use with Detector Series:	Ge Arrays	

† At Gain =  $10^7$  V/A. Lower gains increase Current Noise Density.

In addition to our Germanium product line, Teledyne Judson Technologies offers a wide range of high performance standard, custom and space qualified detector products and accessories.

- Indium Arsenide detectors and arrays
- Indium Antimonide detectors and arrays
- Mercury Cadmium Telluride detectors and arrays
- Lead Selenide detectors and arrays
- Lead Sulfide detectors and arrays
- Indium Gallium Arsenide detectors and arrays
- Dewars, backfill and vacuum packages
- Thermoelectric, Joule Thomson and closed cycle linear and rotary coolers
- Preamplifiers
- Temperature controllers and readout electronics

Please contact us for more information on these products at 215-368-6900 or on the web at [www.teledynejudson.com](http://www.teledynejudson.com).



221 Commerce Drive  
Montgomeryville, PA 18936 USA  
Tel: 215-368-6900, Fax: 215-362-6107  
[www.teledynejudson.com](http://www.teledynejudson.com)  
July, 2003