

PMD-MXT Series Digital Temperature Scanner Indicator

Features

- Accepts 8, 16, 24 or 32 input channels
- Visible high & low temperature alarm LEDs
- Displays in °F or °C (field selectable)
- RS-485 Communications for remote operation
- Independent dual HI/LO temperature alarms

Applications

- Factory Automation
- Process Control
- R&D Testing



Overview

The PMD-MXT series Thermocouple/RTD scanner is perfect for any multi-point temperature measurement application. The bright red LED display is easy to read, even at a distance.

Splash-resistant front panel keypad is easy to clean & wipe down.

The indicator has 2 user-selectable HI/LO, HI/HI, or LO/LO alarm set points, configured through the front panel push buttons. During an alarm condition a front panel LED annunciator is enabled & an internal 2 Amp relay contact output is engaged.

The indicator display will cycle through all input channels at a user determined rate of 0.5~10 seconds.

24 VDC powered. A must have for multi-point temperature monitoring in the Lab, control room, or Dynamometer.

Specifications

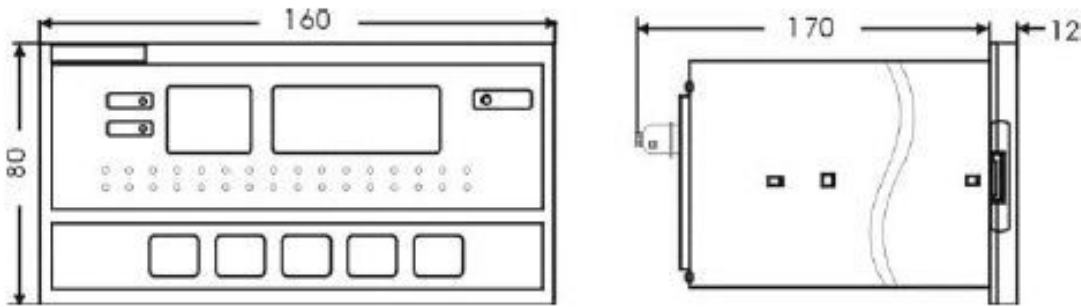
Input type:	RTD: PT100, CU100, CU50
	Thermocouple: J, K, T, B, E, N, R, S
Accuracy:	RTD: +/- 1.0% of full scale
	Thermocouple: +/- 0.3% of full scale
Resolution:	RTD (0.1° Res): -167.9 to +999.9°F (-189.9 to +596.9°C)
	TC (0.1° Res): -167.9 to +999.9°F (-199.9 to +999.9°C)
	TC (1° Res): -412 to 3271°F (-257 to 1800°C)
Display:	4-digit LED, 0.56 inch (14 mm high)
Sample Rate:	0.1 second per channel
Power:	20 to 28 VDC @ 400 mA (nominal)
Dimensions:	6.3 inch x 3 inch x 7 inch (160 mm x 80 mm x 182 mm) (Cutout: 6 inch x 3 inch (152 mm x 76 mm))
Weight:	2 pounds (900 grams)
Relay contact:	250 VAC @ 2 amps (resistance load)
Environment:	0 to 50°C, 90% Max. RH (non-condensing)

PMD-MXT Series Digital Temperature Scanner Indicator

Specifications (continued)

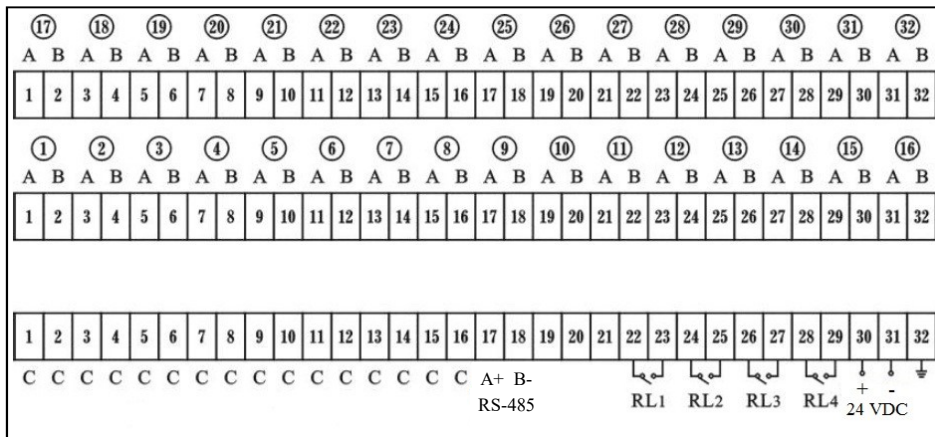
Measuring Range:	PT100:	-167.9 to +999.9°F	(-189.9 to +596.9°C)
	B:	+1050 to 3243°F	(+566 to +1784°C)
	E:	-317 to +1502°F	(-194 to +817°C)
	J:	-319 to 1988°F	(-195 to +1087°C)
	K:	-328 to 2498°F	(-200 to +1370°C)
	N:	-328 to 2370°F	(-200 to +1299°C)
	R:	-40 to +3169°F	(-40 to +1743°C)
	S:	-24 to 3153°F	(-31 to +1734°C)
	T:	-320 to 752°F	(-196 to +400°C)

Dimensions



(Dimensions in mm)

Rear Panel Wiring Schematic



Ordering Information

Model	Input Channels	Input Type
PMD-MXT	-XX	-XXX
	08 8 channels	RTD RTD
	16 16 channels	THC Thermocouple
	24 24 channels	
	32 32 channels	

Ordering Example

PMD-MXT-24-RTD: 24 input channels, RTD input type